

## Desk Mount Accessory Shelf for Laptops and Telephones

For more information please visit [www.btechavmounts.com/BT6045](http://www.btechavmounts.com/BT6045)

**BT6045**

**PRO  
INSTALL**



**PLATFORM DIMENSIONS**

**WIDTH:** 250mm (9.8")  
**HEIGHT:** 250mm (9.8")

## BT6045

### Desk Mount Accessory Shelf For Laptops and Telephones

**Designed to create an ergonomic workstation for a laptop computer and telephone up to 9kg (20lbs)**

- Fits to mounts with VESA® mounting patterns: 75 x 75mm and 100 x 100mm
- Ventillation slots help prevent overheating of devices
- Platform dimensions: W: 250mm (9.8") x H: 250mm (9.8")
- Simple installation with all fixings included
- Available in a stylish Graphite Black finish
- *Recommended for use with B-Tech Desk Mount range: BT7372 / BT7373 / BT7374 / BT7382 / BT7383 / BT7384 / BT7399 with BT7398 (Available Separately)*



Example installation using BT7384



Example installation using BT7399  
& B-Tech desk mount arm

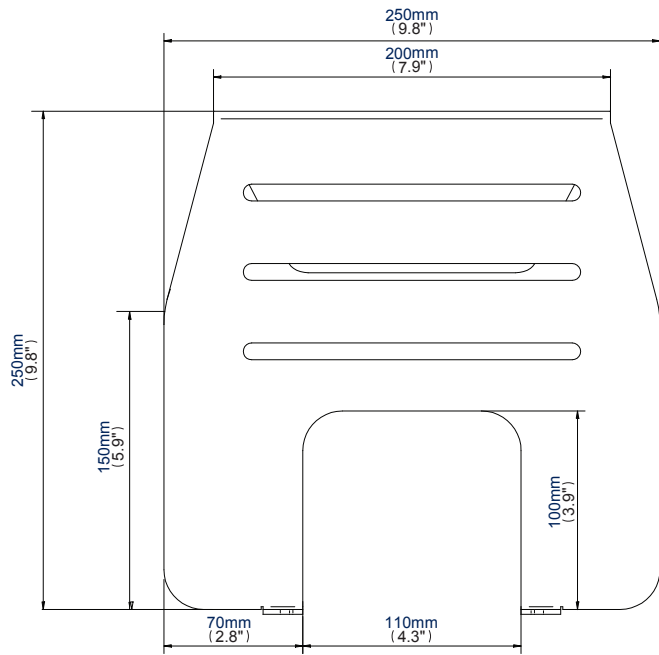


Create more desk space using BT6045 along with the B-Tech Desk Mount range

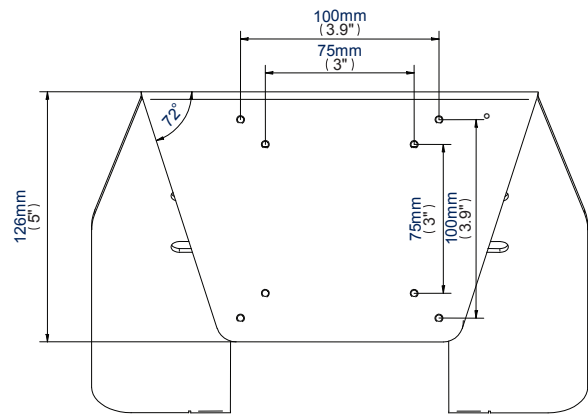
### Desk Mount Accessory Shelf for Laptops and Telephones

For more information please visit [www.btechavmounts.com/BT6045](http://www.btechavmounts.com/BT6045)

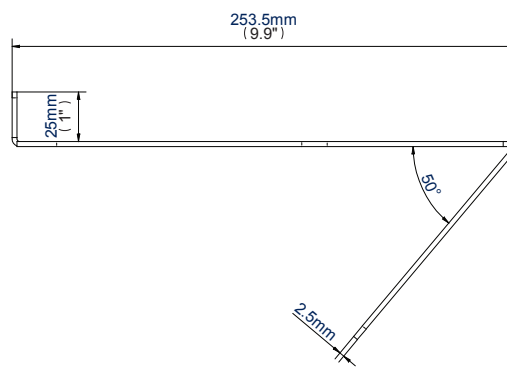
**BT6045**



**Front View**



**Rear View**



**Side View**

Colour:	Order Ref:	EAN Code:	Master Carton Qty:	Inner Carton Qty:	Carton Weight:	Carton Cube:
Graphite Black	BT6045/GB	5019318758843	N/A	N/A	1.37kg (3.02lbs)	0.007cbm (0.274cuft)

**This information is intended as a guide only and reflects the current specification at the time of print. B-Tech accepts no liability for the accuracy of the information contained in this document.**