

Medium Flat Screen Wall Mount

For more information please visit www.btechavmounts.com/BTV500

BTV500

Registered Design Number: 001713280-0020



BTV500

Medium Flat Screen Wall Mount

Designed for screens up to 42" (107cm) / 40kg (88lbs)

- Fits screens with mounting patterns up to: H: 225mm (8.6") x V: 200mm (7.9") including VESA® patterns up to 200 x 200mm
- Low profile design mounts screen only 20mm (0.8") from wall
- Includes locking bar for secure installation
- Suitable for concrete, brick or stud walls up to 10"
- Post-installation screen alignment
- Simple hook-on installation with all mounting hardware included
- Available in Black



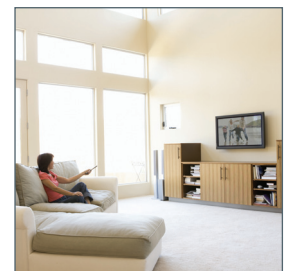
Low profile design mounts screen only 20mm (0.8") from wall



Locking bar for secure installation*



Available in Black



Easy to install in any home

*Padlock not included

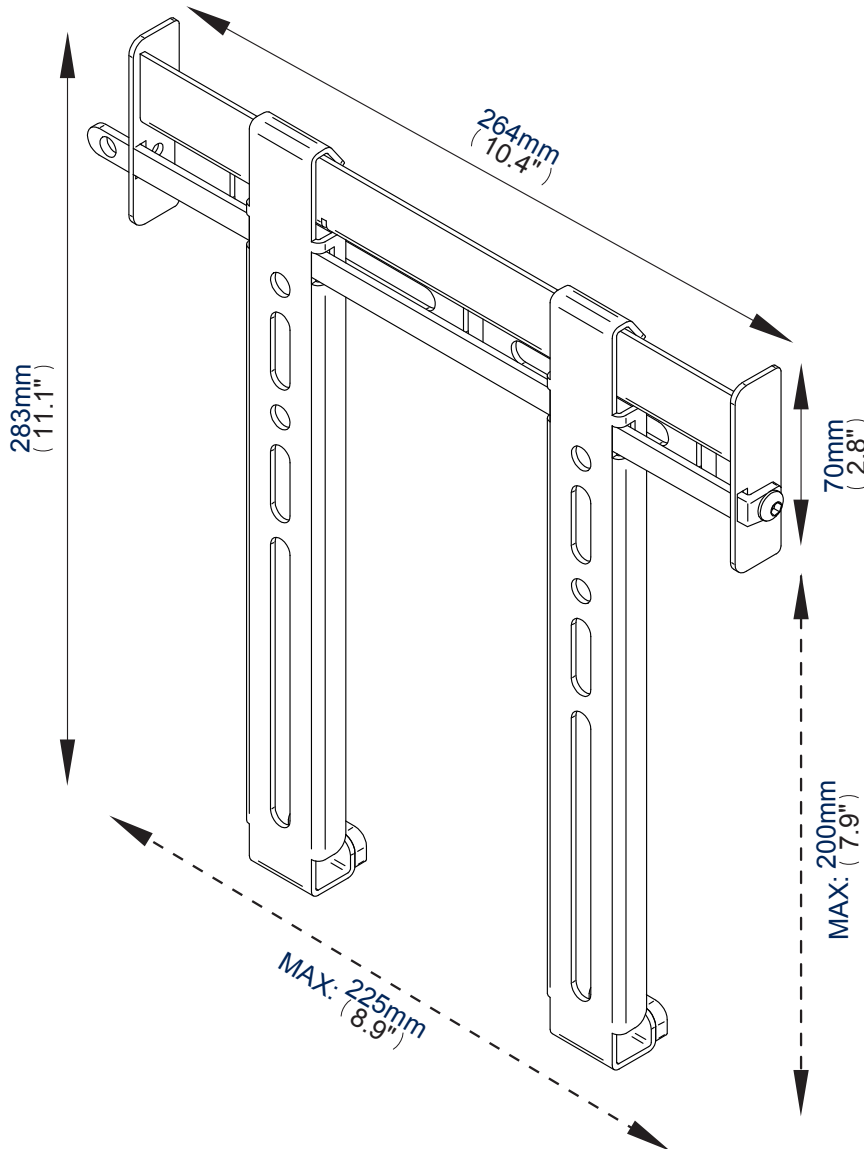


Medium Flat Screen Wall Mount

For more information please visit www.btechavmounts.com/BTV500

BTV500

Registered Design Number: 001713280-0020



Colour:	Order Ref:	EAN Code:	Master Carton Qty:	Inner Carton Qty:	Master Carton Weight:	Master Carton Cube:
Black	BTV500/B	5019318440014	6	N/A	8.42kg (18.56lbs)	0.012cbm (0.437cuft)

**This information is intended as a guide only and reflects the current specification at the time of print.
B-Tech accepts no liability for the accuracy of the information contained in this document.**

© 2011 B-Tech International Limited. All rights reserved.
The information in this specification sheet reflects the current technical specifications at the time of print. We reserve the right to change the technical or physical specifications without prior notice.
The B-Tech name, the B-Tech logo, Better by Design and Ventry are all registered trademarks of B-Tech International Ltd. All other brands and products are trademarks of their respective owners.
All B-Tech images and symbols are exclusive property of B-Tech International Ltd. B-Tech accepts no liability for loss or damage caused by improper installation or mounting on unstable structures.
Any reproduction or retransmission or republication of any part of this specification sheet is strictly prohibited, unless prior written permission has been granted by B-Tech International Ltd. E&OE.