

INSTRUCTIONS FOR QUALIFIED PERSONNEL ONLY

MOUNTING SPEAKERS

1) Mounting the bracket to the wall

WARNING:

The operation of your speaker cabinet as part of a flown system, if installed incorrectly and improperly, can potentially expose persons to serious health risks and even death. Please ensure that electrical, mechanical and acoustic considerations are discussed with qualified and certified (by local, state or national authorities) personnel prior to any installation or flying. Make sure that speaker cabinets are set up and flown by qualified and certified personnel only, using dedicated equipment and original parts and components delivered with the unit. If any parts or components are missing please contact your dealer before attempting to set up the system.

Be sure to observe the local, state and other safety regulations applicable in your country. We (BEHRINGER International GmbH including the BEHRINGER companies listed on the enclosed Service Information Sheet) assume no liability for any damage or personal injury resulting from improper use, installation or operation of the product! Regular checks must be conducted by qualified personnel to ensure that the system remains in a secure and stable condition. Make sure that the speaker is not suspended overhead of people. Do not fly the speaker in areas which can be entered or used by members of the public.

 **Speakers create a magnetic field, even if not in operation. Therefore, please keep all materials which can be affected by such fields (disks, computers, monitors etc.) at a safe distance of 1 to 2 meters.**

2) Attaching the loudspeaker to the bracket

Fasten the supplied cylindrical fitting to the bracket's bottom arm with one of the two wing screws. Place the loudspeaker's bottom-end flange onto the fitting. Next, move the bracket until the hole in the upper arm is centered above the loudspeaker's top-end opening. Then, tightly fasten the top end of the loudspeaker with the second wing screw provided.

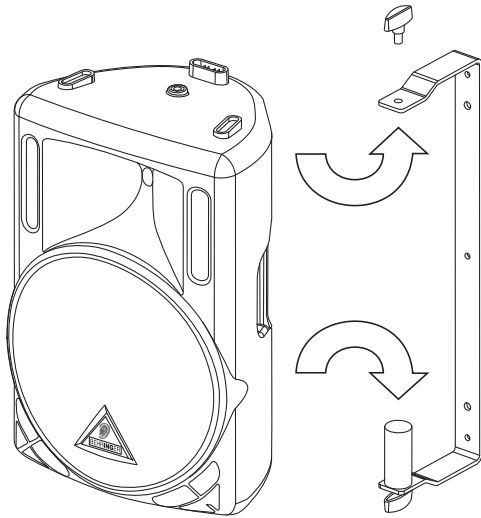


Fig. 1: Attaching the loudspeaker to the bracket

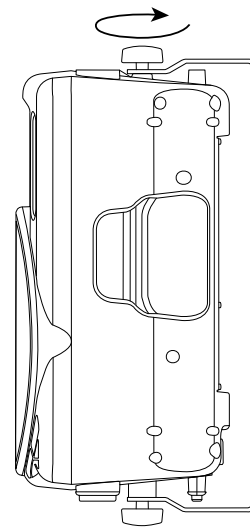


Fig. 2: Fastening the upper wing screw

Technical specifications and appearance are subject to change without notice. The information contained herein is correct at the time of printing. BEHRINGER accepts no liability for any loss which may be suffered by any person who relies either wholly or in part upon any description, photograph or statement contained herein. Colors and specifications may vary slightly from product. Our products are sold through authorized dealers only. Distributors and dealers are not agents of BEHRINGER and have absolutely no authority to bind BEHRINGER by any express or implied undertaking or representation. This manual is copyrighted. No part of this manual may be reproduced or transmitted in any form or by any means, electronic or mechanical, including photocopying and recording of any kind, for any purpose, without the express written permission of BEHRINGER International GmbH.

ALL RIGHTS RESERVED. © 2008 BEHRINGER International GmbH,
Hanns-Martin-Schleyer-Str. 36-38, 47877 Willich-Muenchheide II, Germany.
Tel. +49 2154 9206 0, Fax +49 2154 9206 4903