



Single-Ended Cordsets

#18 AWG yellow AWM 2661 cable – auto color code
 Oil-resistant PVC jacket
 Low-resistance contact design with gold/palladium nickel plating

NEW	3P	4P	5P
FEMALE FACE VIEW			
COLOR CODE	1- green-gnd 2- red w/ black trace 3- red w/ white trace	1- red w/ black trace 3- red 2- red w/ white trace 4- green-gnd	1- red w/ white trace 4- red w/ yellow trace 2- red 5- red w/ black trace 3- green-gnd
VOLTAGE	300V AC/DC	300V AC/DC	300V AC/DC
CURRENT	10A	7A	5.6A
CONDUCTOR	#18-3	#18-4	#18-5

FEMALE	FIG	SINGLE-ENDED CORDSETS WITH #18 AWG PVC CABLE 3 FEET LONG		
STRAIGHT	1	103000A03F030	104000A03F030	105000A03F030
90°	2	103001A03F030	104001A03F030	105001A03F030
MATING RECEPTACLE*	5	1R3006A17A120	1R4006A17A120	1R5006A17A120
MALE	FIG	SINGLE-ENDED CORDSETS WITH #18 AWG PVC CABLE 3 FEET LONG		
STRAIGHT	3	103002A03F030	104002A03F030	105002A03F030
90°	4	103003A03F030	104003A03F030	105003A03F030
MATING RECEPTACLE*	5	1R3004A17A120	1R4004A17A120	1R5004A17A120

CATALOG OPTIONS

*See Page 58 for additional Mating Receptacles

Use the following chart to modify your part's specifications

103000A03F0301

CABLE LENGTH

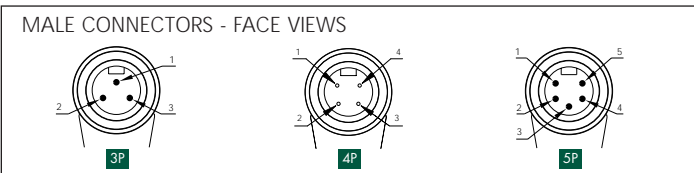
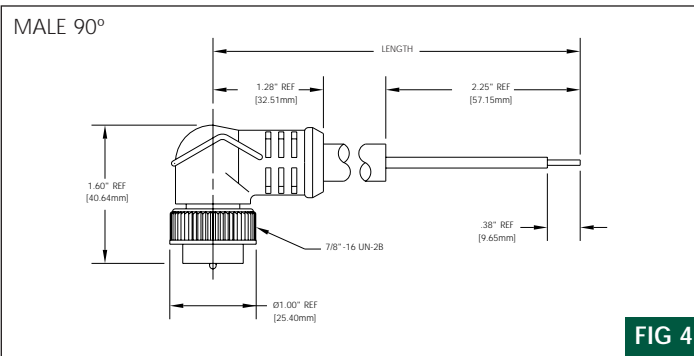
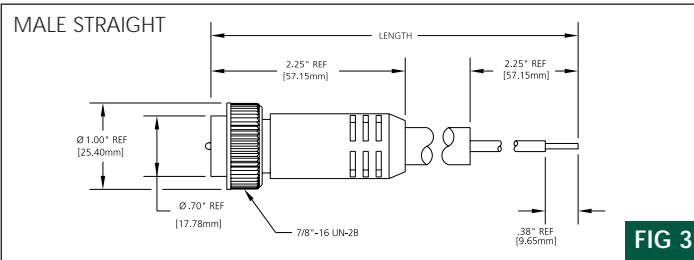
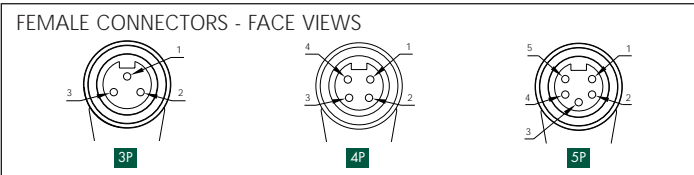
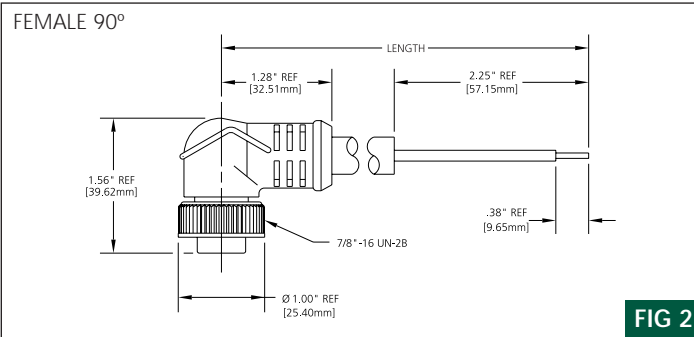
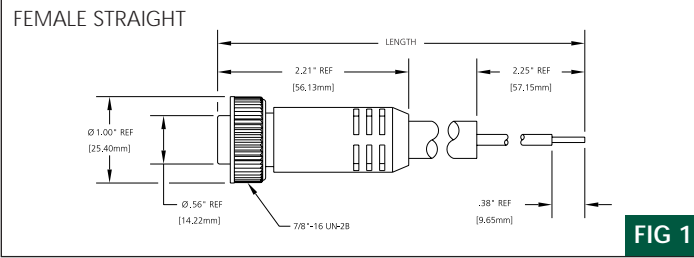
6'	060
12'	120
20'	200

COUPLING NUT

STAINLESS STEEL	ADD 1
NON-METALLIC	ADD 2

Specifications

CONNECTOR DIMENSIONS



MECHANICAL

CONNECTOR FACE: PVC - UL STD 94 - V0
 MOLDED BODY: PVC - UL STD 94 - V0
 COUPLING NUT: ZINC DIECAST W/ BLACK EPOXY COAT, OPTIONAL STAINLESS STEEL TYPE 303 OR NON-METALLIC GRAY NYLON 6/6

CABLE: YELLOW, #18 AWG, PVC JACKET & PVC CONDUCTOR INSULATION OVER 41 X #34 COPPER STRANDING, 300V, UL STYLE 2661 CSA AWM I/II A/B

OUTSIDE DIAMETER: 3P - .28" (7.1mm)
 4P - .28" (7.1mm)
 5P - .28" (7.1mm)

ELECTRICAL

VOLTAGE RATING: 300 V AC/DC
 AMPERAGE: 3P - 10A
 4P - 7A
 5P - 5.6A

ENVIRONMENTAL

PROTECTION: IP 68, NEMA 6P
 AMBIENT OPERATING TEMP: -4° TO 221° F (-20° TO 105° C)

CERTIFICATIONS

UL: UL RECOGNIZED, FILE NO.E46237
 CSA: CSA CERTIFIED, FILE NO.LR6837

RECEPTACLE DIMENSIONS

