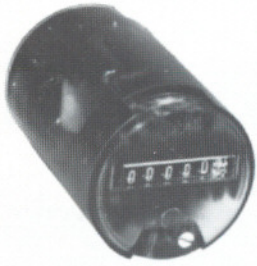


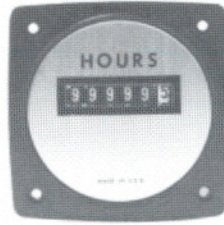
YOKOGAWA ◆ Elapsed Time Meters



Back of Panel
Unmounted



New Big Look
Panel Mounted



Square Case



Round Case



Conduit Case

Specifications

Accuracy: Matches frequency control of power system.

Vibration Shock: Meets ANSI Specification C39.1

Materials: Case of clear Polycarbonate, frame of black Polycarbonate, brass terminal studs, Polycarbonate front covers.

Safety: Type 240 elapsed-time meters are recognized under the Component Program of Underwriters' Laboratories. (UL File #E44857) & CSA

Input Range: All Type 240 models available to operate on 120 or 208/240 or 480 volts AC, 50 or 60 Hertz.

Sealing: All non-reset Type 240 models are weather resistant. Sealed window and no-through screw holes for flange or back-of-panel mounting protect motor, counter, and gearing from rain or panel wash-down.

Presentation: 6-digit counter in $\frac{3}{32}$ " high hours and tenths of hours or minutes and tenths of minutes.

Insulation Level: Operating at 120, 208, 240 or 480 volts AC, will pass Hi-pot of 2000 VRMS for one minute.

Burden: 3 Watts typical.

Dimensions: See pages 38 & 39.

Motor: Telechron, Model S-1.

Features:

- Back-of-panel model
- 2½" and 3½" New Big Look models
- 2½" and 3½" Round and Square models
- Conduit-case models
- Complete interchangeability physically and electrically with most GE Types 235 and 236 models
- Optional 3 stud mounting is available on 3½" New Big Look style 240 meters only.

Motor Volt AC	Nonreset Type		Reset Type	
	Register in Minutes	Register in Hours	Register in Minutes	Register in Hours

2½-INCH NEW BIG LOOK — 60Hz

120	240 213 AAAB	240 211 AAAB	240 214 AAAB	240 212 AAAB
208/240	240 213 ABAB	240 211 ABAB	240 214 ABAB	240 212 ABAB
480	240 213 ACAB	240 211 ACAB	240 214 ACAB	240 212 ACAB

3½-INCH NEW BIG LOOK — 60 Hz

120	240 313 AAAB	240 311 AAAB	240 314 AAAB	240 312 AAAB
208/240	240 313 ABAB	240 311 ABAB	240 314 ABAB	240 312 ABAB
480	240 313 ACAB	241 311 ACAB	240 314 ACAB	240 312 ACAB

SQUARE CASE 2½-INCH — 60 Hz

120	240 613 AAAD	240 611 AAAD	240 614 AAAD	240 612 AAAD
208/240	240 613 ABAD	240 611 ABAC	240 614 ABAD	240 612 ABAD
480	240 613 ACAD	240 611 ACAD	240 614 ACAD	240 612 ACAD

SQUARE CASE 3½-INCH — 60 Hz

120	240 713 AAAD	240 711 AAAD	240 714 AAAD	240 712 AAAD
208/240	240 713 ABAD	240 711 ABAD	240 714 ABAD	240 712 ABAD
408	240 713 ACAD	240 711 ACAD	240 714 ACAD	240 712 ACAD

ROUND CASE 2½-INCH — 60 Hz

120	240 633 AA AE	240 631 AA AE	240 634 AA AE	240 632 AA AE
208/40	240 633 AB AE	240 631 AB AE	240 634 AB AE	240 632 AB AE
480	240 633 AC AE	240 631 AC AE	240 634 AC AE	240 632 AC AE

ROUND CASE 3½-INCH — 60 Hz

120	240 733 AA AE	240 731 AA AE	240 734 AA AE	240 732 AA AE
208/40	240 733 AB AE	240 731 AB AE	240 734 AB AE	240 732 AB AE
480	240 733 AC AE	240 731 AC AE	240 734 AC AE	240 732 AC AE



BACK-OF-PANEL — 60 Hz

120 208/240 480	240 003 AAAA 240 003 ABAA 240 003 ACAA	240 001 AAAA 240 001 ABAA 240 001 ACAA	240 004 AAAA 240 004 ABAA 240 004 ACAA	240 002 AAAA 240 002 ABAA 240 002 ACAA
-----------------------	--	--	--	--

CONDUIT-MOUNTED CASE 2½-INCH — 60 Hz†

120 208/240 480	240 253 AA AF 240 253 AB AF 240 253 AC AF	240 251 AA AF 240 251 AB AF 240 251 AC AF		
-----------------------	---	---	--	--

† Replacement meters for conduit-mounted case models not available as a separate item. However, motors can be supplied as a renewal part.

50-HERTZ RATINGS FOR NEW BIG LOOK

For 50 Hz service simply select the identical 60 Hz catalog number and change letters 7 & 8 as follows:

240213 * * AB

- AA = 120V, 60 Hz
- AB = 208/240V, 60 Hz
- AC = 480V, 60 Hz
- AD = 120V, 50 Hz
- AE = 208/240V, 50 Hz
- AF = 480V, 50 Hz

OPTIONAL 3-STUD MOUNTING

For 3-stud mounting option (3½" New Big Look only) simply select the identical 4-stud catalog number and change letters 9 & 10 as follows:

240313AA**

- AB = Std 4 stud mounting
- AC = Optional 3 stud mounting

Conduit case #2579K10G0700 can be ordered as a replacement item for the 240 25***** elapsed time meter assembly or for use with a 2½" Big Look meter.

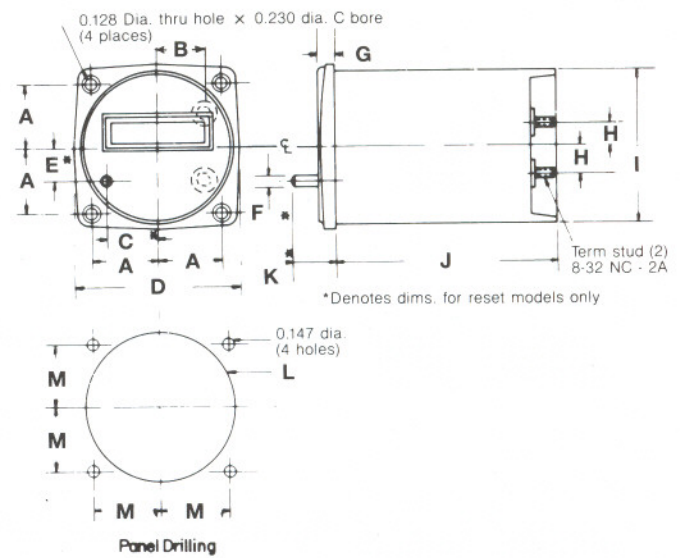
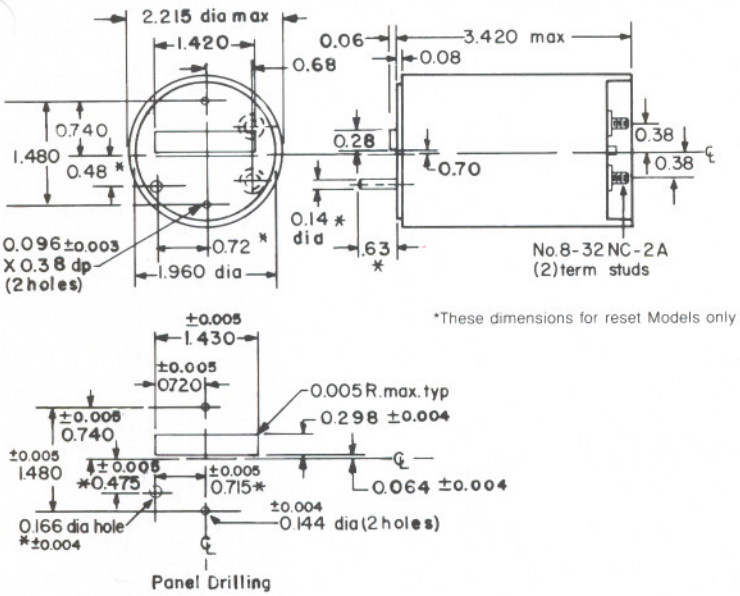
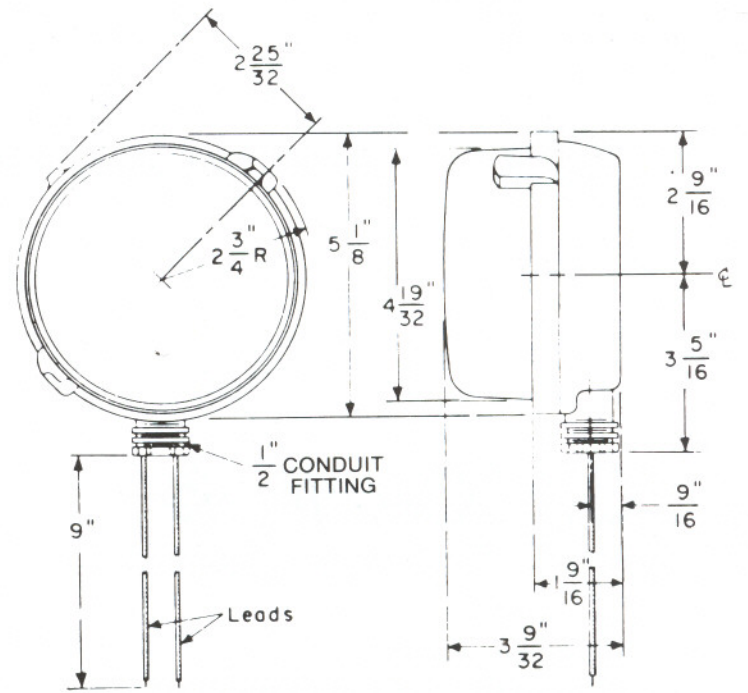
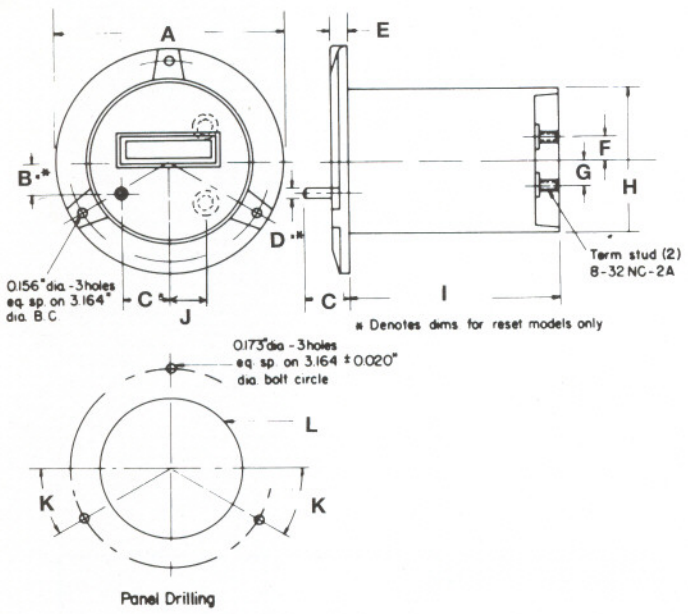


Fig. 21. Type 240 Back-of-panel model

DIM	A	B	C	D	E	F	G	H	I	J	K	L	M
2 1/2 BL	.94	.68	.72	2.38	.48	.14	.25	.38	2.215	3.286	.76	2.22	.94
3 1/2 BL	1.12	.68	.72	3.0	.48	.14	.25	.38	2.215	3.286	.76	2.22	1.125

Fig. 22. Type 240 square case

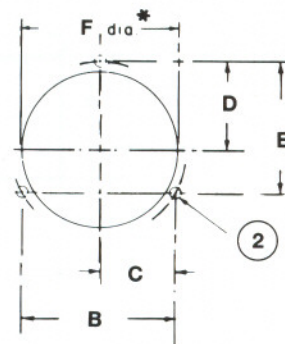
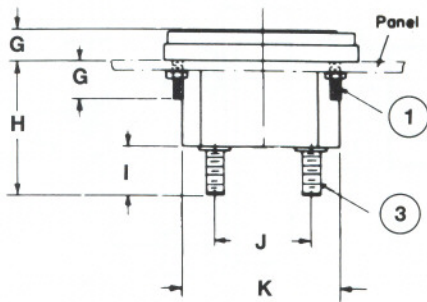
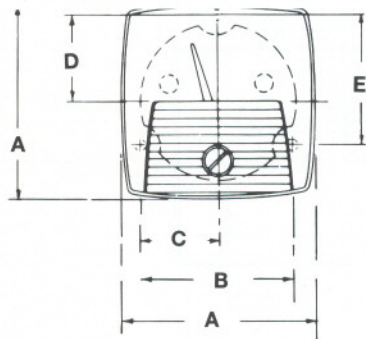


SIZE	DIM	A	B	C	D	E	F	G	H	I	J	K	L
2 1/2 BL		2.68	.48	.72	.14	.21	.38	.38	2.215	3.33	.68	30°	2.22
3 1/2 BL		3.51	.48	.72	.14	.22	.38	.38	2.215	3.32	.68	30°	2.22

Fig. 23. 2 1/2-3 1/2-inch Type 240 round case

Fig. 24. Type 240 conduit-mounted case

Fig. 2. New Big Look 2½-inch Types 250 & 254
*2.270 dia. with shield

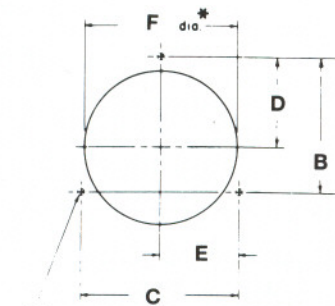
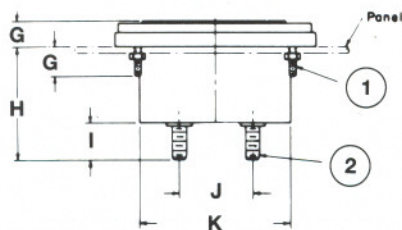
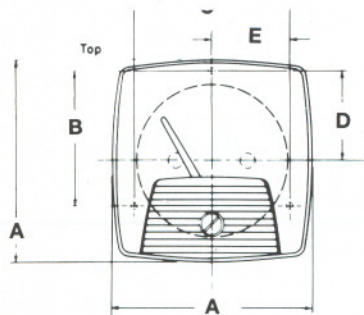


el Drilling

A	B	C	D	E	F*	G	H	I	J	K
2.69	2.112	1.056	1.219	1.829	2.17	.5	1.85	.67	1.318	2.15

1. No. 4-40 NC 2A (3 Studs)
2. .140" dia. (No. 28) (3 holes)
3. 1/4" -28 NF 2A thd.

Fig. 3. New Big Look 3½-inch Types 250 & 254
*2.860 dia. with shield

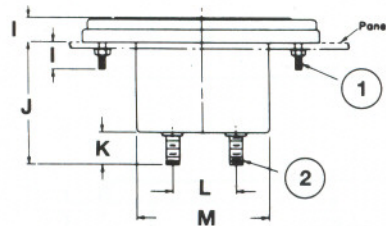
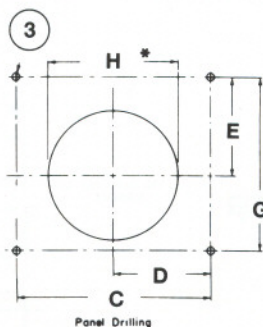
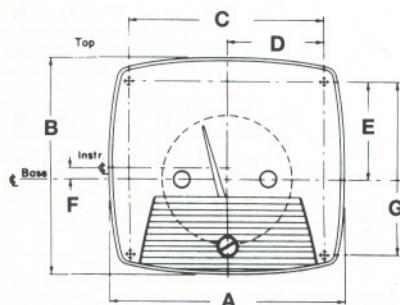


Panel Drilling

A	B	C	D	E	F*	G	H	I	J	K
3.5	2.373	2.74	1.582	1.37	2.72	.5	1.85	.64	1.318	2.7

1. No. 4-40 NC 2A (3 Studs)
2. 1/4" - 28 NF 2A thd.
3. .140" dia. (No. 28 dr.) (3 holes)

Fig. 4. New Big Look 4½-inch Types 250 & 254
*2.860 dia. with shield



1. No. 4-40 NC 2A (4 Studs)
2. 1/4" - 28 NF 2A thd.
3. .140" dia. (No. 28 dr.) (4 holes)

A	B	C	D	E	F	G	H*	I	J	K	L	M
4.85	4.41	4	2	2.031	.25	3.562	2.72	.5	1.85	.64	1.318	2.7