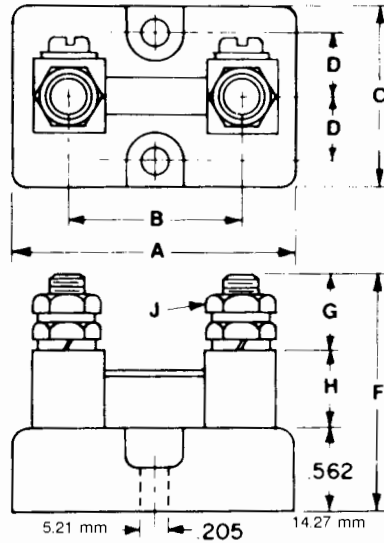
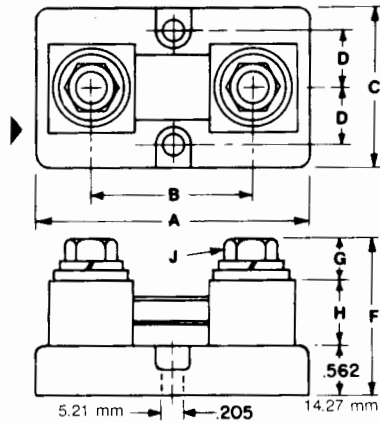


TM 5 THROUGH 150 AMPERES
TM 5 - a 150 AMPERES



TM 170 THROUGH 1200 AMPERES
TM 170 - a 1200 AMPERES



50 mV MODEL / LIGHT WEIGHT / 5 THROUGH 1200 AMPERES / TYPE TM 5 a 1200 AMPERES / TIPO LIGERO

CATALOG No. No. CATALOGO	AMP	A		B		C		D		F		G		H		J	
		mm	in	mm	in	mm	in	mm	in	mm	in	mm	in	mm	in	mm	in
TM-5-50	5	50.8	2	25.4	1	31.75	1 1/4	11.1	.437	42.88	1.688	15.88	.625	12.7	1/2	6.35-28	1/4-28
TM-10-50	10	50.8	2	25.4	1	31.75	1 1/4	11.1	.437	42.88	1.688	15.88	.625	12.7	1/2	6.35-28	1/4-28
TM-15-50	15	50.8	2	25.4	1	31.75	1 1/4	11.1	.437	42.88	1.688	15.88	.625	12.7	1/2	6.35-28	1/4-28
TM-20-50	20	50.8	2	25.4	1	31.75	1 1/4	11.1	.437	42.88	1.688	15.88	.625	12.7	1/2	6.35-28	1/4-28
TM-30-50	30	50.8	2	25.4	1	31.75	1 1/4	11.1	.437	42.88	1.688	15.88	.625	12.7	1/2	6.35-28	1/4-28
TM-50-50	50	50.8	2	25.4	1	31.75	1 1/4	11.1	.437	42.88	1.688	15.88	.625	12.7	1/2	6.35-28	1/4-28
TM-75-50	75	50.8	2	25.4	1	31.75	1 1/4	11.1	.437	42.88	1.688	15.88	.625	12.7	1/2	6.35-28	1/4-28
TM-80-50	80	50.8	2	25.4	1	31.75	1 1/4	11.1	.437	42.88	1.688	15.88	.625	12.7	1/2	6.35-28	1/4-28
TM-85-50	85	50.8	2	25.4	1	31.75	1 1/4	11.1	.437	42.88	1.688	15.88	.625	12.7	1/2	6.35-28	1/4-28
TM-100-50	100	50.8	2	25.4	1	31.75	1 1/4	11.1	.437	42.88	1.688	15.88	.625	12.7	1/2	6.35-28	1/4-28
TM-150-50	150	50.8	2	25.4	1	31.75	1 1/4	11.1	.437	42.88	1.688	15.88	.625	12.7	1/2	6.35-28	1/4-28
TM-170-50	170	82.55	3 1/4	38.1	1 1/2	44.45	1 3/4	15.88	.625	44.45	1 3/4	11.13	.438	19.05	3/4	9.53-16 x 15.88	3/8-16 x 5/8
TM-200-50	200	82.55	3 1/4	38.1	1 1/2	44.45	1 3/4	15.88	.625	44.45	1 3/4	11.13	.438	19.05	3/4	9.53-16 x 15.88	3/8-16 x 5/8
TM-250-50	250	82.55	3 1/4	38.1	1 1/2	44.45	1 3/4	15.88	.625	44.45	1 3/4	11.13	.438	19.05	3/4	9.53-16 x 15.88	3/8-16 x 5/8
TM-300-50	300	82.55	3 1/4	38.1	1 1/2	44.45	1 3/4	15.88	.625	44.45	1 3/4	11.13	.438	19.05	3/4	9.53-16 x 15.88	3/8-16 x 5/8
TM-400-50	400	82.55	3 1/4	38.1	1 1/2	44.45	1 3/4	15.88	.625	44.45	1 3/4	11.13	.438	19.05	3/4	9.53-16 x 15.88	3/8-16 x 5/8
TM-450-50	450	82.55	3 1/4	38.1	1 1/2	44.45	1 3/4	15.88	.625	44.45	1 3/4	11.13	.438	19.05	3/4	9.53-16 x 15.88	3/8-16 x 5/8
TM-500-50	500	82.55	3 1/4	38.1	1 1/2	44.45	1 3/4	15.88	.625	44.45	1 3/4	11.13	.438	19.05	3/4	9.53-16 x 15.88	3/8-16 x 5/8
TM-600-50	600	82.55	3 1/4	38.1	1 1/2	44.45	1 3/4	15.88	.625	44.45	1 3/4	11.13	.438	19.05	3/4	9.53-16 x 15.88	3/8-16 x 5/8
TM-800-50	800	114.3	4 1/2	54.86	2.16	63.5	2 1/2	25.4	1	53.98	2.125	14.28	.562	25.4	1	12.7-13 x 22.23	1/2-13 x 7/8
TM-1000-50	1000	114.3	4 1/2	54.86	2.16	63.5	2 1/2	25.4	1	53.98	2.125	14.28	.562	25.4	1	12.7-13 x 22.23	1/2-13 x 7/8
TM-1200-50	1200	114.3	4 1/2	54.86	2.16	63.5	2 1/2	25.4	1	53.98	2.125	14.28	.562	25.4	1	12.7-13 x 22.23	1/2-13 x 7/8

Dimensions in mm (inches). Tolerances ± 0.381 mm (0.015 in) for hole diameters, other tolerances ± 0.762 mm (0.030 in) unless otherwise noted. Dimensions are subject to change without notice.

Las dimensiones están en milímetros (pulgadas) con tolerancia ± 0.381 mm (0.015 in) para los diámetros de los barrenos, para las demás medidas 0.762 mm (0.030 in) a menos de que se especifique otra. Las dimensiones pueden variar sin previo aviso.