

AND8226/D

Nonisolated Positive Output Buck AC/DC Converter

Prepared by: Jan Grulich
ON Semiconductor



ON Semiconductor®

<http://onsemi.com>

APPLICATION NOTE

This application note describes the way, how to easily design the simple, non isolated AC/DC converter for powering low voltage control part of mains applications with triac, or SCR power switch. Some examples are: dishwashers, microwave ovens, coffee machines, night illumination and so on. In comparison with resistive, or capacitive dropper is this solution more comfortable and features some advantages such as:

- Wide Input Voltage Range 85 VAC – 265 VAC
- Smaller Size, Lower Weight, Lower Total Cost
- Good Line and Load Regulation, No Need of Additional Linear Regulators
- Efficient Design with Up to 80% Efficiency
- Overload, Short-Circuit and Thermal Protected
- Simple for Low Cost Mass Production
- Universal Design for Wide Range of Output Currents and Voltages

The monolithic power switcher, used in this application, greatly simplifies the total design and reduces time to production. The new line of the Power Switchers, NCP1010 through NCP1014, is ideal for this purpose. This IC in the SOT-223 package reduces size and is suitable for mass production. The design consists of input filter, rectifier with filtering capacitor, power stage with switcher and inductor, output ultrafast rectifier, output filtering capacitor, feedback loop with zener diode and optocoupler and indicating LED. The only component necessary for proper powering of the IC is the V_{CC} capacitor. The IC is directly powered from the HV Drain circuit via internal voltage regulator. To eliminate the noise at the feedback input, some small ceramic capacitor with value of around 1.0 nF is necessary to be connected as close to the FB pin, as possible.

Schematic diagram

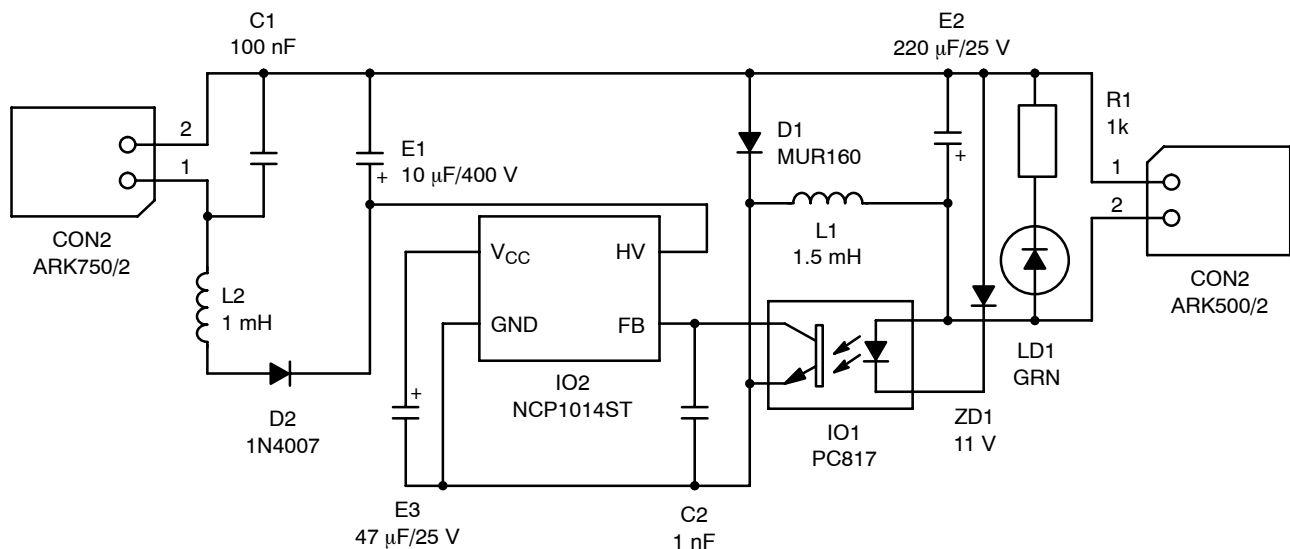


Figure 1. Complete Schematic Diagram of the 12 V/0.2 A Converter

SELECTION OF CRITICAL COMPONENTS

Inductor selection

For the selected output power need to be selected certain minimum value of the inductance. This value is dependent on the mode of operation. Reduced value results in Discontinuous Conduction Mode of operation (DCM). Practically was found, that the borderline between Continuous Conduction Mode of operation (CCM) and DCM is commonly set slightly below maximum output power. The result is low cost of the inductor, freewheeling diode ($t_{rr} > 35$ ns), higher efficiency and lower cost. The negative result is in lower output power and higher cost of the NCP101x Power Switcher.

The current ripple in the inductor during the T_{on} time may be expressed by Equation 1.

$$\Delta I_{ripple}(T_{on}) = T_{on} \cdot \left(\frac{(V_{min} - V_{ds} - V_O)}{L_{min}} \right) \quad (eq. 1)$$

Where:

T_{on} = ON Time, Internal Power Switch in ON,

V_{min} = Minimum Rectified Input Voltage,

V_{ds} = Drain-to-Source Voltage Drop,

V_O = Output Voltage,

L_{min} = Minimum Inductor Value.

The current ripple in the inductor during the T_{off} time may be expressed by Equation 2.

$$\Delta I_{ripple}(T_{off}) = T_{off} \cdot \left(\frac{V_O}{L_{min}} \right) \quad (eq. 2)$$

T_{off} = OFF Time, Internal Power Switch in OFF.

The current through the inductor at the beginning of the T_{on} time is shown by Equation 3.

$$I_{init} = I_{set} - \Delta I_{ripple} \quad (eq. 3)$$

I_{set} = Peak Switching Current Set by the FB Loop.

The average current through the inductor over one switching cycle can be expressed by Equation 4.

$$I_c = f_{op_min} \cdot \left(\left(\frac{\Delta I_{ripple}}{2 + I_{init}} \right) \cdot T_{on} + \left(\frac{\Delta I_{ripple}}{2 + I_{init}} \right) \cdot T_{off} \right) \quad (eq. 4)$$

I_c = Inductor Operating Current,

f_{op_min} = Minimum Operating Frequency

The theoretical minimum inductor value corresponds to Equation 5.

$$L_{min} = \frac{(2 \cdot V_O \cdot I_O \cdot (V_{min} - V_{ds} - V_O))}{(\Delta I_{ripple}^2 \cdot f_{op_min} \cdot (V_{min} - V_{ds}))} \quad (eq. 5)$$

I_O = Output DC Current.

The theoretical maximum output power will be shown in Equation 6.

$$P_{out_max} = L_{min} \cdot (I_{set}^2 - I_{init}^2) \cdot f_{op_min} \cdot \frac{\left(\frac{(V_{min} - V_{ds})}{(V_{min} - V_{ds} - V_O)} \right)}{2} \quad (eq. 6)$$

The current ripple in the inductor during the normal operation will be shown in Equation 7.

$$\Delta I_{ripple} = \frac{(V_{min} - V_{ds} - V_O) \cdot V_O}{((V_{min} - V_{ds}) \cdot f_{op_min} \cdot L_{min})} \quad (eq. 7)$$

The output current will be shown in Equation 8.

$$I_O = f_{op_min} \cdot \frac{((I_{set} + I_{init}) \cdot T_{on} + (I_{set} + I_{init}) \cdot T_{off})}{2} \quad (eq. 8)$$

Table of Preselected Inductors ($V_{min} = 120$ V, $V_{ds} = 9$ V, $V_O = 12$ V, $I_{set} = 0.405$ A, $f_{op_min} = 59$ kHz)

Inductance (μH)	Coilcraft Part Number (see appendix for address)	ΔI _{ripple} (A)	Output Current (A)
470	RFB0810-471	0.39	0.25
680	RFB0810-681	0.27	0.32
820	RFB0810-821	0.22	0.34
1000	RFB0810-102	0.18	0.36
1500	RFB0810-152	0.12	0.40

NOTE: The output current is the theoretical value and need to be multiplied by the efficiency (~0.7).

AND8226/D

Freewheeling diode selection

The freewheeling diode needs to be selected accordingly to the mode of operation. For the CCM operation needs to be used the ultra fast diode with $t_{rr} < 35$ ns. For the DCM operation the standard ultra fast diode with $t_{rr} < 75$ ns is enough.

TABLE OF PRESELECTED FREEWHEELING DIODES

Part number	V_{RRM} (V)	$I_{F(AV)}$ (A)	t_{rr} (ns)	Package
MUR160	600	1.0	75	Axial Lead
MURA160T3	600	1.0	75	SMD SMA
MURS160T3	600	1.0	75	SMD SMB
MURS260T3	600	2.0	75	SMD SMB

Electrical specification of the example at Figure 1:

Input: 85 VAC – 265 VAC

Output: + 12 V / 200 mA

NOTE: The polarity is proportional to common line.

COMPONENT LAYOUT

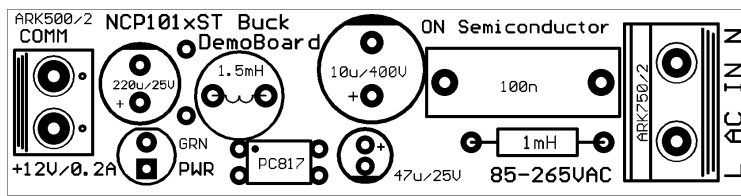


Figure 2. Component Layout – Top Side

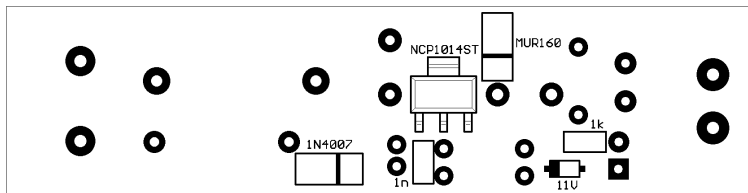


Figure 3. Component Layout – Bottom Side

PCB LAYOUT

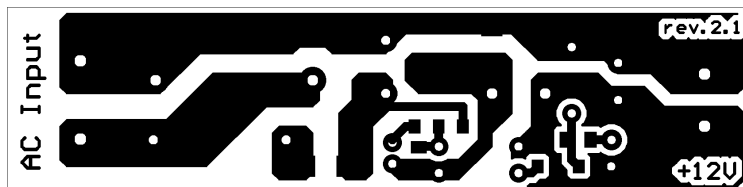


Figure 4. PCB Layout

EMI TEST RESULTS

Test Conditions:

Input: 230 VAC
 Output: 11.7 VDC
 Load: Resistive 68 R

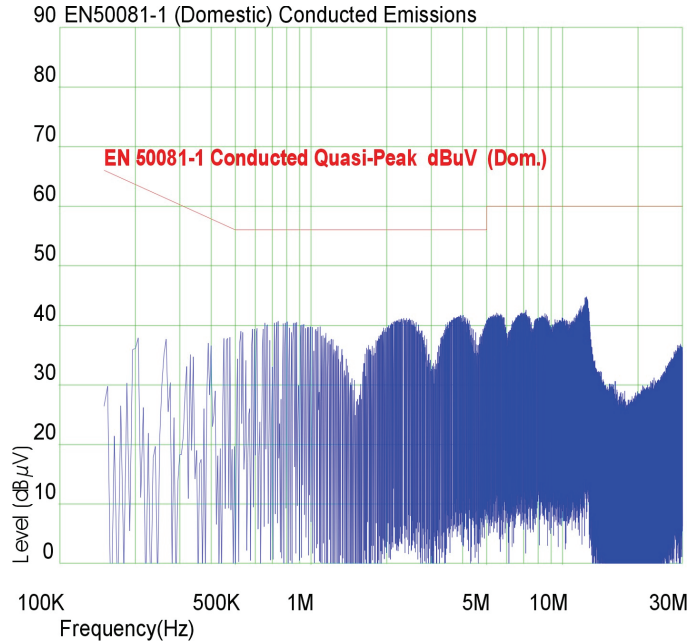


Figure 5. Conducted EMI

Contact Address of the Inductor Manufacturer:

Coilcraft
 1102 Silver Lake Road, Cary IL 60013
 800-322-2645
 847-639-6400 Fax 847-639-1469
 21 Napier Place
 Wardpark North, Cumbernauld
 Scotland G68 0LL
 Telephone (Int) : 44 (0)1236 730595
 Fax (sales) : 44 (0)1236 730627
 www.coilcraft.com
 Email: fionas@coilcraft-europe.com

ON Semiconductor and **ON** are registered trademarks of Semiconductor Components Industries, LLC (SCILLC). SCILLC reserves the right to make changes without further notice to any products herein. SCILLC makes no warranty, representation or guarantee regarding the suitability of its products for any particular purpose, nor does SCILLC assume any liability arising out of the application or use of any product or circuit, and specifically disclaims any and all liability, including without limitation special, consequential or incidental damages. "Typical" parameters which may be provided in SCILLC data sheets and/or specifications can and do vary in different applications and actual performance may vary over time. All operating parameters, including "Typicals" must be validated for each customer application by customer's technical experts. SCILLC does not convey any license under its patent rights nor the rights of others. SCILLC products are not designed, intended, or authorized for use as components in systems intended for surgical implant into the body, or other applications intended to support or sustain life, or for any other application in which the failure of the SCILLC product could create a situation where personal injury or death may occur. Should Buyer purchase or use SCILLC products for any such unintended or unauthorized application, Buyer shall indemnify and hold SCILLC and its officers, employees, subsidiaries, affiliates, and distributors harmless against all claims, costs, damages, and expenses, and reasonable attorney fees arising out of, directly or indirectly, any claim of personal injury or death associated with such unintended or unauthorized use, even if such claim alleges that SCILLC was negligent regarding the design or manufacture of the part. SCILLC is an Equal Opportunity/Affirmative Action Employer. This literature is subject to all applicable copyright laws and is not for resale in any manner.

PUBLICATION ORDERING INFORMATION

LITERATURE FULFILLMENT:
 Literature Distribution Center for ON Semiconductor
 P.O. Box 61312, Phoenix, Arizona 85082-1312 USA
Phone: 480-829-7710 or 800-344-3860 Toll Free USA/Canada
Fax: 480-829-7709 or 800-344-3867 Toll Free USA/Canada
Email: orderlit@onsemi.com

N. American Technical Support: 800-282-9855 Toll Free USA/Canada
Japan: ON Semiconductor, Japan Customer Focus Center
 2-9-1 Kamimeguro, Meguro-ku, Tokyo, Japan 153-0051
Phone: 81-3-5773-3850

ON Semiconductor Website: <http://onsemi.com>
Order Literature: <http://www.onsemi.com/litorder>
 For additional information, please contact your local Sales Representative.