

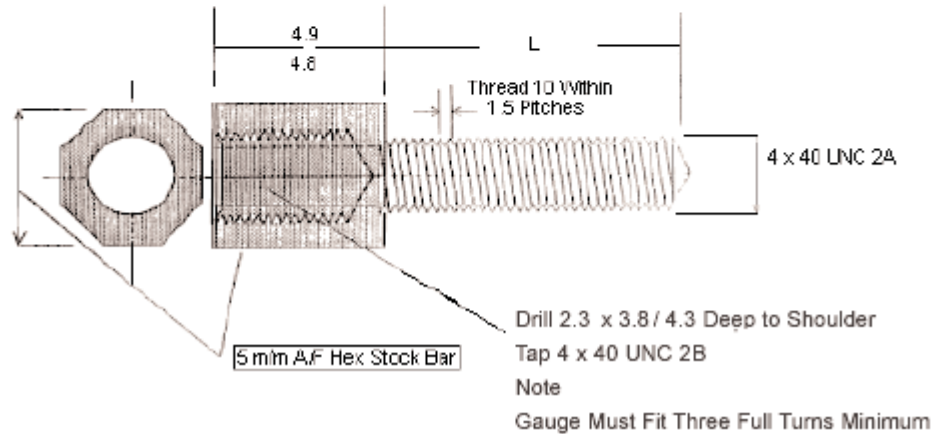
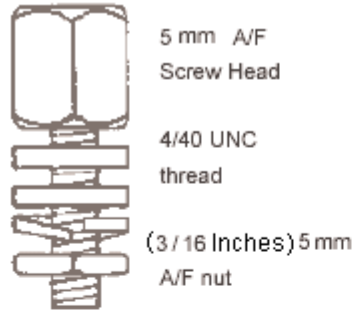


PART NO.

257795

REVISIONS

ECN #	REV	DESCRIPTION	DRAWN	DATE	CHECKD	DATE	APPRVD	DATE
-	A	RELEASED	SN	14/01/12	JAG	14/01/12		28/01/12



Dimensions : Millimetres (Inches)

Features:

- Bright tin or nickel plating suitable for EMI/RFI shielded 'D' connectors
The base of the female screwlocks have chamfered corners to prevent scratching of surface during assembly.

Important Notice : This data sheet and its contents (the "Information") belong to the members of the Premier Farnell group of companies (the "Group") or are licensed to it. No licence is granted for the use of it other than for information purposes in connection with the products to which it relates. No licence of any intellectual property rights is granted. The Information is subject to change without notice and replaces all data sheets previously supplied. The Information supplied is believed to be accurate but the Group assumes no responsibility for its accuracy or completeness, any error in or omission from it or for any use made of it. Users of this data sheet should check for themselves the information and the suitability of the products for their purpose and not make any assumptions based on information included or omitted. Liability for loss or damage resulting from any reliance on the Information or use of it (including liability resulting from negligence or where the Group was aware of the possibility of such loss or damage arising) is excluded. This will not operate to limit or restrict the Group's liability for death or personal injury resulting from its negligence. Multicomp is the registered trademark of the Group. © Premier Farnell plc 2012.

TOLERANCES:

UNLESS OTHERWISE SPECIFIED, DIMENSIONS ARE FOR REFERENCE PURPOSES ONLY.

DRAWN BY:	DATE:
SN	14/01/12
CHECKED BY:	DATE:
JAG	14/01/12
APPROVED BY:	DATE:
	28/01/12

DRAWING TITLE:

Jack Screws - Screw Lock Accessories

SIZE A	DWG NO. M10002506	ELECTRONIC FILE 58231_DWG	REV A
SCALE: NTS	U.O.M.: mm (Inches)	SHEET: 1 OF 2	



PART NO.

257795

REVISIONS

ECN #	REV	DESCRIPTION	DRAWN	DATE	CHECKD	DATE	APPRVD	DATE
-	A	RELEASED	SN	14/01/12	JAG	14/01/12		28/01/12

Description	Thread Length (L)	Tolerance	Type	Packaging	Part Number
Screwlock, D, Female, PK2	14.5	14.25 to 14.75	D20418-2145	2 per Pack	105025
Screwlock, D, Female, 8 mm, 4-40 Unc	7.9	7.75 to 8.05	D20418-2		257795
Screwlock, Female, 14.5 mm, 4-40 Unc	14.5	14.25 to 14.75	D20418-2145		257801

Dimensions : Millimetres

www.element14.com
www.farnell.com
www.newark.com

Important Notice : This data sheet and its contents (the "Information") belong to the members of the Premier Farnell group of companies (the "Group") or are licensed to it. No licence is granted for the use of it other than for information purposes in connection with the products to which it relates. No licence of any intellectual property rights is granted. The Information is subject to change without notice and replaces all data sheets previously supplied. The Information supplied is believed to be accurate but the Group assumes no responsibility for its accuracy or completeness, any error in or omission from it or for any use made of it. Users of this data sheet should check for themselves the information and the suitability of the products for their purpose and not make any assumptions based on information included or omitted. Liability for loss or damage resulting from any reliance on the Information or use of it (including liability resulting from negligence or where the Group was aware of the possibility of such loss or damage arising) is excluded. This will not operate to limit or restrict the Group's liability for death or personal injury resulting from its negligence. Multicomp is the registered trademark of the Group. © Premier Farnell plc 2012.

**TOLERANCES:
UNLESS OTHERWISE SPECIFIED, DIMENSIONS ARE FOR REFERENCE PURPOSES ONLY.**

DRAWN BY:	DATE:
SN	14/01/12
CHECKED BY:	DATE:
Jagan	14/01/12
APPROVED BY:	DATE:
	28/01/12

DRAWING TITLE:			
Jack Screws - Screw Lock Accessories			
SIZE	DWG NO.	ELECTRONIC FILE	REV
A	M10002506	58231_DWG	A
SCALE: NTS		U.O.M.: mm (Inches)	SHEET: 2 OF 2