



Ordering number C12083
Description C12083_Brooke-SCR-M

Family	Brooke	FWHM	23 degrees
Type	Reflector	Efficiency	-
LED	BXRA-C0400	cd/lm	-
Color	Metal	Gerber File	Available
Diameter	45 mm		
Height	20.2 mm		
Style	Round		
Optic Material	PC		
Holder Material	-		
Fastening	Screw, glue		
Status	Ready		



Ordering number C12084
Description C12084_Brooke-SCR-W

Family	Brooke	FWHM	42 degrees
Type	Reflector	Efficiency	-
LED	BXRA-C0400	cd/lm	-
Color	Metal	Gerber File	Available
Diameter	45 mm		
Height	20.2 mm		
Style	Round		
Optic Material	PC		
Holder Material	-		
Fastening	Screw, glue		
Status	Ready		

NOTE: The typical divergence will be changed by different color, chip size and chip position tolerance. The typical total divergence is the full angle measured where the luminous intensity is half of the peak value.



PRODUCT DATASHEET Brooke-SCR series



GENERAL INFORMATION

- Product series especially designed & optimized for BXRA-C0400 series of LEDs.
- Special care taken to make light distribution as uniform as possible.
- Reflector is made of aluminium coated PC (120 degrees of Celcius / 248 degrees of Fahrenheit) with protective lacquer (110 degrees of Celcius / 230 degrees of Fahrenheit).
- Fastening to PCB with appropriate adhesive. By clicking link below you can find Ledil recommended glue options.
http://www.ledil.com/datasheets/DataSheet_GLUES.pdf

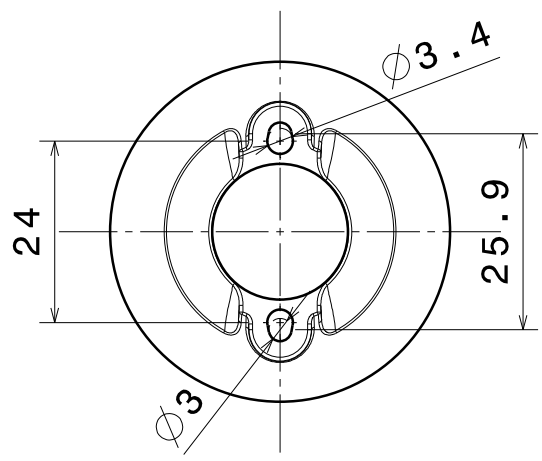
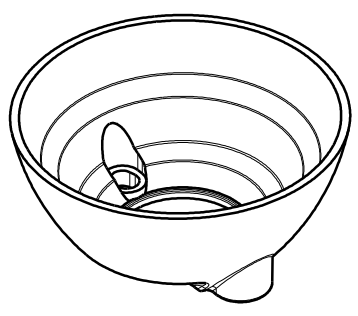
NOTE 1: We advise customer to ensure the suitability and sufficiency of the bond in the end product. For example, mechanical stress, vibration and holes on the surface of the circuit board weaken the strength of the glue.

NOTE 2: All surfaces where glue is applied must be clean, dry and free from grease and dirt. If cleaning of PCB surfaces is needed, please follow strictly the cleaning instructions of your LED manufacturer -this is important as cleaning shall under no circumstances damage LEDs or other electronics components on the PCB.

Further note that optical components shall not be cleaned with any chemicals - only micro fiber cloth may be used to remove fingerprints or other traces from handling.

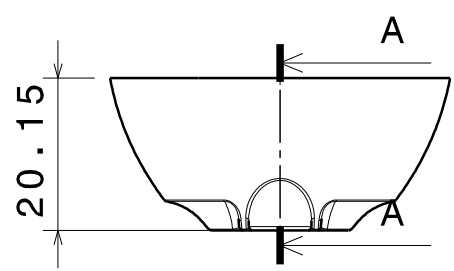
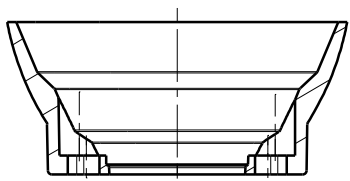
D C B A

4



4

3



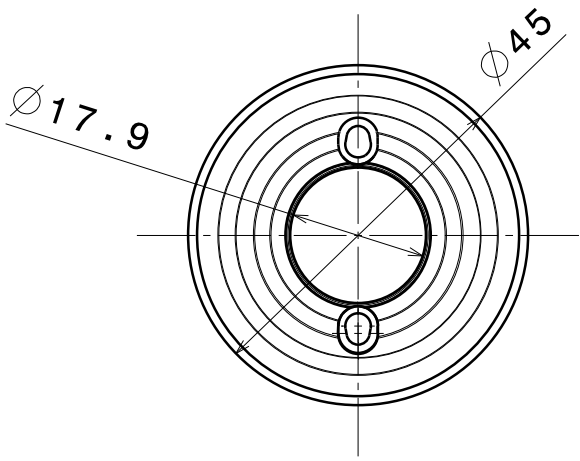
3

2

Assemblies:
 C12082_Brooke-SCR-S
 C12083_Brooke-SCR-M
 C12084_Brooke-SCR-W

Material:
 - PC, white
 - Metal coating

Tolerances:
 Dimensions +/- 0,1 if not otherwise shown.



2

1

This drawing is our property.
 It can't be reproduced
 or communicated without
 our written agreement.



Ledil Oy
 Tehdaskatu 13
 FIN-24100 SALO
 Finland

DRAWING TITLE

Datasheet Brooke-SCR Reflector

DRAWN BY
 ah

DATE
 17.05.2011

CHECKED BY

DATE

SIZE
 A4

DRAWING NUMBER
 C1208x

REV
 1

DESIGNED BY
 pl

DATE
 04.04.2011

SCALE 1:1

WEIGHT (g)

SHEET

1/1

D A