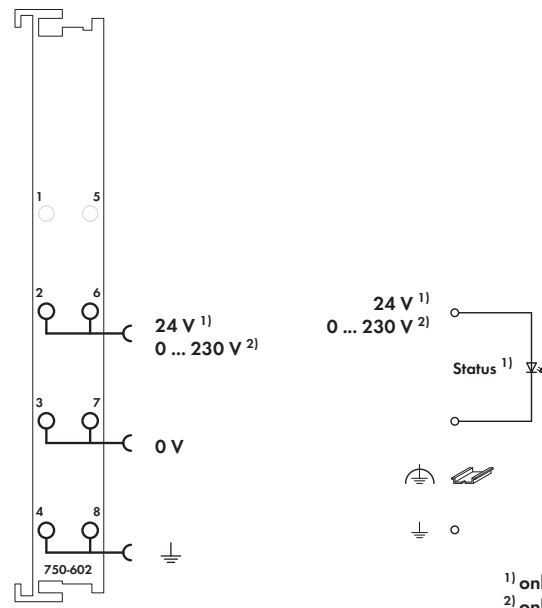
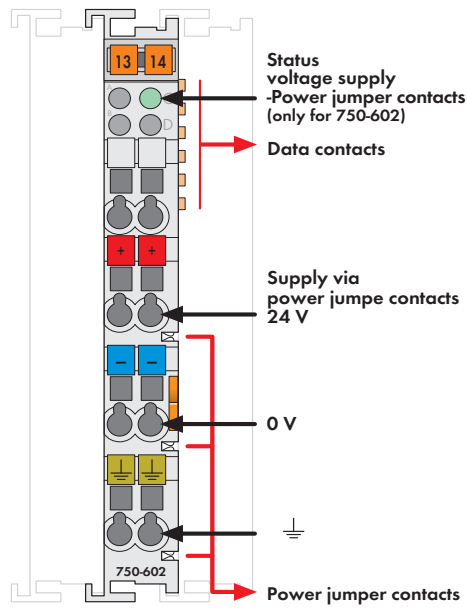


Supply Module DC 24 V / AC/DC 230 V

passive



Delivery without Mini WSB marker

The supply module provides field side power through the power jumper contacts.

Maximum available supply current to all connected modules is 10 A.

Should higher currents be necessary, intermediate supply modules must be added to the assembly. Supply modules may also be used to change the supply voltage to certain I/O modules within the assembly - on one fieldbus node.

Description	Item no.	Pack. unit	
24V DC Power Supply	750-602	10 <sup>1)</sup>	
0-230V AC/DC Power Supply	750-612	10 <sup>1)</sup>	
24V DC Power Supply/T	750-602/025-000	1	
(Operating temperature -20 °C ... +60 °C)			
<sup>1)</sup> Also available individually			
Accessories	Item no.	Pack. unit	
Miniature WSB quick marking system,	plain	248-501	5
	with marking	see pages 256 ... 257	
<b>Approvals</b>			
Series 750			
Conformity marking	CE		
UL 508			
ANSI/ISA 12.12.01	Class I, Div. 2, Grp. ABCD, T4		
EN 60079-15	I M2 / II 3 GD Ex nA IIC T4		
Marine applications	see "Approvals Overview" in section 1		

Technical Data	
Voltage via power jumper contacts (max.)	DC 24 V (750-602) AC / DC 0 V ... 230 V (750-612)
Current via power jumper contacts (max.)	DC 10 A
Wire connection	CAGE CLAMP®
Cross sections	0.08 mm <sup>2</sup> ... 2.5 mm <sup>2</sup> / AWG 28 ... 14
Stripped lengths	8 ... 9 mm / 0.33 in
Width	12 mm
Weight	44.5 g (750-602) 51.5 g (750-612)
EMC CE-Immunity to interference	acc. to EN 50082-2 (1996)
EMC CE-Emission of interference	acc. to EN 50081-1 (1993)
EMC marine applications -	
Immunity to interference	acc. to Germanischer Lloyd (2003)
EMC marine applications -	
Emission of interference	acc. to Germanischer Lloyd (2003)