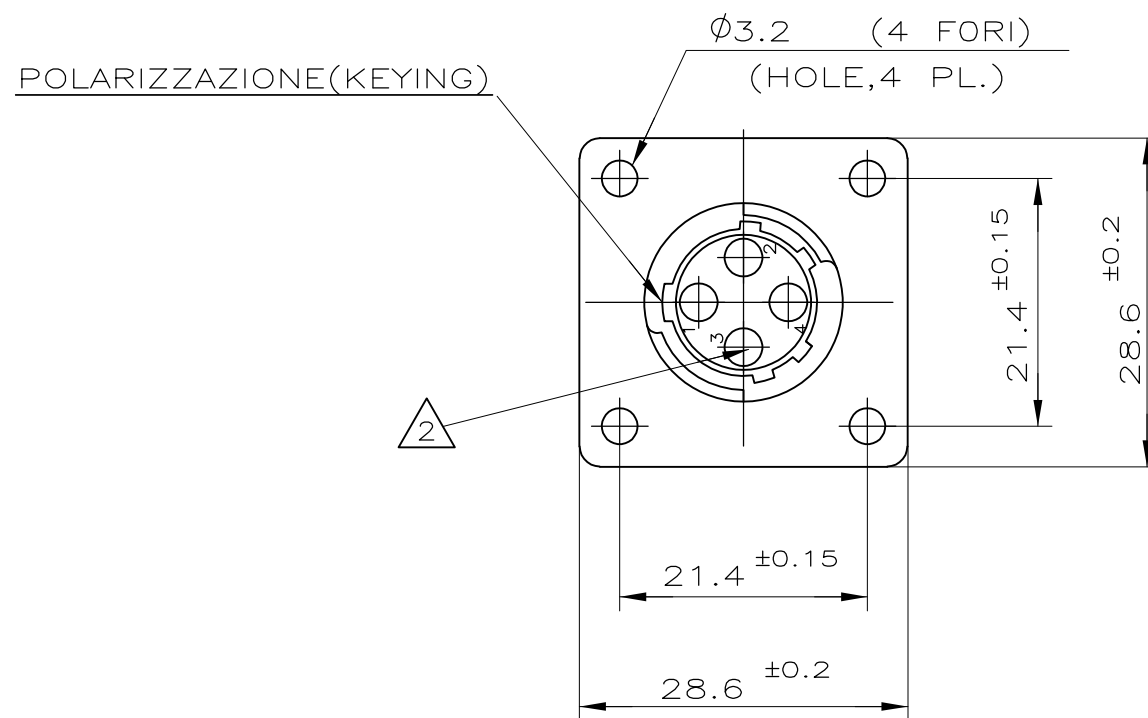
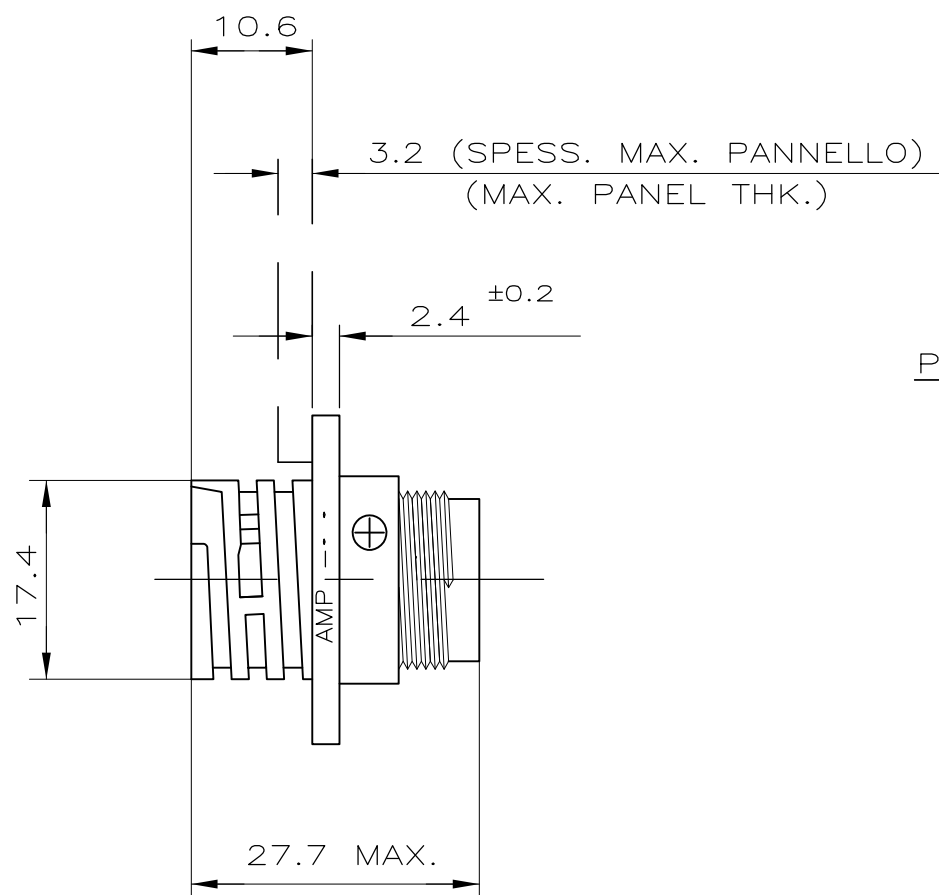


THIS DRAWING IS UNPUBLISHED. —  
 RELEASED FOR PUBLICATION —, — .  
 © COPYRIGHT — By — ALL RIGHTS RESERVED.

LOC	DIST	REVISIONS					
—	—	P	LTR	DESCRIPTION	DATE	DWN	APVD
			M4	REVISED PER ECO-11-005301	02MAR11	RK	HMR



NOTE(NOTES)

1. MATERIALE(MATL.): TERMOPLASTICO COLORE NERO(THERMOPLASTIC, BLACK COLOR).

2. OGNI CAVITA' E' IDENTIFICATA DAL NUMERO POSTO SIA SUL FRONTE CHE SUL RETRO DEL CONNETTORE. (CONTACT CAVITIES IDENTIFIED BY CHARACTERS) (ON FRONT AND REAR FACES OF CONNECTOR.)

3. QUESTO CONNETTORE E' APPROVATO CON FILE N.E28476 E CERTIFICATO CON FILE N.LR7189A-259 (THIS CONNECTOR IS RECOGNIZED BY FILE N.E28476 AND CERTIFIED BY FILE N.LR7189A-259)

IL DISEGNO INDICA IL P.N. 182921-1 (P.N. 182921-1 AS SHOWN)

THIS DRAWING IS A CONTROLLED DOCUMENT.		DWN C.CORDOLA	22JUN1991	TE Connectivity						
DIMENSIONS: mm		CHK C.CORDOLA	22JUN1991							
TOLERANCES UNLESS OTHERWISE SPECIFIED: ±0.3		APVD —		NAME C.P.C. SQUARE FLANGE RECEPTACLE FOR SOCKET CONTACTS, SIZE 11-4, REV. SEX						
0 PLC ± - 1 PLC ± - 2 PLC ± - 3 PLC ± - 4 PLC ± - ANGLES ± 2'		PRODUCT SPEC —		APPLICATION SPEC —						
MATERIAL —		FINISH —		WEIGHT —		SIZE A3		CAGE CODE 00779	DRAWING NO C-182921	RESTRICTED TO —
CUSTOMER DRAWING				SCALE —		SHEET 1 OF 1		REV M4		