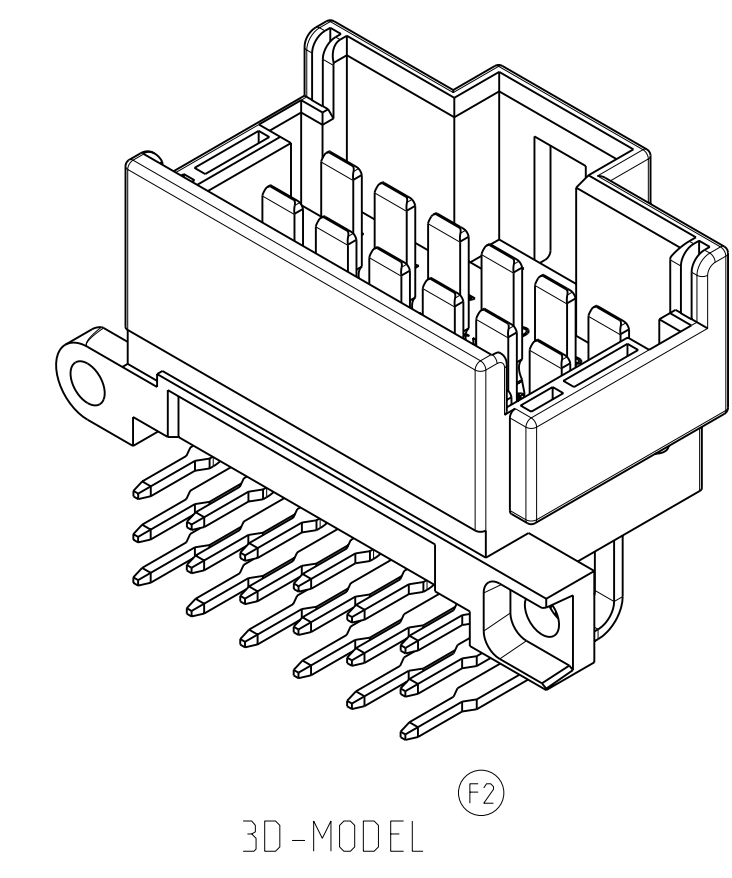
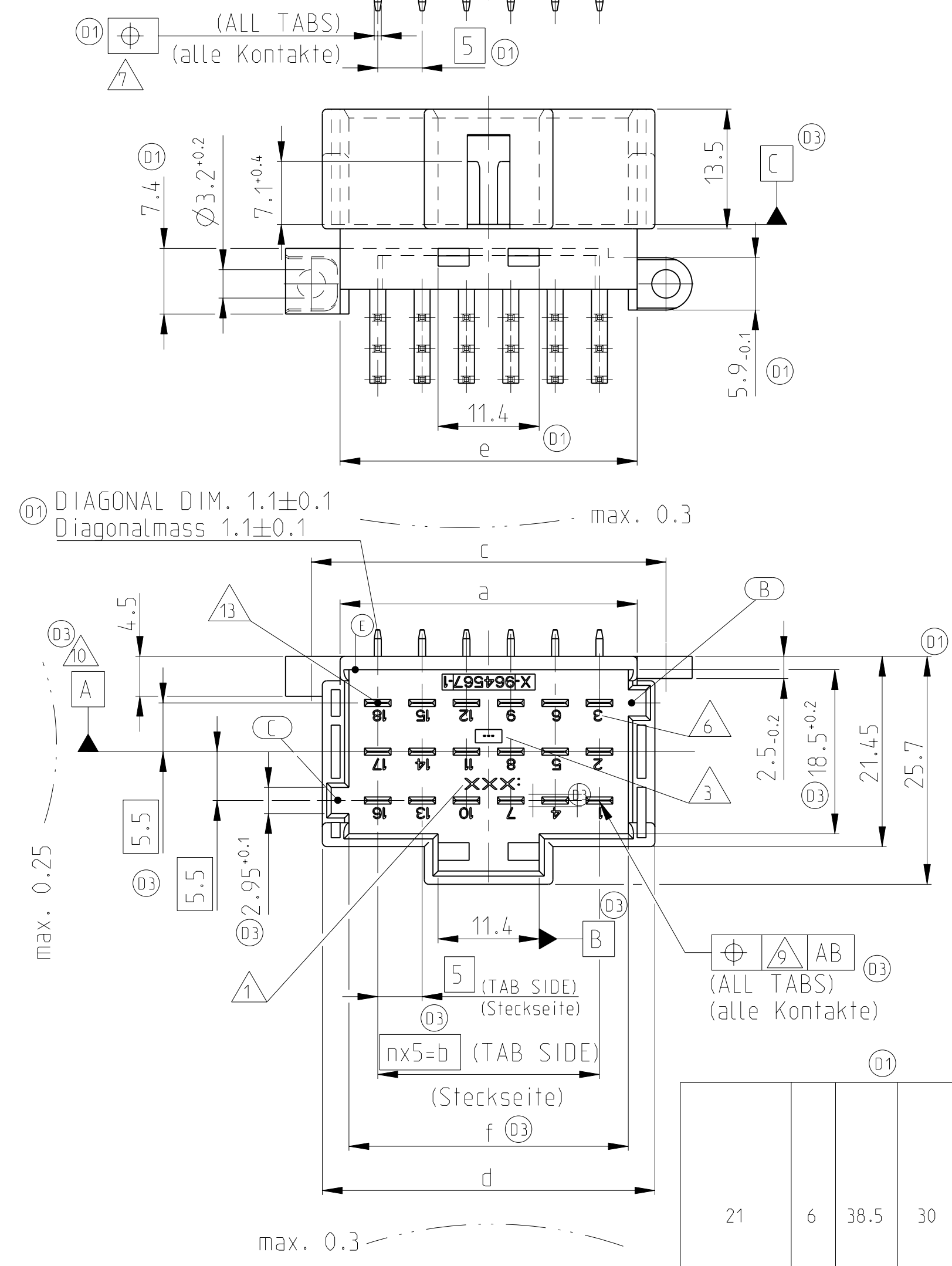
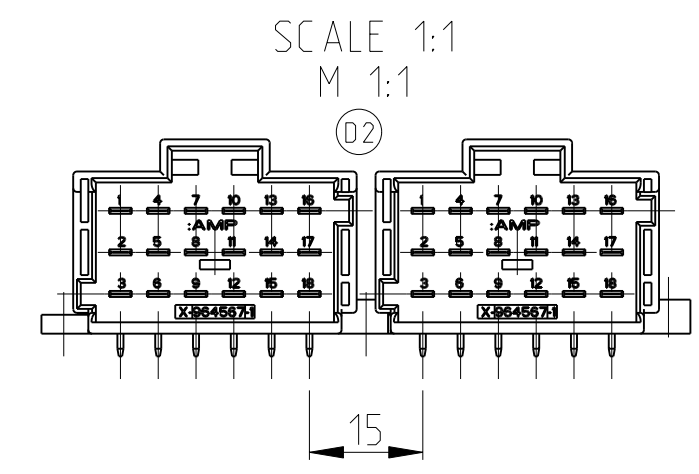
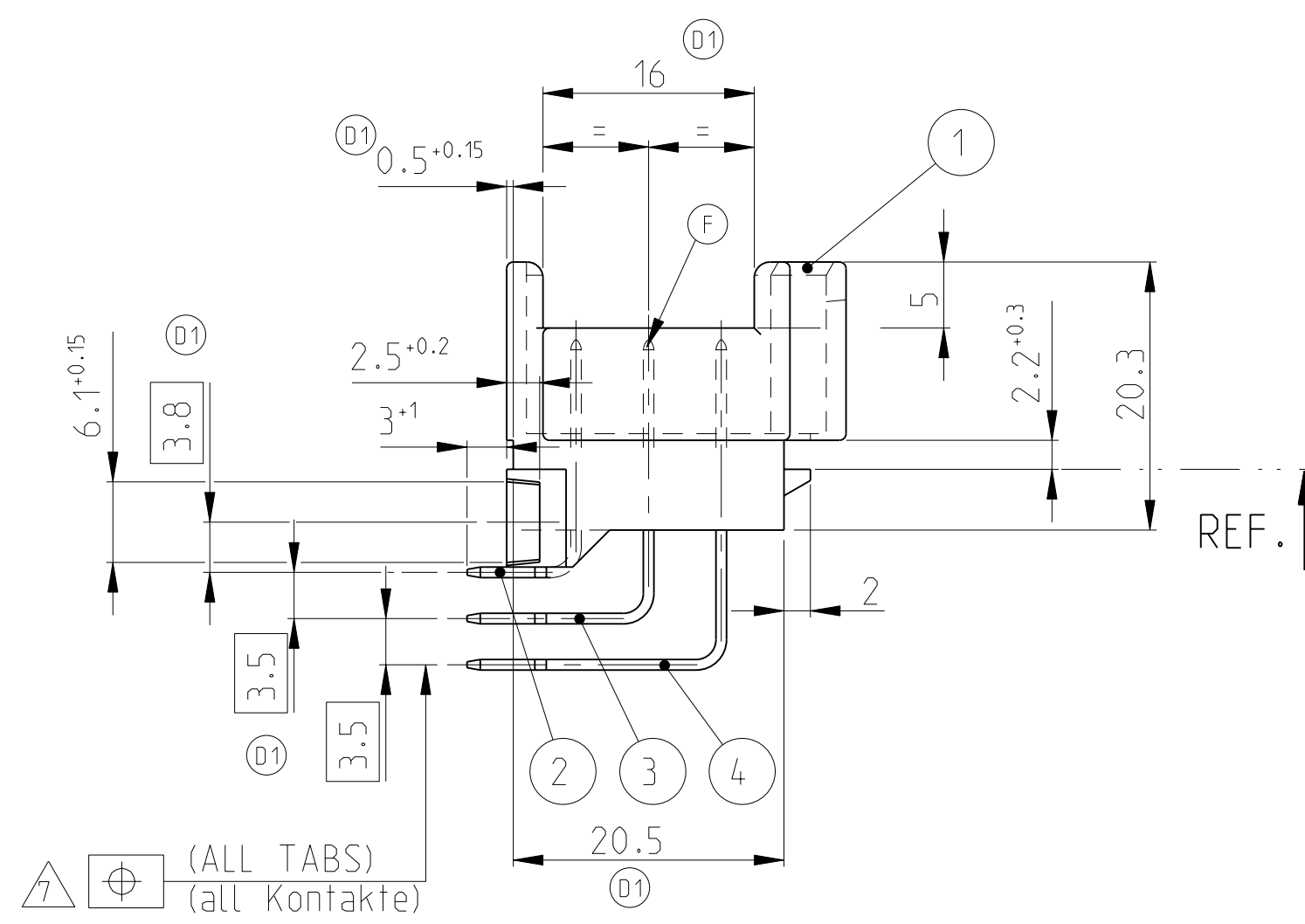
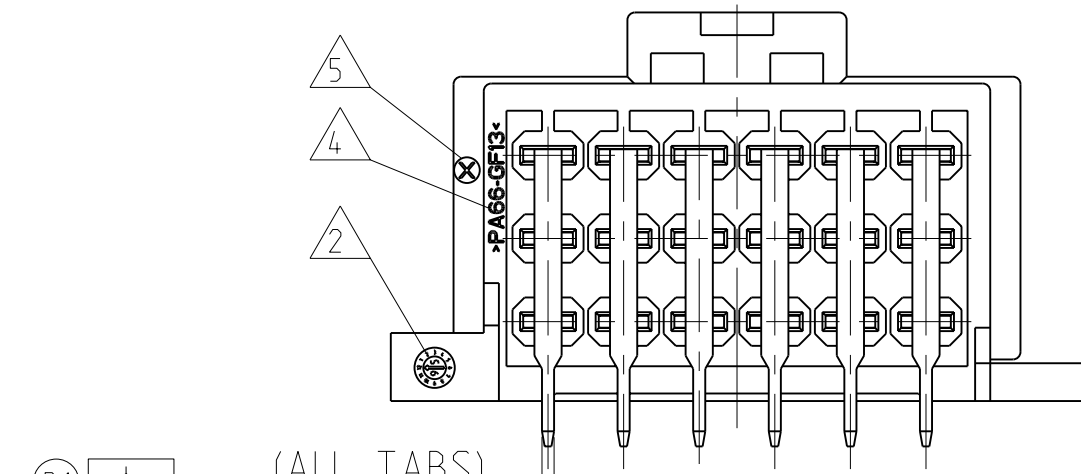


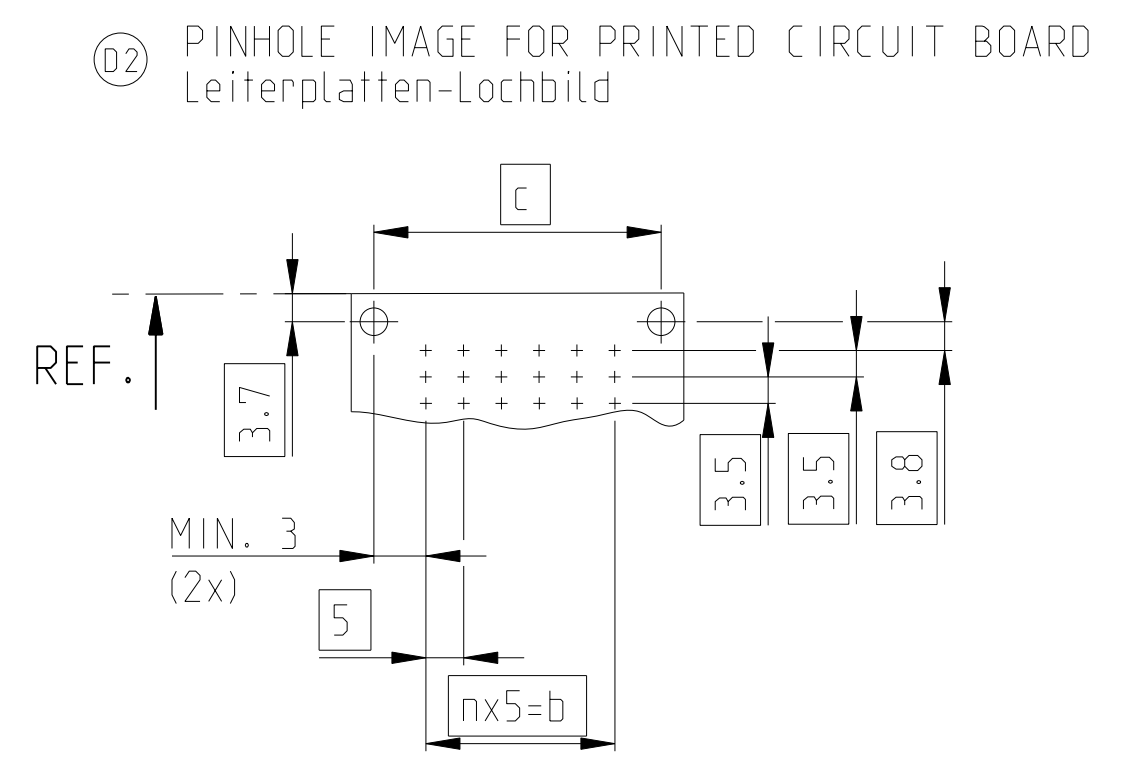
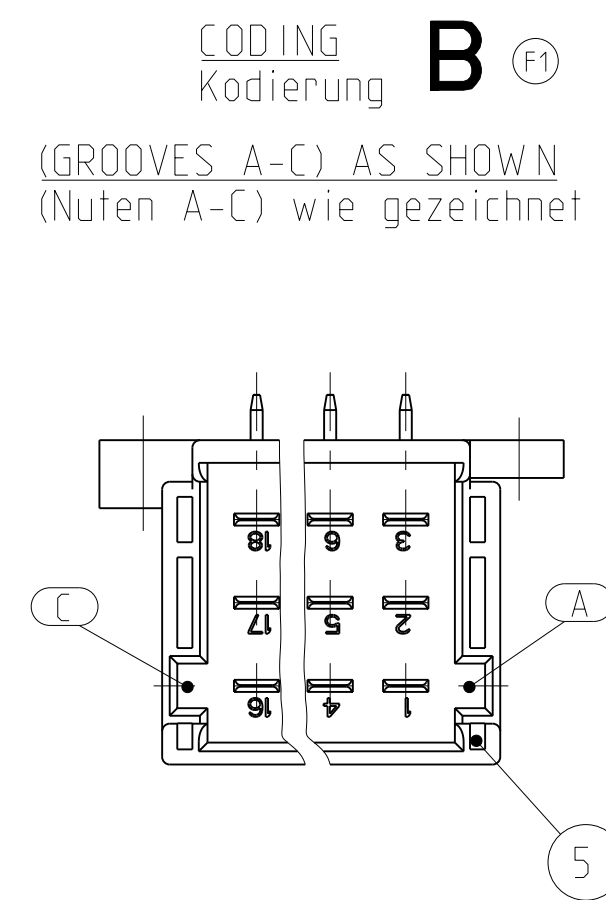
| LOC | DIST | REV | DATE | BY | CHK | APPV |
|-----|------|-----|-----------|----|-----|------|
| A1 | - | F3 | 21MAY2011 | RK | HMR | |



- NOTES**
Bemerkungen
- ① ACTIVE COMPANY-LOGO, PART NUMBER HOUSING
Aktuelles Firmenlogo und Gehäuse-Teilennr.
 - ② PRODUCTION DATE HOUSING
Produktionsdatum Gehäuse
 - ③ MOULD REVISION STATUS
Aenderungsstand Spritzwerkzeuge
 - ④ MATERIAL MARKING IN ACC. TO VDA 260
Werkstoffkennzeichnung nach
 - ⑤ MOULD CAVITY MARKING
Nestmarkierung
 - ⑥ CAVITY MARKING
Kammerbezeichnung
 - ⑦ CHECK WITH GAUGE NO. 90-244507 (SOLDER TABS SIDE, DIM'S NOT IN GENERAL TOLERANCES)
Pruefung mit Stecklehre 90-244507 (Loetseite, Masse unterliegen nicht der Allgmeintoleranz)
 - ⑧ REFERENCE PLANE A RESULTS FROM AVERAGE OF TAB POSITIONS OF MIDDLE ROW AT THE LEVEL OF REFERENCE PLANE C
Bezugsebene A gemittelt aus Positionen der Tabs der mittleren Reihe auf Niveau der Bezugsebene C
 - ⑨ LINEAR INCREASING FROM Ø0.2 AT THE LEVEL OF REFERENCE PLANE C UP TO Ø0.4 AT THE TOP OF TABS
Linear zunehmend von Ø0.2 auf Niveau Bezugsebene C bis auf Ø0.4 an Tabspitzen
 - ⑩ ALL SYMMETRIC DIMENSIONS $\frac{\text{---}}{\text{---}}$ 0.15
Alle Symmetriemasse
 - ⑪ SUITABLE MATING CONNECTOR SEE DRAWINGS:
Passende Gegenstecker siehe Zeichnungen: TE-Nr.: 1355071, 1355073
 - ⑫ DOMESTIC PACKAGING (GERMANY): PLASTIC TRAY (ANTISTATIC) IN CORRUGATED SHIPPING BOX
Inlands-Verpackung (BRO) : Produkttraeger (antistatisch) in Versandkarton
 - ⑬ TAB-INTERFACE ON INQUIRY; TE CONNECTIVITY-No.: 114-18230-002
Flachstecker-Ausfuehrung auf Anfrage; TE CONNECTIVITY-Nr.:
 - ⑭ EXPORT PACKAGING: PLASTIC TRAY (NOT ANTISTATIC) IN CORRUGATED SHIPPING BOX
Export-Verpackung: Produkttraeger (nicht antistatisch) in Versandkarton
 - ⑮ AVAILABILITY ONLY AFTER RECONSULTING TE CONNECTIVITY
Verfuegbarkeit nur nach Ruecksprache mit TE CONNECTIVITY

-1 WITH CODING mit Kodierung **A**
(GROOVES B-C) AS SHOWN (Nuten B-C) wie gezeichnet

| POSITIONS Polzahl | n | a±0.2 | b | c | d _{±0.2} | e _{±0.25} | f | CODING Kodierung | CAVITY NUMBERING Kammerbezeichnung | ORDER NO. REV. Bestell-Nr. | ORDER NO. REV. Bestell-Nr. | WEIGHT Gewicht | POS. | QTY Stueck | DESCRIPTION Benennung Einzelteil | MATERIAL Werkstoff | SURFACE/Oberflaeche COLOUR/ Farbe |
|----------------------|---|-------|----|----|-------------------|--------------------|------|-----------------------------------|---------------------------------------|-------------------------------|-------------------------------|-------------------|-------|-----------------|-------------------------------------|-----------------------|--------------------------------------|
| 21 | 6 | 38.5 | 30 | 45 | 42.5 | 38.5 | 36.5 | B (GROOVES) Nuten A-C | | 8-966140-6 A | 1-966140-6 A | 18.3g | 4 | 7 | TAB (43.4mm) | CuSn4 | TINNED/verzinkt |
| | | | | | | | | | 3 | 7 | TAB (34.4mm) | | CuSn4 | TINNED/verzinkt | | | |
| 18 | 5 | 33.5 | 25 | 40 | 37.5 | 33.5 | 31.5 | A (GROOVES B-C) (Nuten B-C) | | 9-966140-6 F | 966140-6 F | 18.3g | 4 | 7 | TAB (43.4mm) | CuSn4 | TINNED/verzinkt |
| | | | | | | | | | 3 | 7 | TAB (34.4mm) | | CuSn4 | TINNED/verzinkt | | | |
| 15 | 4 | 28.5 | 20 | 35 | 32.5 | 28.5 | 26.5 | A (GROOVES B-C) (Nuten B-C) | | 9-966140-1 F | 966140-1 F | 16.0g | 4 | 6 | TAB (43.4mm) | CuSn4 | TINNED/verzinkt |
| | | | | | | | | | 3 | 6 | TAB (34.4mm) | | CuSn4 | TINNED/verzinkt | | | |
| 12 | 3 | 23.5 | 15 | 30 | 27.5 | 23.5 | 21.5 | B (GROOVES) Nuten A-C | | 9-966140-2 F | 966140-2 F | 13.6g | 4 | 5 | TAB (43.4mm) | CuSn4 | TINNED/verzinkt |
| | | | | | | | | | 3 | 5 | TAB (34.4mm) | | CuSn4 | TINNED/verzinkt | | | |
| 9 | 2 | 18.5 | 10 | 25 | 22.5 | 18.5 | 16.5 | A (GROOVES B-C) (Nuten B-C) | | 9-966140-3 A | 1-966140-3 A | 11.2g | 4 | 4 | TAB (43.4mm) | CuSn4 | TINNED/verzinkt |
| | | | | | | | | | 3 | 4 | TAB (34.4mm) | | CuSn4 | TINNED/verzinkt | | | |
| 6 | 1 | 13.5 | 5 | 20 | 17.5 | 13.5 | 11.5 | A (GROOVES B-C) (Nuten B-C) | | 9-966140-3 F | 966140-3 F | 11.2g | 5 | 1 | 12 POS. HOUSING | PA66-GF13 | NATURAL/natur |
| | | | | | | | | | 4 | 4 | TAB (43.4mm) | | CuSn4 | TINNED/verzinkt | | | |
| 9 | 2 | 18.5 | 10 | 25 | 22.5 | 18.5 | 16.5 | A (GROOVES B-C) (Nuten B-C) | | 9-966140-4 F | 966140-4 F | 8.9g | 3 | 4 | TAB (34.4mm) | CuSn4 | TINNED/verzinkt |
| | | | | | | | | | 2 | 4 | TAB (25.4mm) | | CuSn4 | TINNED/verzinkt | | | |
| 6 | 1 | 13.5 | 5 | 20 | 17.5 | 13.5 | 11.5 | A (GROOVES B-C) (Nuten B-C) | | 9-966140-4 F | 966140-4 F | 8.9g | 1 | 1 | 12 POS. HOUSING | PA66-GF13 | BLACK/schwarz |
| | | | | | | | | | 4 | 3 | TAB (43.4mm) | | CuSn4 | TINNED/verzinkt | | | |
| 6 | 1 | 13.5 | 5 | 20 | 17.5 | 13.5 | 11.5 | A (GROOVES B-C) (Nuten B-C) | | 9-966140-5 F | 966140-5 F | 6.6g | 3 | 2 | TAB (43.4mm) | CuSn4 | TINNED/verzinkt |
| | | | | | | | | | 2 | 2 | TAB (25.4mm) | | CuSn4 | TINNED/verzinkt | | | |
| 6 | 1 | 13.5 | 5 | 20 | 17.5 | 13.5 | 11.5 | A (GROOVES B-C) (Nuten B-C) | | 9-966140-5 F | 966140-5 F | 6.6g | 1 | 1 | 6 POS. HOUSING | PA66-GF13 | BLACK/schwarz |
| | | | | | | | | | 4 | 2 | TAB (34.4mm) | | CuSn4 | TINNED/verzinkt | | | |



| | | | | |
|--|--|------------------|---------|---------------------------------|
| THIS DRAWING IS A CONTROLLED DOCUMENT. | | DWN T.Lillich | 260CT94 | TE Connectivity |
| | | CHK Hass | 260CT94 | |
| | | APVD | | NAME |
| | | | | TAB HEADER, 2.8x0.8, 6-21POS |
| | | | | Messerleiste, 2.8x0.8, 6-21pol. |
| | | | | SIZE |
| | | | | A1 00779 |
| | | | | RESTRICTED TO |
| | | | | NUR FUER |
| | | | | REV: F3 |