

# S29JL064J

**64 Megabit (8M x 8-Bit/4M x 16-Bit)  
CMOS 3.0 Volt-Only, Simultaneous Read/Write Flash  
Memory**

*Data Sheet*

---



**Notice to Readers:** This document states the current technical specifications regarding the Spansion product(s) described herein. Each product described herein may be designated as Advance Information, Preliminary, or Full Production. See [Notice On Data Sheet Designations](#) for definitions.

## Notice On Data Sheet Designations

Spansion Inc. issues data sheets with Advance Information or Preliminary designations to advise readers of product information or intended specifications throughout the product life cycle, including development, qualification, initial production, and full production. In all cases, however, readers are encouraged to verify that they have the latest information before finalizing their design. The following descriptions of Spansion data sheet designations are presented here to highlight their presence and definitions.

### Advance Information

The Advance Information designation indicates that Spansion Inc. is developing one or more specific products, but has not committed any design to production. Information presented in a document with this designation is likely to change, and in some cases, development on the product may discontinue. Spansion Inc. therefore places the following conditions upon Advance Information content:

“This document contains information on one or more products under development at Spansion Inc. The information is intended to help you evaluate this product. Do not design in this product without contacting the factory. Spansion Inc. reserves the right to change or discontinue work on this proposed product without notice.”

### Preliminary

The Preliminary designation indicates that the product development has progressed such that a commitment to production has taken place. This designation covers several aspects of the product life cycle, including product qualification, initial production, and the subsequent phases in the manufacturing process that occur before full production is achieved. Changes to the technical specifications presented in a Preliminary document should be expected while keeping these aspects of production under consideration. Spansion places the following conditions upon Preliminary content:

“This document states the current technical specifications regarding the Spansion product(s) described herein. The Preliminary status of this document indicates that product qualification has been completed, and that initial production has begun. Due to the phases of the manufacturing process that require maintaining efficiency and quality, this document may be revised by subsequent versions or modifications due to changes in technical specifications.”

### Combination

Some data sheets contain a combination of products with different designations (Advance Information, Preliminary, or Full Production). This type of document distinguishes these products and their designations wherever necessary, typically on the first page, the ordering information page, and pages with the DC Characteristics table and the AC Erase and Program table (in the table notes). The disclaimer on the first page refers the reader to the notice on this page.

### Full Production (No Designation on Document)

When a product has been in production for a period of time such that no changes or only nominal changes are expected, the Preliminary designation is removed from the data sheet. Nominal changes may include those affecting the number of ordering part numbers available, such as the addition or deletion of a speed option, temperature range, package type, or  $V_{IO}$  range. Changes may also include those needed to clarify a description or to correct a typographical error or incorrect specification. Spansion Inc. applies the following conditions to documents in this category:

“This document states the current technical specifications regarding the Spansion product(s) described herein. Spansion Inc. deems the products to have been in sufficient production volume such that subsequent versions of this document are not expected to change. However, typographical or specification corrections, or modifications to the valid combinations offered may occur.”

Questions regarding these document designations may be directed to your local sales office.

# S29JL064J

## 64 Megabit (8M x 8-Bit/4M x 16-Bit) CMOS 3.0 Volt-Only, Simultaneous Read/Write Flash Memory



### Data Sheet

---

## Distinctive Characteristics

### Architectural Advantages

- **Simultaneous Read/Write operations**
  - Data can be continuously read from one bank while executing erase/program functions in another bank
  - Zero latency between read and write operations
- **Flexible bank architecture**
  - Read may occur in any of the three banks not being programmed or erased
  - Four banks may be grouped by customer to achieve desired bank divisions
- **Boot sectors**
  - Top and bottom boot sectors in the same device
  - Any combination of sectors can be erased
- **Manufactured on 0.11  $\mu$ m Process Technology**
- **Secured Silicon Region: Extra 256-byte sector**
  - *Factory locked and identifiable*: 16 bytes available for secure, random factory Electronic Serial Number; verifiable as factory locked through autoselect function
  - *Customer lockable*: One-time programmable only. Once locked, data cannot be changed
- **Zero power operation**
  - Sophisticated power management circuits reduce power consumed during inactive periods to nearly zero
- **Compatible with JEDEC standards**
  - Pinout and software compatible with single-power-supply flash standard

### Package Options

- **48-ball Fine-pitch BGA**
- **48-pin TSOP**

### Performance Characteristics

- **High performance**
  - Access time as fast as 55 ns
  - Program time: 7  $\mu$ s/word typical using accelerated programming function

- **Ultra low power consumption (typical values)**

- 2 mA active read current at 1 MHz
- 10 mA active read current at 5 MHz
- 200 nA in standby or automatic sleep mode

- **Cycling endurance: 1 million cycles per sector typical**

- **Data retention: 20 years typical**

### Software Features

- **Supports Common Flash Memory Interface (CFI)**
- **Erase suspend/erase resume**
  - Suspends erase operations to read data from, or program data to, a sector that is not being erased, then resumes the erase operation
- **Data# polling and toggle bits**
  - Provides a software method of detecting the status of program or erase operations
- **Unlock bypass program command**
  - Reduces overall programming time when issuing multiple program command sequences

### Hardware Features

- **Ready/Busy# output (RY/BY#)**
  - Hardware method for detecting program or erase cycle completion
- **Hardware reset pin (RESET#)**
  - Hardware method of resetting the internal state machine to the read mode
- **WP#/ACC input pin**
  - Write protect (WP#) function protects sectors 0, 1, 140, and 141, regardless of sector protect status
  - Acceleration (ACC) function accelerates program timing
- **Sector Protection**
  - Hardware method to prevent any program or erase operation within a sector
  - Temporary Sector Unprotect allows changing data in protected sectors in-system

## General Description

The S29JL064J is a 64 Mbit, 3.0 volt-only flash memory device, organized as 4,194,304 words of 16 bits each or 8,388,608 bytes of 8 bits each. Word mode data appears on DQ15–DQ0; byte mode data appears on DQ7–DQ0. The device is designed to be programmed in-system with the standard 3.0 volt  $V_{CC}$  supply, and can also be programmed in standard EPROM programmers. The device is available with an access time of 55, 60, 70 ns and is offered in a 48-ball FBGA or 48-pin TSOP package. Standard control pins—chip enable (CE#), write enable (WE#), and output enable (OE#)—control normal read and write operations, and avoid bus contention issues. The device requires only a **single 3.0 volt power supply** for both read and write functions. Internally generated and regulated voltages are provided for the program and erase operations.

## Table of Contents

<b>Distinctive Characteristics</b> .....	3
<b>General Description</b> .....	3
<b>1. Simultaneous Read/Write Operations with Zero Latency</b> .....	8
1.1 S29JL064J Features .....	8
<b>2. Product Selector Guide</b> .....	9
<b>3. Block Diagram</b> .....	9
<b>4. Connection Diagrams</b> .....	10
4.1 48-pin TSOP Package .....	10
4.2 48-ball FBGA Package .....	10
<b>5. Pin Description</b> .....	11
<b>6. Logic Symbol</b> .....	12
<b>7. Ordering Information</b> .....	13
<b>8. Device Bus Operations</b> .....	14
8.1 Word/Byte Configuration .....	14
8.2 Requirements for Reading Array Data .....	15
8.3 Writing Commands/Command Sequences .....	15
8.4 Simultaneous Read/Write Operations with Zero Latency .....	16
8.5 Standby Mode .....	16
8.6 Automatic Sleep Mode .....	16
8.7 RESET#: Hardware Reset Pin .....	16
8.8 Output Disable Mode .....	17
8.9 Autoselect Mode .....	21
8.10 Boot Sector/Sector Block Protection and Unprotection .....	22
8.11 Write Protect (WP#) .....	23
8.12 Temporary Sector Unprotect .....	24
8.13 Secured Silicon Region .....	26
8.14 Hardware Data Protection .....	27
<b>9. Common Flash Memory Interface (CFI)</b> .....	28
<b>10. Command Definitions</b> .....	31
10.1 Reading Array Data .....	31
10.2 Reset Command .....	31
10.3 Autoselect Command Sequence .....	32
10.4 Enter Secured Silicon Region/Exit Secured Silicon Region Command Sequence .....	32
10.5 Byte/Word Program Command Sequence .....	32
10.6 Chip Erase Command Sequence .....	34
10.7 Sector Erase Command Sequence .....	34
10.8 Erase Suspend/Erase Resume Commands .....	35
<b>11. Write Operation Status</b> .....	37
11.1 DQ7: Data# Polling .....	37
11.2 RY/BY#: Ready/Busy# .....	38
11.3 DQ6: Toggle Bit I .....	39
11.4 DQ2: Toggle Bit II .....	40
11.5 Reading Toggle Bits DQ6/DQ2 .....	41
11.6 DQ5: Exceeded Timing Limits .....	41
11.7 DQ3: Sector Erase Timer .....	41
<b>12. Absolute Maximum Ratings</b> .....	42
<b>13. Operating Ranges</b> .....	43
<b>14. DC Characteristics</b> .....	43
14.1 CMOS Compatible .....	43
14.2 Zero-Power Flash .....	44
<b>15. Test Conditions</b> .....	45

<b>16. Key To Switching Waveforms</b>	45
<b>17. AC Characteristics</b>	46
17.1 Read-Only Operations	46
17.2 Hardware Reset (RESET#)	47
17.3 Word/Byte Configuration (BYTE#)	48
17.4 Erase and Program Operations	49
17.5 Temporary Sector Unprotect	53
17.6 Alternate CE# Controlled Erase and Program Operations	54
<b>18. Erase and Programming Performance</b>	56
<b>19. Pin Capacitance</b>	56
<b>20. Physical Dimensions</b>	57
20.1 TS 048—48-Pin Standard TSOP	57
20.2 VBK048—48-Pin FBGA	58
<b>21. Revision History</b>	59

## Figures

Figure 4.1	48-Pin Standard TSOP . . . . .	10
Figure 4.2	48-ball FBGA . . . . .	10
Figure 8.1	Temporary Sector Unprotect Operation . . . . .	24
Figure 8.2	In-System Sector Protect/Unprotect Algorithms . . . . .	25
Figure 8.3	Secured Silicon Region Protect Verify . . . . .	27
Figure 10.1	Program Operation . . . . .	33
Figure 10.2	Erase Operation . . . . .	35
Figure 11.1	Data# Polling Algorithm . . . . .	38
Figure 11.2	Toggle Bit Algorithm . . . . .	40
Figure 12.1	Maximum Negative Overshoot Waveform . . . . .	42
Figure 12.2	Maximum Positive Overshoot Waveform . . . . .	42
Figure 14.1	I <sub>CC1</sub> Current vs. Time (Showing Active and Automatic Sleep Currents) . . . . .	44
Figure 14.2	Typical I <sub>CC1</sub> vs. Frequency . . . . .	44
Figure 15.1	Test Setup . . . . .	45
Figure 16.1	Input Waveforms and Measurement Levels . . . . .	45
Figure 17.1	Read Operation Timings . . . . .	46
Figure 17.2	Reset Timings . . . . .	47
Figure 17.3	BYTE# Timings for Read Operations . . . . .	48
Figure 17.4	BYTE# Timings for Write Operations . . . . .	48
Figure 17.5	Program Operation Timings . . . . .	50
Figure 17.6	Accelerated Program Timing Diagram . . . . .	50
Figure 17.7	Chip/Sector Erase Operation Timings . . . . .	51
Figure 17.8	Back-to-back Read/Write Cycle Timings . . . . .	51
Figure 17.9	Data# Polling Timings (During Embedded Algorithms) . . . . .	52
Figure 17.10	Toggle Bit Timings (During Embedded Algorithms) . . . . .	52
Figure 17.11	DQ2 vs. DQ6 . . . . .	53
Figure 17.12	Temporary Sector Unprotect Timing Diagram . . . . .	53
Figure 17.13	Sector/Sector Block Protect and Unprotect Timing Diagram . . . . .	54
Figure 17.14	Alternate CE# Controlled Write (Erase/Program) Operation Timings . . . . .	55

## Tables

Table 8.1	S29JL064J Device Bus Operations . . . . .	14
Table 8.2	S29JL064J Sector Architecture . . . . .	17
Table 8.3	Bank Address. . . . .	20
Table 8.4	Secured Silicon Region Addresses . . . . .	20
Table 8.5	S29JL064J Autoselect Codes, (High Voltage Method) . . . . .	21
Table 8.6	S29JL064J Boot Sector/Sector Block Addresses for Protection/Unprotection . . . . .	22
Table 8.7	WP#/ACC Modes. . . . .	23
Table 9.1	CFI Query Identification String. . . . .	28
Table 9.2	System Interface String . . . . .	28
Table 9.3	Device Geometry Definition . . . . .	29
Table 9.4	Primary Vendor-Specific Extended Query . . . . .	30
Table 10.1	S29JL064J Command Definitions . . . . .	36
Table 11.1	Write Operation Status. . . . .	42
Table 15.1	Test Specifications. . . . .	45

# 1. Simultaneous Read/Write Operations with Zero Latency

The Simultaneous Read/Write architecture provides **simultaneous operation** by dividing the memory space into **four banks**, two 8 Mb banks with small and large sectors, and two 24 Mb banks of large sectors. Sector addresses are fixed, system software can be used to form user-defined bank groups.

During an Erase/Program operation, any of the three non-busy banks may be read from. Note that only two banks can operate simultaneously. The device can improve overall system performance by allowing a host system to program or erase in one bank, then immediately and simultaneously read from the other bank, with zero latency. This releases the system from waiting for the completion of program or erase operations.

The S29JL064J is organized as a dual boot device with both top and bottom boot sectors.

Bank	Mbits	Sector Sizes
Bank 1	8 Mb	Eight 8 kbyte/4 kword, Fifteen 64 kbyte/32 kword
Bank 2	24 Mb	Forty-eight 64 kbyte/32 kword
Bank 3	24 Mb	Forty-eight 64 kbyte/32 kword
Bank 4	8 Mb	Eight 8 kbyte/4 kword, Fifteen 64 kbyte/32 kword

## 1.1 S29JL064J Features

The **Secured Silicon Region** is an extra 256 byte sector capable of being permanently locked by Spansion or customers. The Secured Silicon Customer Indicator Bit (DQ6) is permanently set to 1 if the part has been customer locked, and permanently set to 0 if the part has been factory locked. This way, customer lockable parts can never be used to replace a factory locked part.

Factory locked parts provide several options. The Secured Silicon Region may store a secure, random 16 byte ESN (Electronic Serial Number), customer code (programmed through Spansion programming services), or both. Customer Lockable parts may utilize the Secured Silicon Region as bonus space, reading and writing like any other flash sector, or may permanently lock their own code there.

The device offers complete compatibility with the **JEDEC 42.4 single-power-supply Flash command set standard**. Commands are written to the command register using standard microprocessor write timings. Reading data out of the device is similar to reading from other Flash or EPROM devices.

The host system can detect whether a program or erase operation is complete by using the device **status bits**: RY/BY# pin, DQ7 (Data# Polling) and DQ6/DQ2 (toggle bits). After a program or erase cycle has been completed, the device automatically returns to the read mode.

The **sector erase architecture** allows memory sectors to be erased and reprogrammed without affecting the data contents of other sectors. The device is fully erased when shipped from the factory.

**Hardware data protection** measures include a low  $V_{CC}$  detector that automatically inhibits write operations during power transitions. The **hardware sector protection** feature disables both program and erase operations in any combination of the sectors of memory. This can be achieved in-system or via programming equipment.

The **Erase Suspend/Erase Resume** feature enables the user to put erase on hold for any period of time to read data from, or program data to, any sector that is not selected for erasure. True background erase can thus be achieved. If a read is needed from the Secured Silicon Region (One Time Program area) after an erase suspend, then the user must use the proper command sequence to enter and exit this region.

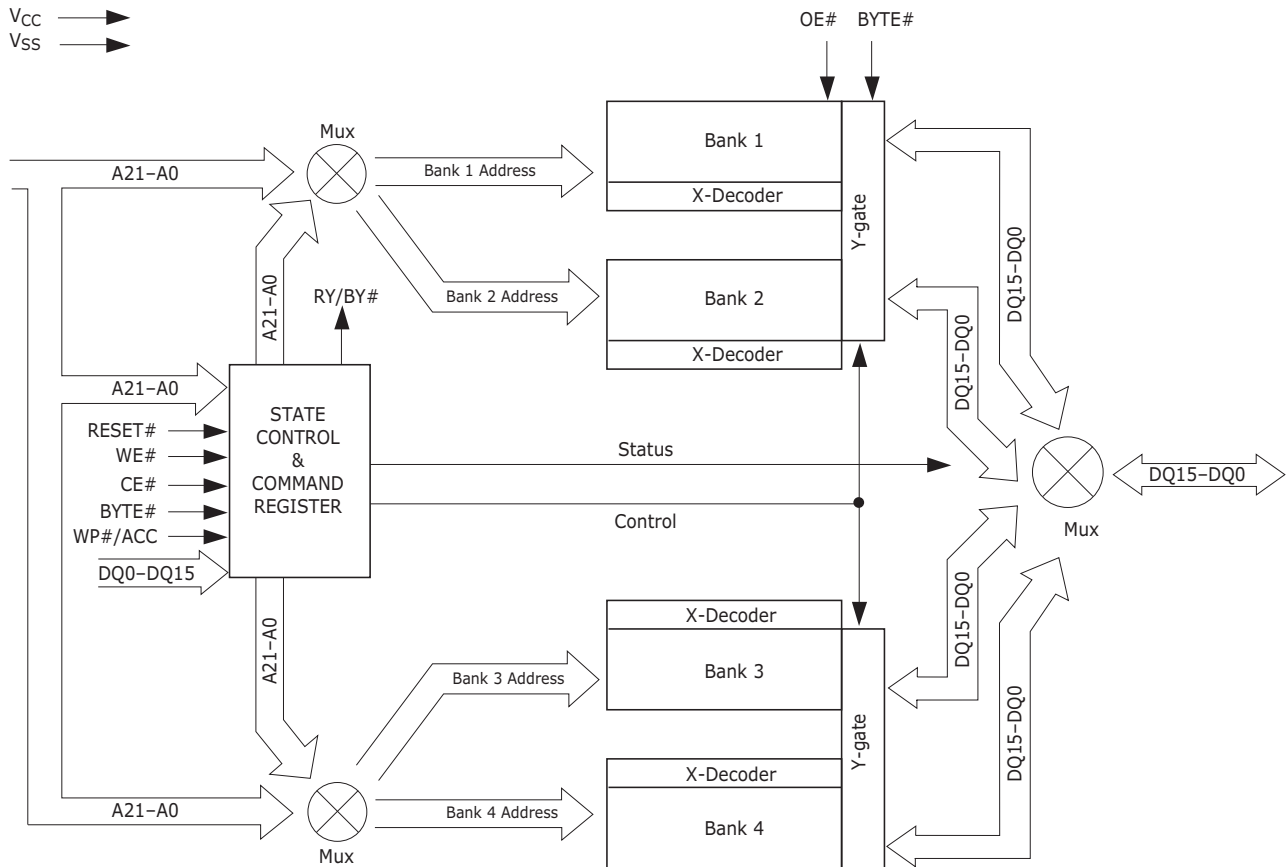
The device offers two power-saving features. When addresses have been stable for a specified amount of time, the device enters the **automatic sleep mode**. The system can also place the device into the **standby mode**. Power consumption is greatly reduced in both modes.



## 2. Product Selector Guide

Part Number		S29JL064J		
Speed Option	Standard Voltage Range: $V_{CC} = 2.7\text{--}3.6\text{V}$	55	60	70
Max Access Time (ns), $t_{ACC}$		55	60	70
CE# Access (ns), $t_{CE}$		55	60	70
OE# Access (ns), $t_{OE}$		25	25	30

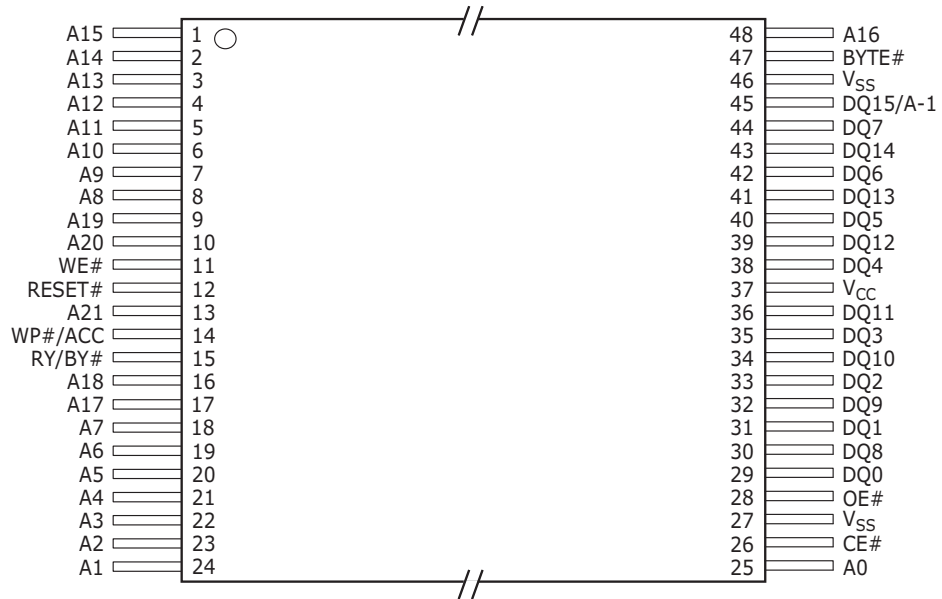
## 3. Block Diagram



## 4. Connection Diagrams

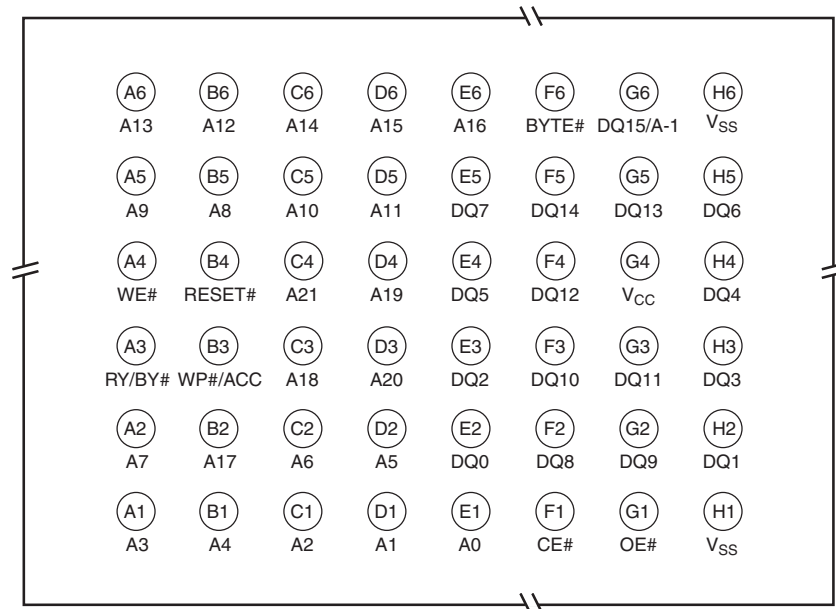
### 4.1 48-pin TSOP Package

Figure 4.1 48-Pin Standard TSOP



### 4.2 48-ball FBGA Package

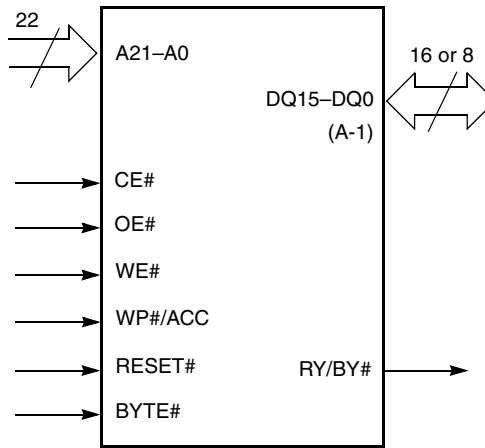
Figure 4.2 48-ball FBGA



## 5. Pin Description

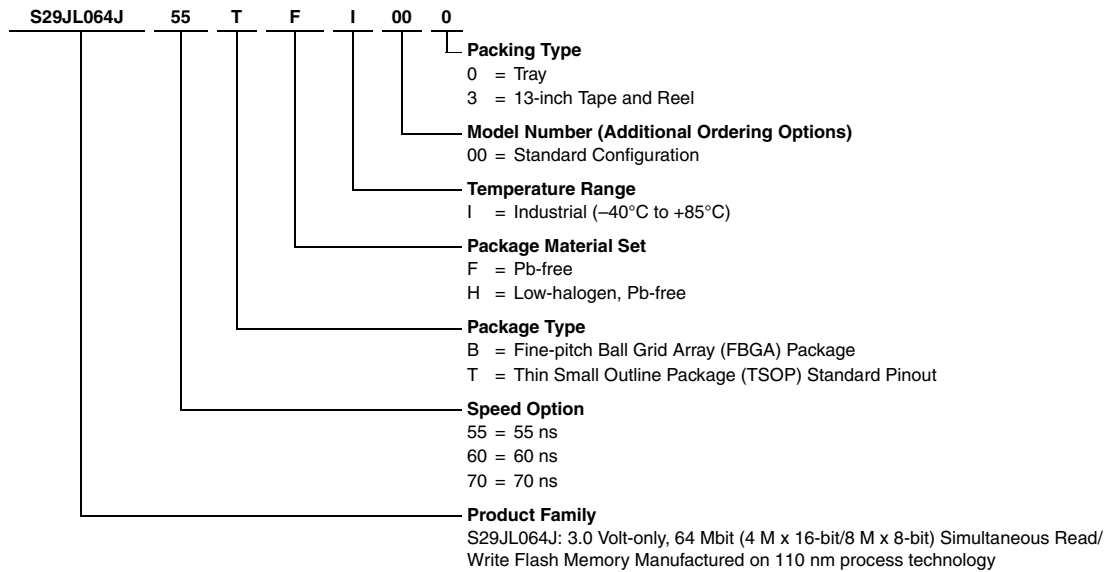
A21–A0	22 Address pins
DQ14–DQ0	15 Data Inputs/Outputs (x16-only devices)
DQ15/A-1	DQ15 (Data Input/Output, word mode), A-1 (LSB Address Input, byte mode)
CE#	Chip Enable, Active Low
OE#	Output Enable, Active Low
WE#	Write Enable, Active Low
WP#/ACC	Hardware Write Protect/Acceleration Pin
RESET#	Hardware Reset Pin, Active Low
BYTE#	Selects 8-bit or 16-bit mode, Active Low
RY/BY#	Ready/Busy Output, Active Low
V <sub>CC</sub>	3.0 volt-only single power supply (see <a href="#">Product Selector Guide on page 9</a> for speed options and voltage supply tolerances)
V <sub>SS</sub>	Device Ground
NC	Not Connected. No device internal signal is connected to the package connector nor is there any future plan to use the connector for a signal. The connection may safely be used for routing space for a signal on a Printed Circuit Board (PCB).
DNU	Do Not Use. A device internal signal may be connected to the package connector. The connection may be used by Spansion for test or other purposes and is not intended for connection to any host system signal. Any DNU signal related function will be inactive when the signal is at V <sub>IL</sub> . The signal has an internal pull-down resistor and may be left unconnected in the host system or may be tied to V <sub>SS</sub> . Do not use these connections for PCB signal routing channels. Do not connect any host system signal to these connections.
RFU	Reserved for Future Use. No device internal signal is currently connected to the package connector but there is potential future use for the connector for a signal. It is recommended to not use RFU connectors for PCB routing channels so that the PCB may take advantage of future enhanced features in compatible footprint devices.

## 6. Logic Symbol



## 7. Ordering Information

The order number is formed by a valid combination of the following:



S29JL064J Valid Combinations							
Device Number/ Description	Speed (ns)	Package Type & Material	Temperature Range	Model Number	Packing Type	Package Description	
S29JL064J	55, 60, 70	TF	I	00	0, 3 (1)	TS048	TSOP
		BH				VBK048	FBGA

**Note:**

1. Packing type 0 is standard. Specify other options as required.

## 8. Device Bus Operations

This section describes the requirements and use of the device bus operations, which are initiated through the internal command register. The command register itself does not occupy any addressable memory location. The register is a latch used to store the commands, along with the address and data information needed to execute the command. The contents of the register serve as inputs to the internal state machine. The state machine outputs dictate the function of the device. [Table 8.1](#) lists the device bus operations, the inputs and control levels they require, and the resulting output. The following subsections describe each of these operations in further detail.

**Table 8.1** S29JL064J Device Bus Operations

Operation	CE#	OE#	WE#	RESET#	WP#/ACC	Addresses (Note 1)	DQ15–DQ8		DQ7–DQ0
							BYTE# = V <sub>IH</sub>	BYTE# = V <sub>IL</sub>	
Read	L	L	H	H	L/H	A <sub>IN</sub>	D <sub>OUT</sub>	DQ14–DQ8 = High-Z, DQ15 = A-1	D <sub>OUT</sub>
Write	L	H	L	H	(Note 3)	A <sub>IN</sub>	D <sub>IN</sub>		D <sub>IN</sub>
Standby	V <sub>CC</sub> ± 0.3V	X	X	V <sub>CC</sub> ± 0.3V	L/H	X	High-Z	High-Z	High-Z
Output Disable	L	H	H	H	L/H	X	High-Z	High-Z	High-Z
Reset	X	X	X	L	L/H	X	High-Z	High-Z	High-Z
Sector Protect (Note 2)	L	H	L	V <sub>ID</sub>	L/H	SA, A6 = L, A1 = H, A0 = L	X	X	D <sub>IN</sub>
Sector Unprotect (Note 2)	L	H	L	V <sub>ID</sub>	(Note 3)	SA, A6 = H, A1 = H, A0 = L	X	X	D <sub>IN</sub>
Temporary Sector Unprotect	X	X	X	V <sub>ID</sub>	(Note 3)	A <sub>IN</sub>	D <sub>IN</sub>	High-Z	D <sub>IN</sub>

**Legend**

L = Logic Low = V<sub>IL</sub>  
H = Logic High = V<sub>IH</sub>  
V<sub>ID</sub> = 11.5–12.5V  
V<sub>HH</sub> = 9.0 ± 0.5V  
X = Don't Care  
SA = Sector Address  
A<sub>IN</sub> = Address In  
D<sub>IN</sub> = Data In  
D<sub>OUT</sub> = Data Out

**Notes:**

- Addresses are A21:A0 in word mode (BYTE# = V<sub>IH</sub>), A21:A-1 in byte mode (BYTE# = V<sub>IL</sub>).
- The sector protect and sector unprotect functions may also be implemented via programming equipment. See [Boot Sector/Sector Block Protection and Unprotection on page 22](#).
- If WP#/ACC = V<sub>IL</sub>, sectors 0, 1, 140, and 141 remain protected. If WP#/ACC = V<sub>IH</sub>, protection on sectors 0, 1, 140, and 141 depends on whether they were last protected or unprotected using the method described in [Boot Sector/Sector Block Protection and Unprotection on page 22](#). If WP#/ACC = V<sub>HH</sub>, all sectors will be unprotected.

### 8.1 Word/Byte Configuration

The BYTE# pin controls whether the device data I/O pins operate in the byte or word configuration. If the BYTE# pin is set at logic '1', the device is in word configuration, DQ15–DQ0 are active and controlled by CE# and OE#.

If the BYTE# pin is set at logic '0', the device is in byte configuration, and only data I/O pins DQ7–DQ0 are active and controlled by CE# and OE#. The data I/O pins DQ14–DQ8 are tri-stated, and the DQ15 pin is used as an input for the LSB (A-1) address function.

## 8.2 Requirements for Reading Array Data

To read array data from the outputs, the system must drive the CE# and OE# pins to  $V_{IL}$ . CE# is the power control and selects the device. OE# is the output control and gates array data to the output pins. WE# should remain at  $V_{IH}$ . The BYTE# pin determines whether the device outputs array data in words or bytes.

The internal state machine is set for reading array data upon device power-up, or after a hardware reset. This ensures that no spurious alteration of the memory content occurs during the power transition. No command is necessary in this mode to obtain array data. Standard microprocessor read cycles that assert valid addresses on the device address inputs produce valid data on the device data outputs. Each bank remains enabled for read access until the command register contents are altered.

Refer to [Read-Only Operations on page 46](#) for timing specifications and to [Figure 17.1 on page 46](#) for the timing diagram.  $I_{CC1}$  in [DC Characteristics on page 43](#) represents the active current specification for reading array data.

## 8.3 Writing Commands/Command Sequences

To write a command or command sequence (which includes programming data to the device and erasing sectors of memory), the system must drive WE# and CE# to  $V_{IL}$ , and OE# to  $V_{IH}$ .

For program operations, the BYTE# pin determines whether the device accepts program data in bytes or words. Refer to [Word/Byte Configuration on page 14](#) for more information.

The device features an **Unlock Bypass** mode to facilitate faster programming. Once a bank enters the Unlock Bypass mode, only two write cycles are required to program a word or byte, instead of four. [Byte/Word Program Command Sequence on page 32](#) has details on programming data to the device using both standard and Unlock Bypass command sequences.

An erase operation can erase one sector, multiple sectors, or the entire device. [Table 8.3 on page 20](#) indicates the address space that each sector occupies. Similarly, a *sector address* is the address bits required to uniquely select a sector. [Command Definitions on page 31](#) has details on erasing a sector or the entire chip, or suspending/resuming the erase operation.

The device address space is divided into four banks. A *bank address* is the address bits required to uniquely select a bank.

$I_{CC2}$  in the [DC Characteristics on page 43](#) represents the active current specification for the write mode. [AC Characteristics on page 46](#) contains timing specification tables and timing diagrams for write operations.

### 8.3.1 Accelerated Program Operation

The device offers accelerated program operations through the ACC function. This is one of two functions provided by the WP#/ACC pin. This function is primarily intended to allow faster manufacturing throughput at the factory.

If the system asserts  $V_{HH}$  on this pin, the device automatically enters the aforementioned Unlock Bypass mode, temporarily unprotects any protected sectors, and uses the higher voltage on the pin to reduce the time required for program operations. The system would use a two-cycle program command sequence as required by the Unlock Bypass mode. Removing  $V_{HH}$  from the WP#/ACC pin returns the device to normal operation. Note that  $V_{HH}$  must not be asserted on WP#/ACC for operations other than accelerated programming, or device damage may result. In addition, the WP#/ACC pin must not be left floating or unconnected; inconsistent behavior of the device may result. See [Write Protect \(WP#\) on page 23](#) for related information.

### 8.3.2 Autoselect Functions

If the system writes the autoselect command sequence, the device enters the autoselect mode. The system can then read autoselect codes from the internal register (which is separate from the memory array) on DQ15–DQ0. Standard read cycle timings apply in this mode. Refer to [Autoselect Mode on page 21](#) and [Autoselect Command Sequence on page 32](#) for more information.

## 8.4 Simultaneous Read/Write Operations with Zero Latency

This device is capable of reading data from one bank of memory while programming or erasing in another bank of memory. An erase operation may also be suspended to read from or program to another location within the same bank (except the sector being erased). [Figure 17.8 on page 51](#) shows how read and write cycles may be initiated for simultaneous operation with zero latency.  $I_{CC6}$  and  $I_{CC7}$  in the [DC Characteristics on page 43](#) represent the current specifications for read-while-program and read-while-erase, respectively.

## 8.5 Standby Mode

When the system is not reading or writing to the device, it can place the device in the standby mode. In this mode, current consumption is greatly reduced, and the outputs are placed in the high impedance state, independent of the OE# input.

The device enters the CMOS standby mode when the CE# and RESET# pins are both held at  $V_{CC} \pm 0.3V$ . (Note that this is a more restricted voltage range than  $V_{IH}$ .) If CE# and RESET# are held at  $V_{IH}$ , but not within  $V_{CC} \pm 0.3V$ , the device will be in the standby mode, but the standby current will be greater. The device requires standard access time ( $t_{CE}$ ) for read access when the device is in either of these standby modes, before it is ready to read data.

If the device is deselected during erasure or programming, the device draws active current until the operation is completed.

$I_{CC3}$  in [DC Characteristics on page 43](#) represents the standby current specification.

## 8.6 Automatic Sleep Mode

The automatic sleep mode minimizes Flash device energy consumption. The device automatically enables this mode when addresses remain stable for  $t_{ACC} + 30$  ns. The automatic sleep mode is independent of the CE#, WE#, and OE# control signals. Standard address access timings provide new data when addresses are changed. While in sleep mode, output data is latched and always available to the system.  $I_{CC5}$  in [DC Characteristics on page 43](#) represents the automatic sleep mode current specification.

## 8.7 RESET#: Hardware Reset Pin

The RESET# pin provides a hardware method of resetting the device to reading array data. When the RESET# pin is driven low for at least a period of  $t_{RP}$ , the device immediately terminates any operation in progress, tristates all output pins, and ignores all read/write commands for the duration of the RESET# pulse. The device also resets the internal state machine to reading array data. The operation that was interrupted should be reinitiated once the device is ready to accept another command sequence, to ensure data integrity.

Current is reduced for the duration of the RESET# pulse. When RESET# is held at  $V_{SS} \pm 0.3V$ , the device draws CMOS standby current ( $I_{CC4}$ ). If RESET# is held at  $V_{IL}$  but not within  $V_{SS} \pm 0.3V$ , the standby current will be greater.

The RESET# pin may be tied to the system reset circuitry. A system reset would thus also reset the Flash memory, enabling the system to read the boot-up firmware from the Flash memory.

If RESET# is asserted during a program or erase operation, the RY/BY# pin remains a "0" (busy) until the internal reset operation is complete, which requires a time of  $t_{READY}$  (during Embedded Algorithms). The system can thus monitor RY/BY# to determine whether the reset operation is complete. If RESET# is asserted when a program or erase operation is not executing (RY/BY# pin is "1"), the reset operation is completed within a time of  $t_{READY}$  (not during Embedded Algorithms). The system can read data  $t_{RH}$  after the RESET# pin returns to  $V_{IH}$ .

Refer to [Hardware Reset \(RESET#\) on page 47](#) for RESET# parameters and to [Figure 17.2 on page 47](#) for the timing diagram.



## 8.8 Output Disable Mode

When the OE# input is at  $V_{IH}$ , output from the device is disabled. The output pins are placed in the high impedance state.

**Table 8.2** S29JL064J Sector Architecture (Sheet 1 of 4)

Bank	Sector	Sector Address A21–A12	Sector Size (kbytes/kwords)	(x8) Address Range	(x16) Address Range
Bank 1	SA0	0000000000	8/4	000000h–001FFFh	00000h–00FFFh
	SA1	0000000001	8/4	002000h–003FFFh	01000h–01FFFh
	SA2	0000000010	8/4	004000h–005FFFh	02000h–02FFFh
	SA3	0000000011	8/4	006000h–007FFFh	03000h–03FFFh
	SA4	0000000100	8/4	008000h–009FFFh	04000h–04FFFh
	SA5	0000000101	8/4	00A000h–00BFFFh	05000h–05FFFh
	SA6	0000000110	8/4	00C000h–00DFFFh	06000h–06FFFh
	SA7	0000000111	8/4	00E000h–00FFFFh	07000h–07FFFh
	SA8	000001xxx	64/32	010000h–01FFFFh	08000h–0FFFFh
	SA9	000010xxx	64/32	020000h–02FFFFh	10000h–17FFFh
	SA10	000011xxx	64/32	030000h–03FFFFh	18000h–1FFFFh
	SA11	0000100xxx	64/32	040000h–04FFFFh	20000h–27FFFh
	SA12	0000101xxx	64/32	050000h–05FFFFh	28000h–2FFFFh
	SA13	0000110xxx	64/32	060000h–06FFFFh	30000h–37FFFh
	SA14	0000111xxx	64/32	070000h–07FFFFh	38000h–3FFFFh
	SA15	0001000xxx	64/32	080000h–08FFFFh	40000h–47FFFh
	SA16	0001001xxx	64/32	090000h–09FFFFh	48000h–4FFFFh
	SA17	0001010xxx	64/32	0A0000h–0AFFFFh	50000h–57FFFh
	SA18	0001011xxx	64/32	0B0000h–0BFFFFh	58000h–5FFFFh
	SA19	0001100xxx	64/32	0C0000h–0CFFFFh	60000h–67FFFh
	SA20	0001101xxx	64/32	0D0000h–0DFFFFh	68000h–6FFFFh
	SA21	0001110xxx	64/32	0E0000h–0EFFFFh	70000h–77FFFh
SA22	0001111xxx	64/32	0F0000h–0FFFFFh	78000h–7FFFFh	

Table 8.2 S29JL064J Sector Architecture (Sheet 2 of 4)

Bank	Sector	Sector Address A21–A12	Sector Size (kbytes/kwords)	(x8) Address Range	(x16) Address Range
Bank 2	SA23	0010000xxx	64/32	10000h–10FFFFh	80000h–87FFFh
	SA24	0010001xxx	64/32	110000h–11FFFFh	88000h–8FFFFh
	SA25	0010010xxx	64/32	120000h–12FFFFh	90000h–97FFFh
	SA26	0010011xxx	64/32	130000h–13FFFFh	98000h–9FFFFh
	SA27	0010100xxx	64/32	140000h–14FFFFh	A0000h–A7FFFh
	SA28	0010101xxx	64/32	150000h–15FFFFh	A8000h–AFFFFh
	SA29	0010110xxx	64/32	160000h–16FFFFh	B0000h–B7FFFh
	SA30	0010111xxx	64/32	170000h–17FFFFh	B8000h–BFFFFh
	SA31	0011000xxx	64/32	180000h–18FFFFh	C0000h–C7FFFh
	SA32	0011001xxx	64/32	190000h–19FFFFh	C8000h–CFFFFh
	SA33	0011010xxx	64/32	1A0000h–1AFFFFh	D0000h–D7FFFh
	SA34	0011011xxx	64/32	1B0000h–1BFFFFh	D8000h–DFFFFh
	SA35	0011000xxx	64/32	1C0000h–1CFFFFh	E0000h–E7FFFh
	SA36	0011101xxx	64/32	1D0000h–1DFFFFh	E8000h–EFFFFh
	SA37	0011110xxx	64/32	1E0000h–1EFFFFh	F0000h–F7FFFh
	SA38	0011111xxx	64/32	1F0000h–1FFFFFh	F8000h–FFFFFh
	SA39	0100000xxx	64/32	200000h–20FFFFh	100000h–107FFFh
	SA40	0100001xxx	64/32	210000h–21FFFFh	108000h–10FFFFh
	SA41	0100010xxx	64/32	220000h–22FFFFh	110000h–117FFFh
	SA42	0101011xxx	64/32	230000h–23FFFFh	118000h–11FFFFh
	SA43	0100100xxx	64/32	240000h–24FFFFh	120000h–127FFFh
	SA44	0100101xxx	64/32	250000h–25FFFFh	128000h–12FFFFh
	SA45	0100110xxx	64/32	260000h–26FFFFh	130000h–137FFFh
	SA46	0100111xxx	64/32	270000h–27FFFFh	138000h–13FFFFh
	SA47	0101000xxx	64/32	280000h–28FFFFh	140000h–147FFFh
	SA48	0101001xxx	64/32	290000h–29FFFFh	148000h–14FFFFh
	SA49	0101010xxx	64/32	2A0000h–2AFFFFh	150000h–157FFFh
	SA50	0101011xxx	64/32	2B0000h–2BFFFFh	158000h–15FFFFh
	SA51	0101100xxx	64/32	2C0000h–2CFFFFh	160000h–167FFFh
	SA52	0101101xxx	64/32	2D0000h–2DFFFFh	168000h–16FFFFh
	SA53	0101110xxx	64/32	2E0000h–2EFFFFh	170000h–177FFFh
	SA54	0101111xxx	64/32	2F0000h–2FFFFFh	178000h–17FFFFh
	SA55	0110000xxx	64/32	300000h–30FFFFh	180000h–187FFFh
	SA56	0110001xxx	64/32	310000h–31FFFFh	188000h–18FFFFh
	SA57	0110010xxx	64/32	320000h–32FFFFh	190000h–197FFFh
	SA58	0110011xxx	64/32	330000h–33FFFFh	198000h–19FFFFh
	SA59	0110100xxx	64/32	340000h–34FFFFh	1A0000h–1A7FFFh
	SA60	0110101xxx	64/32	350000h–35FFFFh	1A8000h–1AFFFFh
	SA61	0110110xxx	64/32	360000h–36FFFFh	1B0000h–1B7FFFh
	SA62	0110111xxx	64/32	370000h–37FFFFh	1B8000h–1BFFFFh
	SA63	0111000xxx	64/32	380000h–38FFFFh	1C0000h–1C7FFFh
	SA64	0111001xxx	64/32	390000h–39FFFFh	1C8000h–1CFFFFh
	SA65	0111010xxx	64/32	3A0000h–3AFFFFh	1D0000h–1D7FFFh
	SA66	0111011xxx	64/32	3B0000h–3BFFFFh	1D8000h–1DFFFFh
	SA67	0111100xxx	64/32	3C0000h–3CFFFFh	1E0000h–1E7FFFh
	SA68	0111101xxx	64/32	3D0000h–3DFFFFh	1E8000h–1EFFFFh
	SA69	0111110xxx	64/32	3E0000h–3EFFFFh	1F0000h–1F7FFFh
	SA70	0111111xxx	64/32	3F0000h–3FFFFFh	1F8000h–1FFFFFh

Table 8.2 S29JL064J Sector Architecture (Sheet 3 of 4)

Bank	Sector	Sector Address A21–A12	Sector Size (kbytes/kwords)	(x8) Address Range	(x16) Address Range
Bank 3	SA71	100000xxx	64/32	40000h–40FFFFh	20000h–207FFFh
	SA72	100001xxx	64/32	41000h–41FFFFh	20800h–20FFFFh
	SA73	100010xxx	64/32	42000h–42FFFFh	21000h–217FFFh
	SA74	100011xxx	64/32	43000h–43FFFFh	21800h–21FFFFh
	SA75	1000100xxx	64/32	44000h–44FFFFh	22000h–227FFFh
	SA76	1000101xxx	64/32	45000h–45FFFFh	22800h–22FFFFh
	SA77	1000110xxx	64/32	46000h–46FFFFh	23000h–237FFFh
	SA78	1000111xxx	64/32	47000h–47FFFFh	23800h–23FFFFh
	SA79	1001000xxx	64/32	48000h–48FFFFh	24000h–247FFFh
	SA80	1001001xxx	64/32	49000h–49FFFFh	24800h–24FFFFh
	SA81	1001010xxx	64/32	4A000h–4AFFFFh	25000h–257FFFh
	SA82	1001011xxx	64/32	4B000h–4BFFFFh	25800h–25FFFFh
	SA83	1001100xxx	64/32	4C000h–4CFFFFh	26000h–267FFFh
	SA84	1001101xxx	64/32	4D000h–4DFFFFh	26800h–26FFFFh
	SA85	1001110xxx	64/32	4E000h–4EFFFFh	27000h–277FFFh
	SA86	1001111xxx	64/32	4F000h–4FFFFFh	27800h–27FFFFh
	SA87	1010000xxx	64/32	50000h–50FFFFh	28000h–287FFFh
	SA88	1010001xxx	64/32	51000h–51FFFFh	28800h–28FFFFh
	SA89	1010010xxx	64/32	52000h–52FFFFh	29000h–297FFFh
	SA90	1010011xxx	64/32	53000h–53FFFFh	29800h–29FFFFh
	SA91	1010100xxx	64/32	54000h–54FFFFh	2A000h–2A7FFFh
	SA92	1010101xxx	64/32	55000h–55FFFFh	2A800h–2AFFFFh
	SA93	1010110xxx	64/32	56000h–56FFFFh	2B000h–2B7FFFh
	SA94	1010111xxx	64/32	57000h–57FFFFh	2B800h–2BFFFFh
	SA95	1011000xxx	64/32	58000h–58FFFFh	2C000h–2C7FFFh
	SA96	1011001xxx	64/32	59000h–59FFFFh	2C800h–2CFFFFh
	SA97	1011010xxx	64/32	5A000h–5AFFFFh	2D000h–2D7FFFh
	SA98	1011011xxx	64/32	5B000h–5BFFFFh	2D800h–2DFFFFh
	SA99	1011100xxx	64/32	5C000h–5CFFFFh	2E000h–2E7FFFh
	SA100	1011101xxx	64/32	5D000h–5DFFFFh	2E800h–2EFFFFh
	SA101	1011110xxx	64/32	5E000h–5EFFFFh	2F000h–2FFFFFh
	SA102	1011111xxx	64/32	5F000h–5FFFFFh	2F800h–2FFFFFh
SA103	1100000xxx	64/32	60000h–60FFFFh	30000h–307FFFh	
SA104	1100001xxx	64/32	61000h–61FFFFh	30800h–30FFFFh	
SA105	1100010xxx	64/32	62000h–62FFFFh	31000h–317FFFh	
SA106	1100011xxx	64/32	63000h–63FFFFh	31800h–31FFFFh	
SA107	1100100xxx	64/32	64000h–64FFFFh	32000h–327FFFh	
SA108	1100101xxx	64/32	65000h–65FFFFh	32800h–32FFFFh	
SA109	1100110xxx	64/32	66000h–66FFFFh	33000h–337FFFh	
SA110	1100111xxx	64/32	67000h–67FFFFh	33800h–33FFFFh	
SA111	1101000xxx	64/32	68000h–68FFFFh	34000h–347FFFh	
SA112	1101001xxx	64/32	69000h–69FFFFh	34800h–34FFFFh	
SA113	1101010xxx	64/32	6A000h–6AFFFFh	35000h–357FFFh	
SA114	1101011xxx	64/32	6B000h–6BFFFFh	35800h–35FFFFh	
SA115	1101100xxx	64/32	6C000h–6CFFFFh	36000h–367FFFh	
SA116	1101101xxx	64/32	6D000h–6DFFFFh	36800h–36FFFFh	
SA117	1101110xxx	64/32	6E000h–6EFFFFh	37000h–377FFFh	
SA118	1101111xxx	64/32	6F000h–6FFFFFh	37800h–37FFFFh	

**Table 8.2** S29JL064J Sector Architecture (Sheet 4 of 4)

Bank	Sector	Sector Address A21–A12	Sector Size (kbytes/kwords)	(x8) Address Range	(x16) Address Range
Bank 4	SA119	1110000xxx	64/32	700000h–70FFFFh	380000h–387FFFh
	SA120	1110001xxx	64/32	710000h–71FFFFh	388000h–38FFFFh
	SA121	1110010xxx	64/32	720000h–72FFFFh	390000h–397FFFh
	SA122	1110011xxx	64/32	730000h–73FFFFh	398000h–39FFFFh
	SA123	1110100xxx	64/32	740000h–74FFFFh	3A0000h–3A7FFFh
	SA124	1110101xxx	64/32	750000h–75FFFFh	3A8000h–3AFFFFh
	SA125	1110110xxx	64/32	760000h–76FFFFh	3B0000h–3B7FFFh
	SA126	1110111xxx	64/32	770000h–77FFFFh	3B8000h–3BFFFFh
	SA127	1111000xxx	64/32	780000h–78FFFFh	3C0000h–3C7FFFh
	SA128	1111001xxx	64/32	790000h–79FFFFh	3C8000h–3CFFFFh
	SA129	1111010xxx	64/32	7A0000h–7AFFFFh	3D0000h–3D7FFFh
	SA130	1111011xxx	64/32	7B0000h–7BFFFFh	3D8000h–3DFFFFh
	SA131	1111100xxx	64/32	7C0000h–7CFFFFh	3E0000h–3E7FFFh
	SA132	1111101xxx	64/32	7D0000h–7DFFFFh	3E8000h–3EFFFFh
	SA133	1111110xxx	64/32	7E0000h–7EFFFFh	3F0000h–3F7FFFh
	SA134	1111111000	8/4	7F0000h–7F1FFFh	3F8000h–3F8FFFh
	SA135	1111111001	8/4	7F2000h–7F3FFFh	3F9000h–3F9FFFh
	SA136	1111111010	8/4	7F4000h–7F5FFFh	3FA000h–3FAFFFh
	SA137	1111111011	8/4	7F6000h–7F7FFFh	3FB000h–3FBFFFh
	SA138	1111111100	8/4	7F8000h–7F9FFFh	3FC000h–3FCFFFh
SA139	1111111101	8/4	7FA000h–7FBFFFh	3FD000h–3FDFFFh	
SA140	1111111110	8/4	7FC000h–7FDFFFh	3FE000h–3FEFFFh	
SA141	1111111111	8/4	7FE000h–7FFFFFh	3FF000h–3FFFFFh	

**Note:**

The address range is A21:A-1 in byte mode (BYTE# = V<sub>IJ</sub>) or A21:A0 in word mode (BYTE# = V<sub>IH</sub>).

**Table 8.3** Bank Address

Bank	A21–A19
1	000
2	001, 010, 011
3	100, 101, 110
4	111

**Table 8.4** Secured Silicon Region Addresses

Device	Sector Size	(x8) Address Range	(x16) Address Range
S29JL064J	256 bytes	000000h–0000FFh	000000h–00007Fh

## 8.9 Autoselect Mode

The autoselect mode provides manufacturer and device identification, and sector protection verification, through identifier codes output on DQ7–DQ0. This mode is primarily intended for programming equipment to automatically match a device to be programmed with its corresponding programming algorithm. However, the autoselect codes can also be accessed in-system through the command register.

When using programming equipment, the autoselect mode requires  $V_{ID}$  on address pin A9. Address pins must be as shown in Table 8.5. In addition, when verifying sector protection, the sector address must appear on the appropriate highest order address bits (see Table 8.3 on page 20). Table 8.5 shows the remaining address bits that are don't care. When all necessary bits have been set as required, the programming equipment may then read the corresponding identifier code on DQ7–DQ0. However, the autoselect codes can also be accessed in-system through the command register, for instances when the S29JL064J is erased or programmed in a system without access to high voltage on the A9 pin. The command sequence is illustrated in Table 10.1 on page 36. *Note that if a Bank Address (BA) on address bits A21, A20, and A19 is asserted during the third write cycle of the autoselect command, the host system can read autoselect data from that bank and then immediately read array data from another bank, without exiting the autoselect mode.*

To access the autoselect codes in-system, the host system can issue the autoselect command via the command register, as shown in Table 10.1 on page 36. This method does not require  $V_{ID}$ . Refer to [Autoselect Command Sequence on page 32](#) for more information.

**Table 8.5** S29JL064J Autoselect Codes, (High Voltage Method)

Description	CE#	OE#	WE#	A21 to A12	A11 to A10	A9	A8 to A7	A6	A5 to A4	A3	A2	A1	A0	DQ15 to DQ8		DQ7 to DQ0		
														BYTE# = $V_{IH}$	BYTE# = $V_{IL}$			
Manufacturer ID: Spansion Products	L	L	H	BA	X	$V_{ID}$	X	L	X	L	L	L	L	X	X	01h		
Device ID	Read Cycle 1	L	L	H	BA	X	$V_{ID}$	X	L	X	L	L	L	H	22h	X	7Eh	
	Read Cycle 2										H	H	H	L			22h	02h
	Read Cycle 3										L	H	H	H			22h	01h
Sector Protection Verification	L	L	H	SA	X	$V_{ID}$	X	L	X	L	L	H	L	X	X	01h (protected), 00h (unprotected)		
Secured Silicon Indicator Bit (DQ6, DQ7)	L	L	H	BA	X	$V_{ID}$	X	L	X	L	L	H	H	X	X	81h (Factory Locked), 41h (Customer Locked), 01h (Not Locked)		

### Legend

L = Logic Low =  $V_{IL}$

H = Logic High =  $V_{IH}$

BA = Bank Address

SA = Sector Address

X = Don't care.

## 8.10 Boot Sector/Sector Block Protection and Unprotection

Note: For the following discussion, the term *sector* applies to both boot sectors and sector blocks. A sector block consists of two or more adjacent sectors that are protected or unprotected at the same time (see [Table 8.6](#)).

The hardware sector protection feature disables both program and erase operations in any sector. The hardware sector unprotection feature re-enables both program and erase operations in previously protected sectors. Sector protection/unprotection can be implemented via two methods.

**Table 8.6** S29JL064J Boot Sector/Sector Block Addresses for Protection/Unprotection (Sheet 1 of 2)

Sector	A21–A12	Sector/Sector Block Size
SA0	000000000	8 kbytes
SA1	000000001	8 kbytes
SA2	000000010	8 kbytes
SA3	000000011	8 kbytes
SA4	000000100	8 kbytes
SA5	000000101	8 kbytes
SA6	000000110	8 kbytes
SA7	000000111	8 kbytes
SA8–SA10	000001XXX, 000010XXX, 0000011XXX,	192 (3x64) kbytes
SA11–SA14	00001XXXXX	256 (4x64) kbytes
SA15–SA18	00010XXXXX	256 (4x64) kbytes
SA19–SA22	00011XXXXX	256 (4x64) kbytes
SA23–SA26	00100XXXXX	256 (4x64) kbytes
SA27–SA30	00101XXXXX	256 (4x64) kbytes
SA31–SA34	00110XXXXX	256 (4x64) kbytes
SA35–SA38	00111XXXXX	256 (4x64) kbytes
SA39–SA42	01000XXXXX	256 (4x64) kbytes
SA43–SA46	01001XXXXX	256 (4x64) kbytes
SA47–SA50	01010XXXXX	256 (4x64) kbytes
SA51–SA54	01011XXXXX	256 (4x64) kbytes
SA55–SA58	01100XXXXX	256 (4x64) kbytes
SA59–SA62	01101XXXXX	256 (4x64) kbytes
SA63–SA66	01110XXXXX	256 (4x64) kbytes
SA67–SA70	01111XXXXX	256 (4x64) kbytes
SA71–SA74	10000XXXXX	256 (4x64) kbytes
SA75–SA78	10001XXXXX	256 (4x64) kbytes
SA79–SA82	10010XXXXX	256 (4x64) kbytes
SA83–SA86	10011XXXXX	256 (4x64) kbytes
SA87–SA90	10100XXXXX	256 (4x64) kbytes
SA91–SA94	10101XXXXX	256 (4x64) kbytes
SA95–SA98	10110XXXXX	256 (4x64) kbytes
SA99–SA102	10111XXXXX	256 (4x64) kbytes
SA103–SA106	11000XXXXX	256 (4x64) kbytes
SA107–SA110	11001XXXXX	256 (4x64) kbytes
SA111–SA114	11010XXXXX	256 (4x64) kbytes
SA115–SA118	11011XXXXX	256 (4x64) kbytes
SA119–SA122	11100XXXXX	256 (4x64) kbytes
SA123–SA126	11101XXXXX	256 (4x64) kbytes
SA127–SA130	11110XXXXX	256 (4x64) kbytes

**Table 8.6** S29JL064J Boot Sector/Sector Block Addresses for Protection/Unprotection (Sheet 2 of 2)

Sector	A21–A12	Sector/Sector Block Size
SA131–SA133	1111100XXX, 1111101XXX, 1111110XXX	192 (3x64) kbytes
SA134	1111111000	8 kbytes
SA135	1111111001	8 kbytes
SA136	1111111010	8 kbytes
SA137	1111111011	8 kbytes
SA138	1111111100	8 kbytes
SA139	1111111101	8 kbytes
SA140	1111111110	8 kbytes
SA141	1111111111	8 kbytes

Sector Protect/Sector Unprotect requires  $V_{ID}$  on the RESET# pin only, and can be implemented either in-system or via programming equipment. [Figure 8.2 on page 25](#) shows the algorithms and [Figure 17.13 on page 54](#) shows the timing diagram. For sector unprotect, all unprotected sectors must first be protected prior to the first sector unprotect write cycle. *Note that the sector unprotect algorithm unprotects all sectors in parallel. All previously protected sectors must be individually re-protected.* To change data in protected sectors efficiently, the temporary sector unprotect function is available. See [Temporary Sector Unprotect on page 24](#).

The device is shipped with all sectors unprotected. Optional Spansion programming service enable programming and protecting sectors at the factory prior to shipping the device. Contact your local sales office for details.

It is possible to determine whether a sector is protected or unprotected. See [Autoselect Mode on page 21](#) for details.

## 8.11 Write Protect (WP#)

The Write Protect function provides a hardware method of protecting without using  $V_{ID}$ . This function is one of two provided by the WP#/ACC pin.

If the system asserts  $V_{IL}$  on the WP#/ACC pin, the device disables program and erase functions in sectors 0, 1, 140, and 141, independently of whether those sectors were protected or unprotected using the method described in [Boot Sector/Sector Block Protection and Unprotection on page 22](#).

If the system asserts  $V_{IH}$  on the WP#/ACC pin, the device reverts to whether sectors 0, 1, 140, and 141 were last set to be protected or unprotected. That is, sector protection or unprotection for these sectors depends on whether they were last protected or unprotected using the method described in [Boot Sector/Sector Block Protection and Unprotection on page 22](#).

Note that the WP#/ACC pin must not be left floating or unconnected; inconsistent behavior of the device may result.

**Table 8.7** WP#/ACC Modes

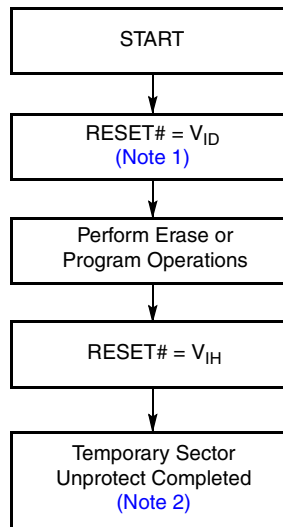
WP# Input Voltage	Device Mode
$V_{IL}$	Disables programming and erasing in SA0, SA1, SA140, and SA141
$V_{IH}$	Enables programming and erasing in SA0, SA1, SA140, and SA141, dependent on whether they were last protected or unprotected.
$V_{HH}$	Enables accelerated programming (ACC). <a href="#">See Accelerated Program Operation on page 15</a> .

## 8.12 Temporary Sector Unprotect

Note: For the following discussion, the term *sector* applies to both sectors and sector blocks. A sector block consists of two or more adjacent sectors that are protected or unprotected at the same time (see [Table 8.6 on page 22](#)).

This feature allows temporary unprotection of previously protected sectors to change data in-system. The Temporary Sector Unprotect mode is activated by setting the RESET# pin to  $V_{ID}$ . During this mode, formerly protected sectors can be programmed or erased by selecting the sector addresses. Once  $V_{ID}$  is removed from the RESET# pin, all the previously protected sectors are protected again. [Figure 8.1](#) shows the algorithm, and [Figure 17.12 on page 53](#) shows the timing diagrams, for this feature. If the WP#/ACC pin is at  $V_{IL}$ , sectors 0, 1, 140, and 141 will remain protected during the Temporary sector Unprotect mode.

**Figure 8.1** Temporary Sector Unprotect Operation

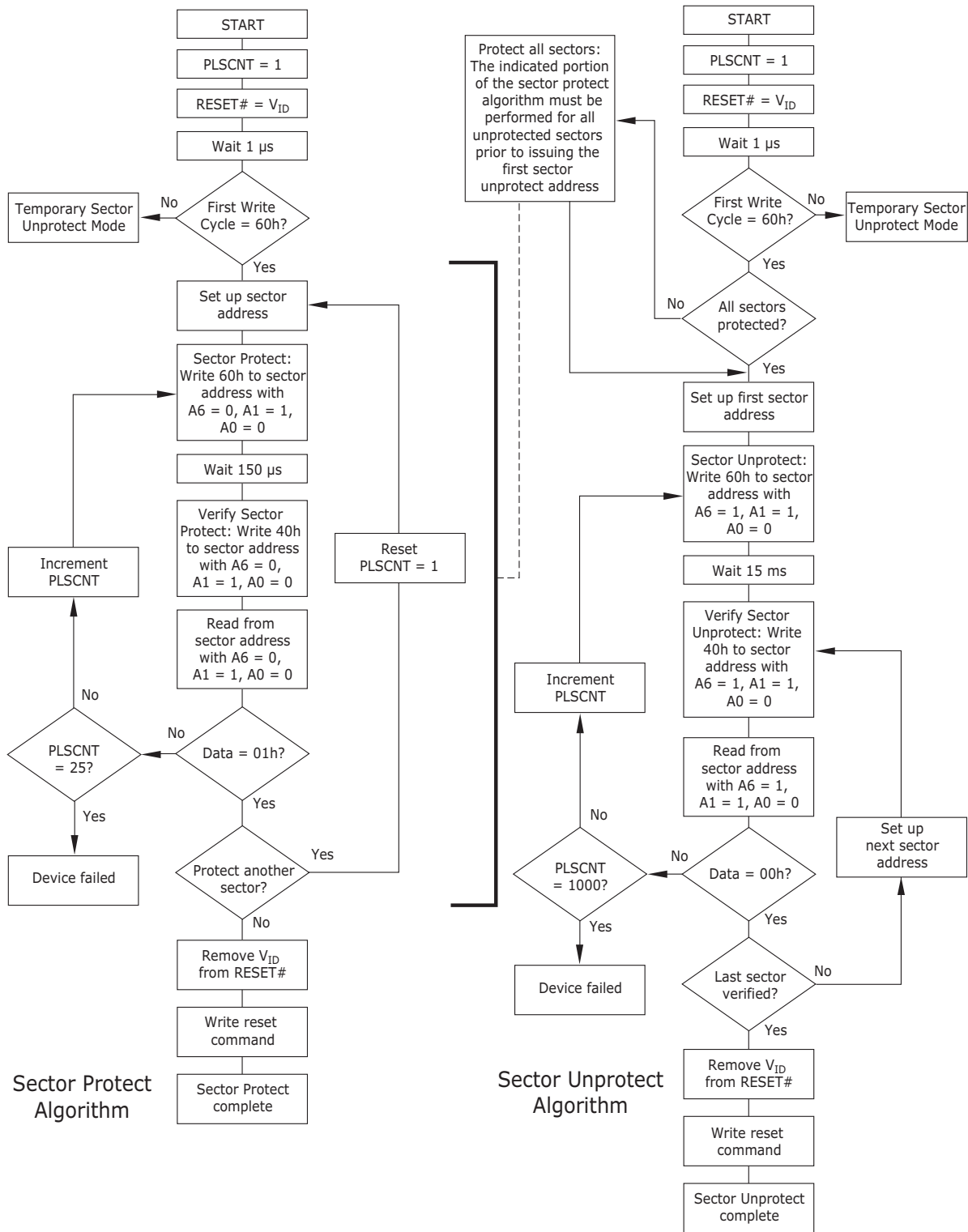


**Notes:**

1. All protected sectors unprotected (If WP#/ACC =  $V_{IL}$ , sectors 0, 1, 140, and 141 will remain protected).
2. All previously protected sectors are protected once again.



Figure 8.2 In-System Sector Protect/Unprotect Algorithms



## 8.13 Secured Silicon Region

The Secured Silicon Region feature provides a Flash memory region that enables permanent part identification through an Electronic Serial Number (ESN). The Secured Silicon Region is 256 bytes in length, and may shipped unprotected, allowing customers to utilize that sector in any manner they choose, or may shipped locked at the factory (upon customer request). The Secured Silicon Indicator Bit data will be 81h if factory locked, 41h if customer locked, or 01h if neither. Refer to [Table 8.5 on page 21](#) for more details.

The system accesses the Secured Silicon Region through a command sequence (see [Enter Secured Silicon Region/Exit Secured Silicon Region Command Sequence on page 32](#)). After the system has written the Enter Secured Silicon Region command sequence, it may read the Secured Silicon Region by using the addresses normally occupied by the boot sectors. This mode of operation continues until the system issues the Exit Secured Silicon Region command sequence, or until power is removed from the device. On power-up, or following a hardware reset, the device reverts to sending commands to the first 256 bytes of Sector 0. *Note that the ACC function and unlock bypass modes are not available when the Secured Silicon Region is enabled.*

### 8.13.1 Factory Locked: Secured Silicon Region Programmed and Protected At the Factory

In a factory locked device, the Secured Silicon Region is protected when the device is shipped from the factory. The Secured Silicon Region cannot be modified in any way. The device is preprogrammed with both a random number and a secure ESN. The 8-word random number is at addresses 000000h–000007h in word mode (or 000000h–00000Fh in byte mode). The secure ESN is programmed in the next 8 words at addresses 000008h–00000Fh (or 000010h–00001Fh in byte mode). The device is available preprogrammed with one of the following:

- A random, secure ESN only
- Customer code through Spansion programming services
- Both a random, secure ESN and customer code through Spansion programming services

Contact an your local sales office for details on using Spansion programming services.

### 8.13.2 Customer Lockable: Secured Silicon Region NOT Programmed or Protected At the Factory

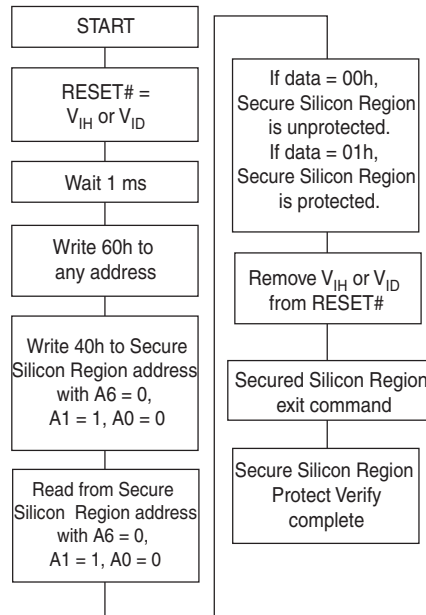
If the security feature is not required, the Secured Silicon Region can be treated as an additional Flash memory space. The Secured Silicon Region can be read any number of times, but can be programmed and locked only once. Note that the accelerated programming (ACC) and unlock bypass functions are not available when programming the Secured Silicon Region.

- Write the three-cycle Enter Secured Silicon Region command sequence, and then follow the in-system sector protect algorithm as shown in [Figure 8.2 on page 25](#), except that *RESET# may be at either  $V_{IH}$  or  $V_{ID}$* . This allows in-system protection of the Secured Silicon Region without raising any device pin to a high voltage. Note that this method is only applicable to the Secured Silicon Region.
- To verify the protect/unprotect status of the Secured Silicon Region, follow the algorithm shown in [Figure 8.3 on page 27](#).

Once the Secured Silicon Region is locked and verified, the system must write the Exit Secured Silicon Region command sequence to return to reading and writing the remainder of the array.

The Secured Silicon Region lock must be used with caution since, once locked, there is no procedure available for unlocking the Secured Silicon Region and none of the bits in the Secured Silicon Region memory space can be modified in any way.

Figure 8.3 Secured Silicon Region Protect Verify



## 8.14 Hardware Data Protection

The command sequence requirement of unlock cycles for programming or erasing provides data protection against inadvertent writes (refer to [Table 10.1 on page 36](#) for command definitions). In addition, the following hardware data protection measures prevent accidental erasure or programming, which might otherwise be caused by spurious system level signals during  $V_{CC}$  power-up and power-down transitions, or from system noise.

### 8.14.1 Low $V_{CC}$ Write Inhibit

When  $V_{CC}$  is less than  $V_{LKO}$ , the device does not accept any write cycles. This protects data during  $V_{CC}$  power-up and power-down. The command register and all internal program/erase circuits are disabled, and the device resets to the read mode. Subsequent writes are ignored until  $V_{CC}$  is greater than  $V_{LKO}$ . The system must provide the proper signals to the control pins to prevent unintentional writes when  $V_{CC}$  is greater than  $V_{LKO}$ .

### 8.14.2 Write Pulse Glitch Protection

Noise pulses of less than 5 ns (typical) on OE#, CE# or WE# do not initiate a write cycle.

### 8.14.3 Logical Inhibit

Write cycles are inhibited by holding any one of OE# =  $V_{IL}$ , CE# =  $V_{IH}$  or WE# =  $V_{IH}$ . To initiate a write cycle, CE# and WE# must be a logical zero while OE# is a logical one.

### 8.14.4 Power-Up Write Inhibit

If WE# = CE# =  $V_{IL}$  and OE# =  $V_{IH}$  during power up, the device does not accept commands on the rising edge of WE#. The internal state machine is automatically reset to the read mode on power-up.

## 9. Common Flash Memory Interface (CFI)

The Common Flash Interface (CFI) specification outlines device and host system software interrogation handshake, which allows specific vendor-specified software algorithms to be used for entire families of devices. Software support can then be device-independent, JEDEC ID-independent, and forward- and backward-compatible for the specified flash device families. Flash vendors can standardize their existing interfaces for long-term compatibility.

This device enters the CFI Query mode when the system writes the CFI Query command, 98h, to address 55h in word mode (or address AAh in byte mode), any time the device is ready to read array data. The system can read CFI information at the addresses given in [Table 9.1 on page 28](#) to [Table 9.4 on page 30](#). To terminate reading CFI data, the system must write the reset command. The CFI Query mode is not accessible when the device is executing an Embedded Program or embedded Erase algorithm.

The system can also write the CFI query command when the device is in the autoselect mode via the command register only (high voltage method does not apply). The device enters the CFI query mode, and the system can read CFI data at the addresses given in [Table 9.1 on page 28](#) to [Table 9.4 on page 30](#). The system must write the reset command to return to reading array data.

For further information, please refer to the CFI Specification and CFI Publication 100. Contact your local sales office for copies of these documents.

**Table 9.1** CFI Query Identification String

Addresses (Word Mode)	Addresses (Byte Mode)	Data	Description
10h 11h 12h	20h 22h 24h	0051h 0052h 0059h	Query Unique ASCII string "QRY"
13h 14h	26h 28h	0002h 0000h	Primary OEM Command Set
15h 16h	2Ah 2Ch	0040h 0000h	Address for Primary Extended Table
17h 18h	2Eh 30h	0000h 0000h	Alternate OEM Command Set (00h = none exists)
19h 1Ah	32h 34h	0000h 0000h	Address for Alternate OEM Extended Table (00h = none exists)

**Table 9.2** System Interface String

Addresses (Word Mode)	Addresses (Byte Mode)	Data	Description
1Bh	36h	0027h	V <sub>CC</sub> Min. (write/erase) D7–D4: volt, D3–D0: 100 millivolt
1Ch	38h	0036h	V <sub>CC</sub> Max. (write/erase) D7–D4: volt, D3–D0: 100 millivolt
1Dh	3Ah	0000h	V <sub>PP</sub> Min. voltage (00h = no V <sub>PP</sub> pin present)
1Eh	3Ch	0000h	V <sub>PP</sub> Max. voltage (00h = no V <sub>PP</sub> pin present)
1Fh	3Eh	0003h	Typical timeout per single byte/word write 2 <sup>N</sup> μs
20h	40h	0000h	Typical timeout for Min. size buffer write 2 <sup>N</sup> μs (00h = not supported)
21h	42h	0009h	Typical timeout per individual block erase 2 <sup>N</sup> ms
22h	44h	000Fh	Typical timeout for full chip erase 2 <sup>N</sup> ms (00h = not supported)
23h	46h	0004h	Max. timeout for byte/word write 2 <sup>N</sup> times typical
24h	48h	0000h	Max. timeout for buffer write 2 <sup>N</sup> times typical
25h	4Ah	0004h	Max. timeout per individual block erase 2 <sup>N</sup> times typical
26h	4Ch	0000h	Max. timeout for full chip erase 2 <sup>N</sup> times typical (00h = not supported)

Table 9.3 Device Geometry Definition

Addresses (Word Mode)	Addresses (Byte Mode)	Data	Description
27h	4Eh	0017h	Device Size = 2 <sup>N</sup> byte
28h 29h	50h 52h	0002h 0000h	Flash Device Interface description (refer to the CFI publication 100)
2Ah 2Bh	54h 56h	0000h 0000h	Max. number of byte in multi-byte write = 2 <sup>N</sup> (00h = not supported)
2Ch	58h	0003h	Number of Erase Block Regions within device
2Dh 2Eh 2Fh 30h	5Ah 5Ch 5Eh 60h	0007h 0000h 0020h 0000h	Erase Block Region 1 Information (refer to the CFI specification or CFI publication 100)
31h 32h 33h 34h	62h 64h 66h 68h	007Dh 0000h 0000h 0001h	Erase Block Region 2 Information (refer to the CFI specification or CFI publication 100)
35h 36h 37h 38h	6Ah 6Ch 6Eh 70h	0007h 0000h 0020h 0000h	Erase Block Region 3 Information (refer to the CFI specification or CFI publication 100)
39h 3Ah 3Bh 3Ch	72h 74h 76h 78h	0000h 0000h 0000h 0000h	Erase Block Region 4 Information (refer to the CFI specification or CFI publication 100)

**Table 9.4** Primary Vendor-Specific Extended Query

Addresses (Word Mode)	Addresses (Byte Mode)	Data	Description
40h 41h 42h	80h 82h 84h	0050h 0052h 0049h	Query-unique ASCII string "PRI"
43h	86h	0031h	Major version number, ASCII (reflects modifications to the silicon)
44h	88h	0033h	Minor version number, ASCII (reflects modifications to the CFI table)
45h	8Ah	000Ch	Address Sensitive Unlock (Bits 1-0) 0 = Required, 1 = Not Required Process Technology (Bits 7-2) 0011 = 0.11 $\mu$ m Floating Gate
46h	8Ch	0002h	Erase Suspend 0 = Not Supported, 1 = To Read Only, 2 = To Read & Write
47h	8Eh	0001h	Sector Protect 0 = Not Supported, X = Number of sectors per group
48h	90h	0001h	Sector Temporary Unprotect 00 = Not Supported, 01 = Supported
49h	92h	0004h	Sector Protect/Unprotect scheme 01 = 29F040 mode, 02 = 29F016 mode, 03 = 29F400, 04 = 29LV800 mode
4Ah	94h	0077h	Simultaneous Operation 00 = Not Supported, X = Number of Sectors (excluding Bank 1)
4Bh	96h	0000h	Burst Mode Type 00 = Not Supported, 01 = Supported
4Ch	98h	0000h	Page Mode Type 00 = Not Supported, 01 = 4 Word Page, 02 = 8 Word Page
4Dh	9Ah	0085h	ACC (Acceleration) Supply Minimum 00h = Not Supported, D7-D4: Volt, D3-D0: 100 mV
4Eh	9Ch	0095h	ACC (Acceleration) Supply Maximum 00h = Not Supported, D7-D4: Volt, D3-D0: 100 mV
4Fh	9Eh	0001h	Top/Bottom Boot Sector Flag 00h = Uniform device, 01h = 8 x 8 kbyte Sectors, Top And Bottom Boot with Write Protect, 02h = Bottom Boot Device, 03h = Top Boot Device, 04h = Both Top and Bottom
50h	A0h	0000h	Program Suspend 0 = Not supported, 1 = Supported
57h	A Eh	0004h	Bank Organization 00 = Data at 4Ah is zero, X = Number of Banks
58h	B0h	0017h	Bank 1 Region Information X = Number of Sectors in Bank 1
59h	B2h	0030h	Bank 2 Region Information X = Number of Sectors in Bank 2
5Ah	B4h	0030h	Bank 3 Region Information X = Number of Sectors in Bank 3
5Bh	B6h	0017h	Bank 4 Region Information X = Number of Sectors in Bank 4

## 10. Command Definitions

Writing specific address and data sequences into the command register initiates device operations.

[Table 10.1 on page 36](#) defines the valid register command sequences. *Writing incorrect address and data values or writing them in the improper sequence may place the device in an unknown state. A reset command is then required to return the device to reading array data.*

All addresses are latched on the falling edge of WE# or CE#, whichever happens later. All data is latched on the rising edge of WE# or CE#, whichever happens first. Refer to [AC Characteristics on page 46](#) for timing diagrams.

### 10.1 Reading Array Data

The device is automatically set to reading array data after device power-up. No commands are required to retrieve data. Each bank is ready to read array data after completing an Embedded Program or Embedded Erase algorithm.

After the device accepts an Erase Suspend command, the corresponding bank enters the erase-suspend-read mode, after which the system can read data from any non-erase-suspended sector within the same bank. The system can read array data using the standard read timing, except that if it reads at an address within erase-suspended sectors, the device outputs status data. After completing a programming operation in the Erase Suspend mode, the system may once again read array data with the same exception. See [Erase Suspend/Erase Resume Commands on page 35](#) for more information.

The system *must* issue the reset command to return a bank to the read (or erase-suspend-read) mode if DQ5 goes high during an active program or erase operation, or if the bank is in the autoselect mode. See [Reset Command on page 31](#) for more information.

See [Requirements for Reading Array Data on page 15](#) for more information. [Read-Only Operations on page 46](#) provides the read parameters, and [Figure 17.1 on page 46](#) shows the timing diagram.

### 10.2 Reset Command

Writing the reset command resets the banks to the read or erase-suspend-read mode. Address bits are don't cares for this command.

The reset command may be written between the sequence cycles in an erase command sequence before erasing begins. This resets the bank to which the system was writing to the read mode. Once erasure begins, however, the device ignores reset commands until the operation is complete.

The reset command may be written between the sequence cycles in a program command sequence before programming begins. This resets the bank to which the system was writing to the read mode. If the program command sequence is written to a bank that is in the Erase Suspend mode, writing the reset command returns that bank to the erase-suspend-read mode. Once programming begins, however, the device ignores reset commands until the operation is complete.

The reset command may be written between the sequence cycles in an autoselect command sequence. Once in the autoselect mode, the reset command must be written to return to the read mode. If a bank entered the autoselect mode while in the Erase Suspend mode, writing the reset command returns that bank to the erase-suspend-read mode.

If DQ5 goes high during a program or erase operation, writing the reset command returns the bank to the read mode (or erase-suspend-read mode if that bank was in Erase Suspend). Please note that the RY/BY# signal remains low until this reset is issued.

### 10.3 Autoselect Command Sequence

The autoselect command sequence allows the host system to access the manufacturer and device codes, and determine whether or not a sector is protected. The autoselect command sequence may be written to an address within a bank that is either in the read or erase-suspend-read mode. The autoselect command may not be written while the device is actively programming or erasing in another bank.

The autoselect command sequence is initiated by first writing two unlock cycles. This is followed by a third write cycle that contains the bank address and the autoselect command. The bank then enters the autoselect mode. The system may read any number of autoselect codes without re-initiating the command sequence.

[Table 10.1 on page 36](#) shows the address and data requirements. To determine sector protection information, the system must write to the appropriate bank address (BA) and sector address (SA). [Table 8.3 on page 20](#) shows the address range and bank number associated with each sector.

The system must write the reset command to return to the read mode (or erase-suspend-read mode if the bank was previously in Erase Suspend).

### 10.4 Enter Secured Silicon Region/Exit Secured Silicon Region Command Sequence

The system can access the Secured Silicon Region by issuing the three-cycle Enter Secured Silicon Region command sequence. The device continues to access the Secured Silicon Region until the system issues the four-cycle Exit Secured Silicon Region command sequence. The Exit Secured Silicon Region command sequence returns the device to normal operation. The Secured Silicon Region is not accessible when the device is executing an Embedded Program or embedded Erase algorithm. [Table 10.1 on page 36](#) shows the address and data requirements for both command sequences. See also [Secured Silicon Region on page 26](#) for further information. *Note that the ACC function and unlock bypass modes are not available when the Secured Silicon Region is enabled.*

### 10.5 Byte/Word Program Command Sequence

The system may program the device by word or byte, depending on the state of the BYTE# pin. Programming is a four-bus-cycle operation. The program command sequence is initiated by writing two unlock write cycles, followed by the program set-up command. The program address and data are written next, which in turn initiate the Embedded Program algorithm. The system is *not* required to provide further controls or timings. The device automatically provides internally generated program pulses and verifies the programmed cell margin. [Table 10.1 on page 36](#) shows the address and data requirements for the byte program command sequence.

When the Embedded Program algorithm is complete, that bank then returns to the read mode and addresses are no longer latched. The system can determine the status of the program operation by using DQ7, DQ6, or RY/BY#. Refer to [Write Operation Status on page 37](#) for information on these status bits.

Any commands written to the device during the Embedded Program Algorithm are ignored. Note that a **hardware reset** immediately terminates the program operation. The program command sequence should be reinitiated once that bank has returned to the read mode, to ensure data integrity. *Note that the Secured Silicon Region, autoselect, and CFI functions are unavailable when a program operation is in progress.*

Programming is allowed in any sequence and across sector boundaries. **A bit cannot be programmed from 0 back to a 1.** Attempting to do so may cause that bank to set DQ5 = 1, or cause the DQ7 and DQ6 status bits to indicate the operation was successful. However, a succeeding read will show that the data is still 0. Only erase operations can convert a 0 to a 1.



## 10.5.1 Unlock Bypass Command Sequence

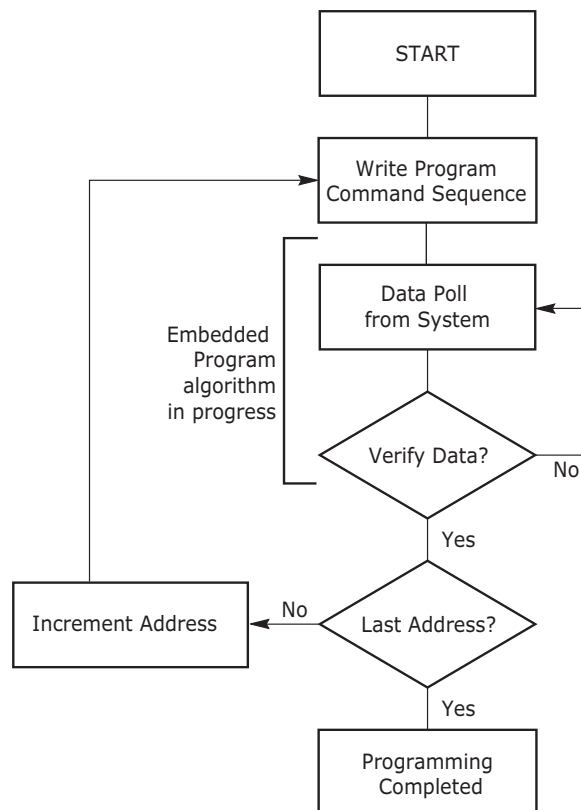
The unlock bypass feature allows the system to program bytes or words to a bank faster than using the standard program command sequence. The unlock bypass command sequence is initiated by first writing two unlock cycles. This is followed by a third write cycle containing the unlock bypass command, 20h. That bank then enters the unlock bypass mode. A two-cycle unlock bypass program command sequence is all that is required to program in this mode. The first cycle in this sequence contains the unlock bypass program command, A0h; the second cycle contains the program address and data. Additional data is programmed in the same manner. This mode dispenses with the initial two unlock cycles required in the standard program command sequence, resulting in faster total programming time. [Table 10.1 on page 36](#) shows the requirements for the command sequence.

During the unlock bypass mode, only the Unlock Bypass Program and Unlock Bypass Reset commands are valid. To exit the unlock bypass mode, the system must issue the two-cycle unlock bypass reset command sequence. (See [Table 10.1 on page 36](#)).

The device offers accelerated program operations through the WP#/ACC pin. When the system asserts  $V_{HH}$  on the WP#/ACC pin, the device automatically enters the Unlock Bypass mode. The system may then write the two-cycle Unlock Bypass program command sequence. The device uses the higher voltage on the WP#/ACC pin to accelerate the operation. Note that the WP#/ACC pin must not be at  $V_{HH}$  for any operation other than accelerated programming, or device damage may result. In addition, the WP#/ACC pin must not be left floating or unconnected; inconsistent behavior of the device may result.

[Figure 10.1 on page 33](#) illustrates the algorithm for the program operation. Refer to [Erase and Program Operations on page 49](#) for parameters, and [Figure 17.5 on page 50](#) for timing diagrams.

**Figure 10.1** Program Operation



**Note:**

1. See [Table 10.1 on page 36](#) for program command sequence.

## 10.6 Chip Erase Command Sequence

Chip erase is a six bus cycle operation. The chip erase command sequence is initiated by writing two unlock cycles, followed by a set-up command. Two additional unlock write cycles are then followed by the chip erase command, which in turn invokes the Embedded Erase algorithm. The device does *not* require the system to preprogram prior to erase. The Embedded Erase algorithm automatically preprograms and verifies the entire memory for an all zero data pattern prior to electrical erase. The system is not required to provide any controls or timings during these operations. [Table 10.1 on page 36](#) shows the address and data requirements for the chip erase command sequence.

When the Embedded Erase algorithm is complete, that bank returns to the read mode and addresses are no longer latched. The system can determine the status of the erase operation by using DQ7, DQ6, DQ2, or RY/BY#. Refer to [Write Operation Status on page 37](#) for information on these status bits.

Any commands written during the chip erase operation are ignored. However, note that a **hardware reset** immediately terminates the erase operation. If that occurs, the chip erase command sequence should be reinitiated once that bank has returned to reading array data, to ensure data integrity. *Note that the Secured Silicon Region, autoselect, and CFI functions are unavailable when an erase operation is in progress.*

[Figure 10.2 on page 35](#) illustrates the algorithm for the erase operation. Refer to [Erase and Program Operations on page 49](#) for parameters, and [Figure 17.7 on page 51](#) for timing diagrams.

## 10.7 Sector Erase Command Sequence

Sector erase is a six bus cycle operation. The sector erase command sequence is initiated by writing two unlock cycles, followed by a set-up command. Two additional unlock cycles are written, and are then followed by the address of the sector to be erased, and the sector erase command. [Table 10.1 on page 36](#) shows the address and data requirements for the sector erase command sequence.

The device does *not* require the system to preprogram prior to erase. The Embedded Erase algorithm automatically programs and verifies the entire sector for an all zero data pattern prior to electrical erase. The system is not required to provide any controls or timings during these operations.

After the command sequence is written, a sector erase time-out of 50  $\mu$ s occurs. During the time-out period, additional sector addresses and sector erase commands may be written. However, these additional erase commands are only one bus cycle long and should be identical to the sixth cycle of the standard erase command explained above. Loading the sector erase buffer may be done in any sequence, and the number of sectors may be from one sector to all sectors. The time between these additional cycles must be less than 50  $\mu$ s, otherwise erasure may begin. Any sector erase address and command following the exceeded time-out may or may not be accepted. It is recommended that processor interrupts be disabled during this time to ensure all commands are accepted. The interrupts can be re-enabled after the last Sector Erase command is written. **If any command other than 30h, B0h, F0h is input during the time-out period, the normal operation will not be guaranteed.** The system must rewrite the command sequence and any additional addresses and commands.

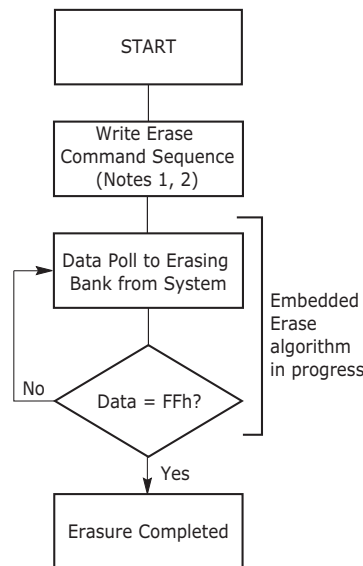
The system can monitor DQ3 to determine if the sector erase timer has timed out (See the section on DQ3: Sector Erase Timer.). The time-out begins from the rising edge of the final WE# or CE# pulse (first rising edge) in the command sequence.

When the Embedded Erase algorithm is complete, the bank returns to reading array data and addresses are no longer latched. Note that while the Embedded Erase operation is in progress, the system can read data from the non-erasing bank. The system can determine the status of the erase operation by reading DQ7, DQ6, DQ2, or RY/BY# in the erasing bank. Refer to [Write Operation Status on page 37](#) for information on these status bits.

Once the sector erase operation has begun, only the Erase Suspend command is valid. All other commands are ignored. However, note that a **hardware reset** immediately terminates the erase operation. If that occurs, the sector erase command sequence should be reinitiated once that bank has returned to reading array data, to ensure data integrity. *Note that the Secured Silicon Region, autoselect, and CFI functions are unavailable when an erase operation is in progress.*

[Figure 10.2 on page 35](#) illustrates the algorithm for the erase operation. Refer to [Erase and Program Operations on page 49](#) for parameters, and [Figure 17.7 on page 51](#) for timing diagrams.

Figure 10.2 Erase Operation

**Notes:**

1. See [Table 10.1 on page 36](#) for erase command sequence.
2. See the section on DQ3 for information on the sector erase timer.

## 10.8 Erase Suspend/Erase Resume Commands

The Erase Suspend command, B0h, allows the system to interrupt a sector erase operation and then read data from, or program data to, any sector not selected for erasure. The bank address is required when writing this command. This command is valid only during the sector erase operation, including the 50  $\mu$ s time-out period during the sector erase command sequence. The Erase Suspend command is ignored if written during the chip erase operation or Embedded Program algorithm. The bank address must contain one of the sectors currently selected for erase.

When the Erase Suspend command is written during the sector erase operation, the device requires a maximum of 35  $\mu$ s to suspend the erase operation. However, when the Erase Suspend command is written during the sector erase time-out, the device immediately terminates the time-out period and suspends the erase operation.

After the erase operation has been suspended, the bank enters the erase-suspend-read mode. The system can read data from or program data to any sector not selected for erasure. (The device *erase suspends* all sectors selected for erasure.) It is not recommended to program the Secured Silicon Region after an erase suspend, as proper device functionality cannot be guaranteed. Reading at any address within erase-suspended sectors produces status information on DQ7–DQ0. The system can use DQ7, or DQ6 and DQ2 together, to determine if a sector is actively erasing or is erase-suspended. Refer to [Write Operation Status on page 37](#) for information on these status bits.

After an erase-suspended program operation is complete, the bank returns to the erase-suspend-read mode. The system can determine the status of the program operation using the DQ7 or DQ6 status bits, just as in the standard Byte Program operation. Refer to [Write Operation Status on page 37](#) for more information.

In the erase-suspend-read mode, the system can also issue the autoselect command sequence. The device allows reading autoselect codes even at addresses within erasing sectors, since the codes are not stored in the memory array. When the device exits the autoselect mode, the device reverts to the Erase Suspend mode, and is ready for another valid operation. Refer to [Autoselect Mode on page 21](#) and [Autoselect Command Sequence on page 32](#) for details.

To resume the sector erase operation, the system must write the Erase Resume command. The bank address of the erase-suspended bank is required when writing this command. Further writes of the Resume command are ignored. Another Erase Suspend command can be written after the chip has resumed erasing.

Table 10.1 S29JL064J Command Definitions

Command Sequence (Note 1)			Cycles	Bus Cycles (Notes 2–5)												
				First		Second		Third		Fourth		Fifth		Sixth		
				Addr	Data	Addr	Data	Addr	Data	Addr	Data	Addr	Data	Addr	Data	
Read (Note 6)			1	RA	RD											
Reset (Note 7)			1	XXX	F0											
Autoselect (Note 8)	Manufacturer ID	Word	4	555	AA	2AA	55	(BA)555	90	(BA)X00	01					
		Byte		AAA		555		(BA)AAA								
	Device ID (Note 9)	Word	6	555	AA	2AA	55	(BA)555	90	(BA)X01	7E	(BA)X0E	02	(BA)X0F	01	
		Byte		AAA		555		(BA)AAA		(BA)X02		(BA)X1C		(BA)X1E		
	Secured Silicon Region Factory Protect (Note 10)	Word	4	555	AA	2AA	55	(BA)555	90	(BA)X03	81/41/01					
		Byte		AAA		555		(BA)AAA		(BA)X06						
	Boot Sector/Sector Block Protect Verify (Note 11)	Word	4	555	AA	2AA	55	(BA)555	90	(SA)X02	00/01					
		Byte		AAA		555		(BA)AAA		(SA)X04						
Enter Secured Silicon Region	Word	3	555	AA	2AA	55	555	88								
	Byte		AAA		555		AAA									
Exit Secured Silicon Region	Word	4	555	AA	2AA	55	555	90	XXX	00						
	Byte		AAA		555		AAA									
Program	Word	4	555	AA	2AA	55	555	A0	PA	PD						
	Byte		AAA		555		AAA									
Unlock Bypass	Word	3	555	AA	2AA	55	555	20								
	Byte		AAA		555		AAA									
Unlock Bypass Program (Note 12)			2	XXX	A0	PA	PD									
Unlock Bypass Reset (Note 13)			2	XXX	90	XXX	00									
Chip Erase	Word	6	555	AA	2AA	55	555	80	555	AA	2AA	55	555	10		
	Byte		AAA		555		AAA		AAA		555		AAA			
Sector Erase (Note 17)	Word	6	555	AA	2AA	55	555	80	555	AA	2AA	55	SA	30		
	Byte		AAA		555		AAA		AAA		555					
Erase Suspend (Note 14)			1	BA	B0											
Erase Resume (Note 15)			1	BA	30											
CFI Query (Note 16)	Word	1	55	98												
	Byte		AA													

**Legend**

X = Don't care

RA = Address of the memory location to be read.

RD = Data read from location RA during read operation.

PA = Address of the memory location to be programmed. Addresses latch on the falling edge of the WE# or CE# pulse, whichever happens later.

PD = Data to be programmed at location PA. Data latches on the rising edge of WE# or CE# pulse, whichever happens first.

SA = Address of the sector to be verified (in autoselect mode) or erased. Address bits A21–A12 uniquely select any sector. Refer to Table 8.3 on page 20 for information on sector addresses.

BA = Address of the bank that is being switched to autoselect mode, is in bypass mode, or is being erased. A21–A19 uniquely select a bank.

**Notes:**

- See Table 8.1 on page 14 for description of bus operations.
- All values are in hexadecimal.
- Except for the read cycle and the fourth, fifth, and sixth cycle of the autoselect command sequence, all bus cycles are write cycles.
- Data bits DQ15–DQ8 are don't care in command sequences, except for RD and PD.
- Unless otherwise noted, address bits A21–A11 are don't cares for unlock and command cycles, unless SA or PA is required.
- No unlock or command cycles required when bank is reading array data.
- The Reset command is required to return to the read mode (or to the erase-suspend-read mode if previously in Erase Suspend) when a bank is in the autoselect mode, or if DQ5 goes high (while the bank is providing status information).
- The fourth cycle of the autoselect command sequence is a read cycle. The system must provide the bank address to obtain the manufacturer ID, device ID, or Secured Silicon Region factory protect information. Data bits DQ15–DQ8 are don't care. While reading the autoselect addresses, the bank address must be the same until a reset command is given. See Autoselect Command Sequence on page 32 for more information.
- The device ID must be read across the fourth, fifth, and sixth cycles.
- The data is 81h for factory locked, 41h for customer locked, and 01h for not factory/customer locked.

11. The data is 00h for an unprotected sector/sector block and 01h for a protected sector/sector block.
12. The Unlock Bypass command is required prior to the Unlock Bypass Program command.
13. The Unlock Bypass Reset command is required to return to the read mode when the bank is in the unlock bypass mode.
14. The system may read and program in non-erasing sectors, or enter the autoselect mode, when in the Erase Suspend mode. The Erase Suspend command is valid only during a sector erase operation, and requires the bank address.
15. The Erase Resume command is valid only during the Erase Suspend mode, and requires the bank address.
16. Command is valid when device is ready to read array data or when device is in autoselect mode.
17. Additional sector erase commands during the time-out period after an initial sector erase are one cycle long and identical to the sixth cycle of the sector erase command sequence (SA / 30).

## 11. Write Operation Status

The device provides several bits to determine the status of a program or erase operation: DQ2, DQ3, DQ5, DQ6, and DQ7. [Table 11.1 on page 42](#) and the following subsections describe the function of these bits. DQ7 and DQ6 each offer a method for determining whether a program or erase operation is complete or in progress. The device also provides a hardware-based output signal, RY/BY#, to determine whether an Embedded Program or Erase operation is in progress or has been completed.

### 11.1 DQ7: Data# Polling

The Data# Polling bit, DQ7, indicates to the host system whether an Embedded Program or Erase algorithm is in progress or completed, or whether a bank is in Erase Suspend. Data# Polling is valid after the rising edge of the final WE# pulse in the command sequence.

During the Embedded Program algorithm, the device outputs on DQ7 the complement of the datum programmed to DQ7. This DQ7 status also applies to programming during Erase Suspend. When the Embedded Program algorithm is complete, the device outputs the datum programmed to DQ7. The system must provide the program address to read valid status information on DQ7. If a program address falls within a protected sector, Data# Polling on DQ7 is active for approximately 1  $\mu$ s, then that bank returns to the read mode.

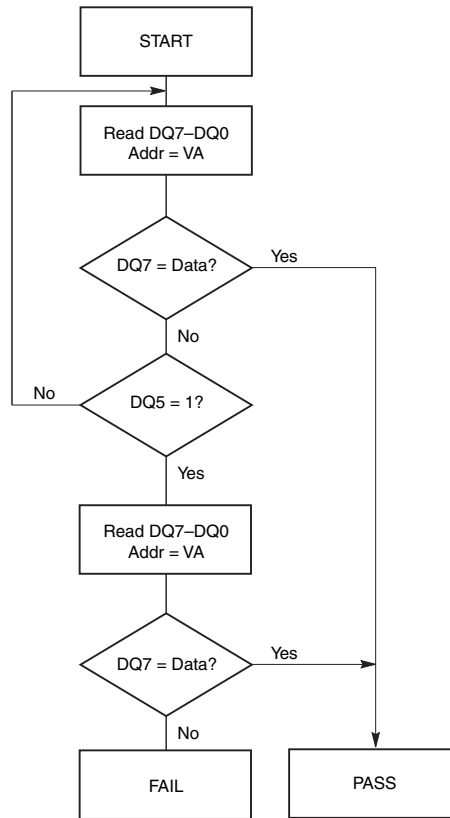
During the Embedded Erase algorithm, Data# Polling produces a 0 on DQ7. When the Embedded Erase algorithm is complete, or if the bank enters the Erase Suspend mode, Data# Polling produces a 1 on DQ7. The system must provide an address within any of the sectors selected for erasure to read valid status information on DQ7.

After an erase command sequence is written, if all sectors selected for erasing are protected, Data# Polling on DQ7 is active for approximately 3 ms, then the bank returns to the read mode. If not all selected sectors are protected, the Embedded Erase algorithm erases the unprotected sectors, and ignores the selected sectors that are protected. However, if the system reads DQ7 at an address within a protected sector, the status may not be valid.

When the system detects DQ7 has changed from the complement to true data, it can read valid data at DQ15–DQ0 (or DQ7–DQ0 for x8-only device) on the *following* read cycles. Just prior to the completion of an Embedded Program or Erase operation, DQ7 may change asynchronously with DQ15–DQ8 (DQ7–DQ0 for x8-only device) while Output Enable (OE#) is asserted low. That is, the device may change from providing status information to valid data on DQ7. Depending on when the system samples the DQ7 output, it may read the status or valid data. Even if the device has completed the program or erase operation and DQ7 has valid data, the data outputs on DQ15–DQ0 may be still invalid. Valid data on DQ15–DQ0 (or DQ7–DQ0 for x8-only device) will appear on successive read cycles.

[Table 11.1 on page 42](#) shows the outputs for Data# Polling on DQ7. [Figure 11.1 on page 38](#) shows the Data# Polling algorithm. [Figure 17.9 on page 52](#) shows the Data# Polling timing diagram.

Figure 11.1 Data# Polling Algorithm



**Notes:**

1. VA = Valid address for programming. During a sector erase operation, a valid address is any sector address within the sector being erased. During chip erase, a valid address is any non-protected sector address.
2. DQ7 should be rechecked even if DQ5 = 1 because DQ7 may change simultaneously with DQ5.

## 11.2 RY/BY#: Ready/Busy#

The RY/BY# is a dedicated, open-drain output pin which indicates whether an Embedded Algorithm is in progress or complete. The RY/BY# status is valid after the rising edge of the final WE# pulse in the command sequence. Since RY/BY# is an open-drain output, several RY/BY# pins can be tied together in parallel with a pull-up resistor to V<sub>CC</sub>.

If the output is low (Busy), the device is actively erasing or programming. (This includes programming in the Erase Suspend mode.) If the output is high (Ready), the device is in the read mode, the standby mode, or one of the banks is in the erase-suspend-read mode.

Table 11.1 on page 42 shows the outputs for RY/BY#.

When DQ5 is set to “1”, RY/BY# will be in the BUSY state, or “0”.

### 11.3 DQ6: Toggle Bit I

Toggle Bit I on DQ6 indicates whether an Embedded Program or Erase algorithm is in progress or complete, or whether the device has entered the Erase Suspend mode. Toggle Bit I may be read at any address, and is valid after the rising edge of the final WE# pulse in the command sequence (prior to the program or erase operation), and during the sector erase time-out.

During an Embedded Program or Erase algorithm operation, successive read cycles to any address cause DQ6 to toggle. The system may use either OE# or CE# to control the read cycles. When the operation is complete, DQ6 stops toggling.

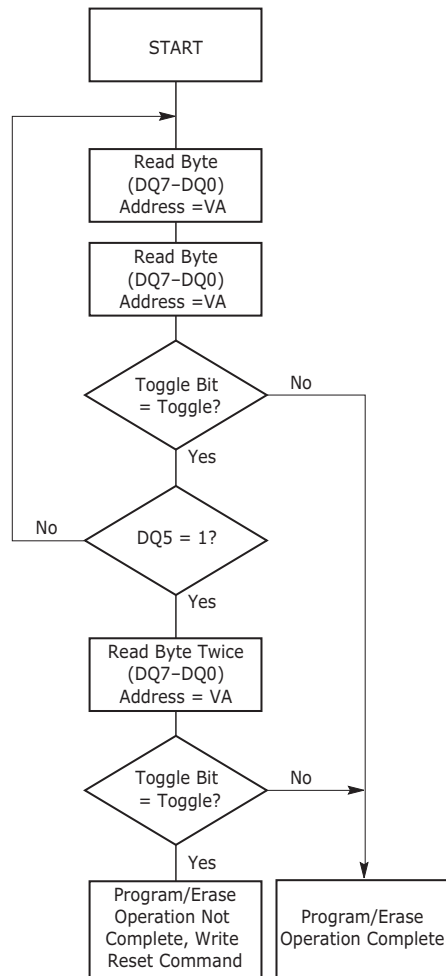
After an erase command sequence is written, if all sectors selected for erasing are protected, DQ6 toggles for approximately 3 ms, then returns to reading array data. If not all selected sectors are protected, the Embedded Erase algorithm erases the unprotected sectors, and ignores the selected sectors that are protected.

The system can use DQ6 and DQ2 together to determine whether a sector is actively erasing or is erase-suspended. When the device is actively erasing (that is, the Embedded Erase algorithm is in progress), DQ6 toggles. When the device enters the Erase Suspend mode, DQ6 stops toggling. However, the system must also use DQ2 to determine which sectors are erasing or erase-suspended. Alternatively, the system can use DQ7 (see [DQ7: Data# Polling on page 37](#)).

If a program address falls within a protected sector, DQ6 toggles for approximately 1  $\mu$ s after the program command sequence is written, then returns to reading array data.

DQ6 also toggles during the erase-suspend-program mode, and stops toggling once the Embedded Program algorithm is complete.

Figure 11.2 Toggle Bit Algorithm



**Note:**

The system should recheck the toggle bit even if DQ5 = 1 because the toggle bit may stop toggling as DQ5 changes to 1. See the subsections on DQ6 and DQ2 for more information.

## 11.4 DQ2: Toggle Bit II

The *Toggle Bit II* on DQ2, when used with DQ6, indicates whether a particular sector is actively erasing (that is, the Embedded Erase algorithm is in progress), or whether that sector is erase-suspended. Toggle Bit II is valid after the rising edge of the final WE# pulse in the command sequence.

DQ2 toggles when the system reads at addresses within those sectors that have been selected for erasure. (The system may use either OE# or CE# to control the read cycles.) But DQ2 cannot distinguish whether the sector is actively erasing or is erase-suspended. DQ6, by comparison, indicates whether the device is actively erasing, or is in Erase Suspend, but cannot distinguish which sectors are selected for erasure. Thus, both status bits are required for sector and mode information. Refer to [Table 11.1 on page 42](#) to compare outputs for DQ2 and DQ6.

[Figure 11.2 on page 40](#) shows the toggle bit algorithm in flowchart form, and [DQ2: Toggle Bit II on page 40](#) explains the algorithm. See also [DQ6: Toggle Bit I on page 39](#). [Figure 17.10 on page 52](#) shows the toggle bit timing diagram. [Figure 17.11 on page 53](#) shows the differences between DQ2 and DQ6 in graphical form.



## 11.5 Reading Toggle Bits DQ6/DQ2

Refer to [Figure 11.2 on page 40](#) for the following discussion. Whenever the system initially begins reading toggle bit status, it must read DQ15–DQ0 (or DQ7–DQ0 for x8-only device) at least twice in a row to determine whether a toggle bit is toggling. Typically, the system would note and store the value of the toggle bit after the first read. After the second read, the system would compare the new value of the toggle bit with the first. If the toggle bit is not toggling, the device has completed the program or erase operation. The system can read array data on DQ15–DQ0 (or DQ7–DQ0 for x8-only device) on the following read cycle.

However, if after the initial two read cycles, the system determines that the toggle bit is still toggling, the system also should note whether the value of DQ5 is high (see the section on DQ5). If it is, the system should then determine again whether the toggle bit is toggling, since the toggle bit may have stopped toggling just as DQ5 went high. If the toggle bit is no longer toggling, the device has successfully completed the program or erase operation. If it is still toggling, the device did not complete the operation successfully, and the system must write the reset command to return to reading array data.

The remaining scenario is that the system initially determines that the toggle bit is toggling and DQ5 has not gone high. The system may continue to monitor the toggle bit and DQ5 through successive read cycles, determining the status as described in the previous paragraph. Alternatively, it may choose to perform other system tasks. In this case, the system must start at the beginning of the algorithm when it returns to determine the status of the operation (top of [Figure 11.2 on page 40](#)).

## 11.6 DQ5: Exceeded Timing Limits

DQ5 indicates whether the program or erase time has exceeded a specified internal pulse count limit. Under these conditions DQ5 produces a *1*, indicating that the program or erase cycle was not successfully completed.

The device may output a *1* on DQ5 if the system tries to program a *1* to a location that was previously programmed to *0*. **Only an erase operation can change a *0* back to a *1*.** Under this condition, the device halts the operation, and when the timing limit has been exceeded, DQ5 produces a *1*.

Under both these conditions, the system must write the reset command to return to the read mode (or to the erase-suspend-read mode if a bank was previously in the erase-suspend-program mode).

## 11.7 DQ3: Sector Erase Timer

After writing a sector erase command sequence, the system may read DQ3 to determine whether or not erasure has begun. (The sector erase timer does not apply to the chip erase command.) If additional sectors are selected for erasure, the entire time-out also applies after each additional sector erase command. When the time-out period is complete, DQ3 switches from a *0* to a *1*. If the time between additional sector erase commands from the system can be assumed to be less than 50  $\mu$ s, the system need not monitor DQ3. See also [Sector Erase Command Sequence on page 34](#).

After the sector erase command is written, the system should read the status of DQ7 (Data# Polling) or DQ6 (Toggle Bit I) to ensure that the device has accepted the command sequence, and then read DQ3. If DQ3 is *1*, the Embedded Erase algorithm has begun; all further commands (except Erase Suspend) are ignored until the erase operation is complete. If DQ3 is *0*, the device will accept additional sector erase commands. To ensure the command has been accepted, the system software should check the status of DQ3 prior to and following each subsequent sector erase command. If DQ3 is high on the second status check, the last command might not have been accepted. The RDY/BSY# pin will be in the BUSY state under this condition.

[Table 11.1 on page 42](#) shows the status of DQ3 relative to the other status bits.

**Table 11.1** Write Operation Status

Status		DQ7 (Note 2)	DQ6	DQ5 (Note 1)	DQ3	DQ2 (Note 2)	RY/BY#	
Standard Mode	Embedded Program Algorithm	DQ7#	Toggle	0	N/A	No toggle	0	
	Embedded Erase Algorithm	in busy erasing sector	0	Toggle	0	1	Toggle	0
		in not busy erasing sector	0	Toggle	0	1	No toggle	0
Erase Suspend Mode	Erase-Suspend-Read	Erase Suspended Sector	1	No toggle	0	N/A	Toggle	1
		Non-Erase Suspended Sector	Data	Data	Data	Data	Data	1
	Erase-Suspend-Program	DQ7#	Toggle	0	N/A	N/A	0	

**Notes:**

1. DQ5 switches to 1 when an Embedded Program or Embedded Erase operation has exceeded the maximum timing limits. Refer to the section on DQ5 for more information.
2. DQ7 and DQ2 require a valid address when reading status information. Refer to the appropriate subsection for further details.
3. When reading write operation status bits, the system must always provide the bank address where the Embedded Algorithm is in progress. The device outputs array data if the system addresses a non-busy bank.

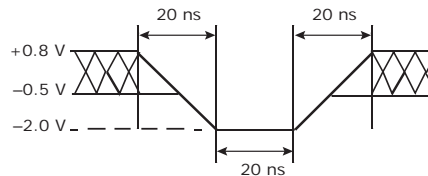
## 12. Absolute Maximum Ratings

Storage Temperature, Plastic Packages	-65°C to +150°C
Ambient Temperature with Power Applied	-65°C to +125°C
Voltage with Respect to Ground	
V <sub>CC</sub> (Note 1)	-0.5V to +4.0V
A9 and RESET# (Note 2)	-0.5V to +12.5V
WP#/ACC	-0.5V to +9.5V
All other pins (Note 1)	-0.5V to V <sub>CC</sub> +0.5V
Output Short Circuit Current (Note 3)	200 mA

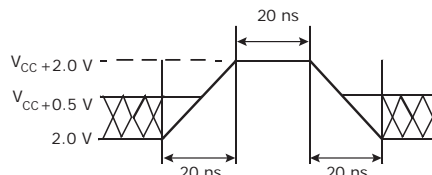
**Notes:**

1. Minimum DC voltage on input or I/O pins is -0.5V. During voltage transitions, input or I/O pins may overshoot V<sub>SS</sub> to -2.0V for periods of up to 20 ns. Maximum DC voltage on input or I/O pins is V<sub>CC</sub> +0.5V. See Figure 12.1 on page 42. During voltage transitions, input or I/O pins may overshoot to V<sub>CC</sub> +2.0V for periods up to 20 ns. See Figure 12.2 on page 42.
2. Minimum DC input voltage on pins A9, OE#, RESET#, and WP#/ACC is -0.5V. During voltage transitions, A9, OE#, WP#/ACC, and RESET# may overshoot V<sub>SS</sub> to -2.0V for periods of up to 20 ns. See Figure 12.1 on page 42. Maximum DC input voltage on pin A9 is +12.5V which may overshoot to +14.0V for periods up to 20 ns. Maximum DC input voltage on WP#/ACC is +9.5V which may overshoot to +12.0V for periods up to 20 ns.
3. No more than one output may be shorted to ground at a time. Duration of the short circuit should not be greater than one second.
4. Stresses above those listed under "Absolute Maximum Ratings" may cause permanent damage to the device. This is a stress rating only; functional operation of the device at these or any other conditions above those indicated in the operational sections of this data sheet is not implied. Exposure of the device to absolute maximum rating conditions for extended periods may affect device reliability.

**Figure 12.1** Maximum Negative Overshoot Waveform



**Figure 12.2** Maximum Positive Overshoot Waveform



## 13. Operating Ranges

### Industrial (I) Devices

Ambient Temperature ( $T_A$ )  $-40^{\circ}\text{C}$  to  $+85^{\circ}\text{C}$

### $V_{CC}$ Supply Voltages

$V_{CC}$  for standard voltage range 2.7V to 3.6V

Operating ranges define those limits between which the functionality of the device is guaranteed.

## 14. DC Characteristics

### 14.1 CMOS Compatible

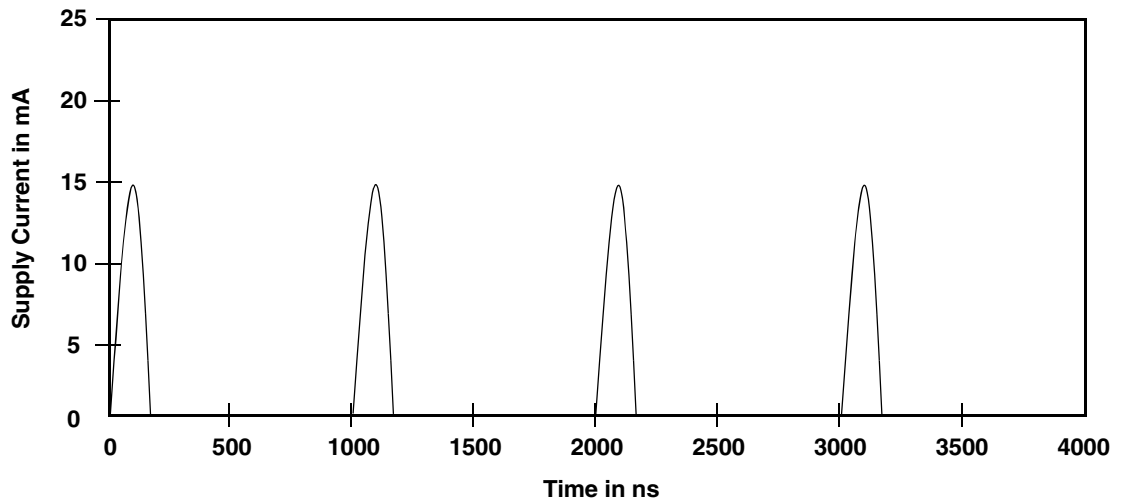
Parameter Symbol	Parameter Description	Test Conditions	Min	Typ	Max	Unit
$I_{LI}$	Input Load Current	$V_{IN} = V_{SS}$ to $V_{CC}$ , $V_{CC} = V_{CC\ max}$			$\pm 1.0$	$\mu\text{A}$
$I_{LIT}$	A9 and RESET# Input Load Current	$V_{CC} = V_{CC\ max}$ , OE# = $V_{IH}$ ; A9 or RESET# = 12.5V			35	$\mu\text{A}$
$I_{LO}$	Output Leakage Current	$V_{OUT} = V_{SS}$ to $V_{CC}$ , $V_{CC} = V_{CC\ max}$ , OE# = $V_{IH}$			$\pm 1.0$	$\mu\text{A}$
$I_{LR}$	Reset Leakage Current	$V_{CC} = V_{CC\ max}$ ; RESET# = 12.5V			35	$\mu\text{A}$
$I_{CC1}$	$V_{CC}$ Active Read Current (Notes 1, 2)	CE# = $V_{IL}$ , OE# = $V_{IH}$ , Byte Mode	5 MHz	10	16	mA
			1 MHz	2	4	
		CE# = $V_{IL}$ , OE# = $V_{IH}$ , Word Mode	5 MHz	10	16	
			1 MHz	2	4	
$I_{CC2}$	$V_{CC}$ Active Write Current (Notes 2, 3)	CE# = $V_{IL}$ , OE# = $V_{IH}$ , WE# = $V_{IL}$		15	30	mA
$I_{CC3}$	$V_{CC}$ Standby Current (Note 2)	CE#, RESET# = $V_{CC} \pm 0.3\text{V}$		0.2	5	$\mu\text{A}$
$I_{CC4}$	$V_{CC}$ Reset Current (Note 2)	RESET# = $V_{SS} \pm 0.3\text{V}$		0.2	5	$\mu\text{A}$
$I_{CC5}$	Automatic Sleep Mode (Notes 2, 4)	$V_{IH} = V_{CC} \pm 0.3\text{V}$ ; $V_{IL} = V_{SS} \pm 0.3\text{V}$		0.2	5	$\mu\text{A}$
$I_{CC6}$	$V_{CC}$ Active Read-While-Program Current (2)	CE# = $V_{IL}$ , OE# = $V_{IH}$ , 1 MHz	Byte	21	45	mA
			Word	21	45	
$I_{CC7}$	$V_{CC}$ Active Read-While-Erase Current (2)	CE# = $V_{IL}$ , OE# = $V_{IH}$ , 1 MHz	Byte	21	45	mA
			Word	21	45	
$I_{CC8}$	$V_{CC}$ Active Program-While-Erase-Suspended Current (Notes 2, 5)	CE# = $V_{IL}$ , OE# = $V_{IH}$		17	35	mA
$V_{IL}$	Input Low Voltage		-0.5		0.8	V
$V_{IH}$	Input High Voltage		$0.7 \times V_{CC}$		$V_{CC} + 0.3$	V
$V_{HH}$	Voltage for WP#/ACC Sector Protect/Unprotect and Program Acceleration	$V_{CC} = 3.0\text{V} \pm 10\%$	8.5		9.5	V
$V_{ID}$	Voltage for Autoselect and Temporary Sector Unprotect	$V_{CC} = 3.0\text{V} \pm 10\%$	8.5		12.5	V
$V_{OL}$	Output Low Voltage	$I_{OL} = 2.0\text{ mA}$ , $V_{CC} = V_{CC\ min}$			0.45	V
$V_{OH1}$	Output High Voltage	$I_{OH} = -2.0\text{ mA}$ , $V_{CC} = V_{CC\ min}$	$0.85 V_{CC}$			V
		$I_{OH} = -100\ \mu\text{A}$ , $V_{CC} = V_{CC\ min}$	$V_{CC} - 0.4$			
$V_{LKO}$	Low $V_{CC}$ Lock-Out Voltage (Note 5)		1.8	2.0	2.5	V

#### Notes:

1. The  $I_{CC}$  current listed is typically less than 2 mA/MHz, with OE# at  $V_{IH}$ .
2. Maximum  $I_{CC}$  specifications are tested with  $V_{CC} = V_{CC\ max}$ .
3.  $I_{CC}$  active while Embedded Erase or Embedded Program is in progress.
4. Automatic sleep mode enables the low power mode when addresses remain stable for  $t_{ACC} + 30\text{ ns}$ . Typical sleep mode current is 200 nA.
5. Not 100% tested.

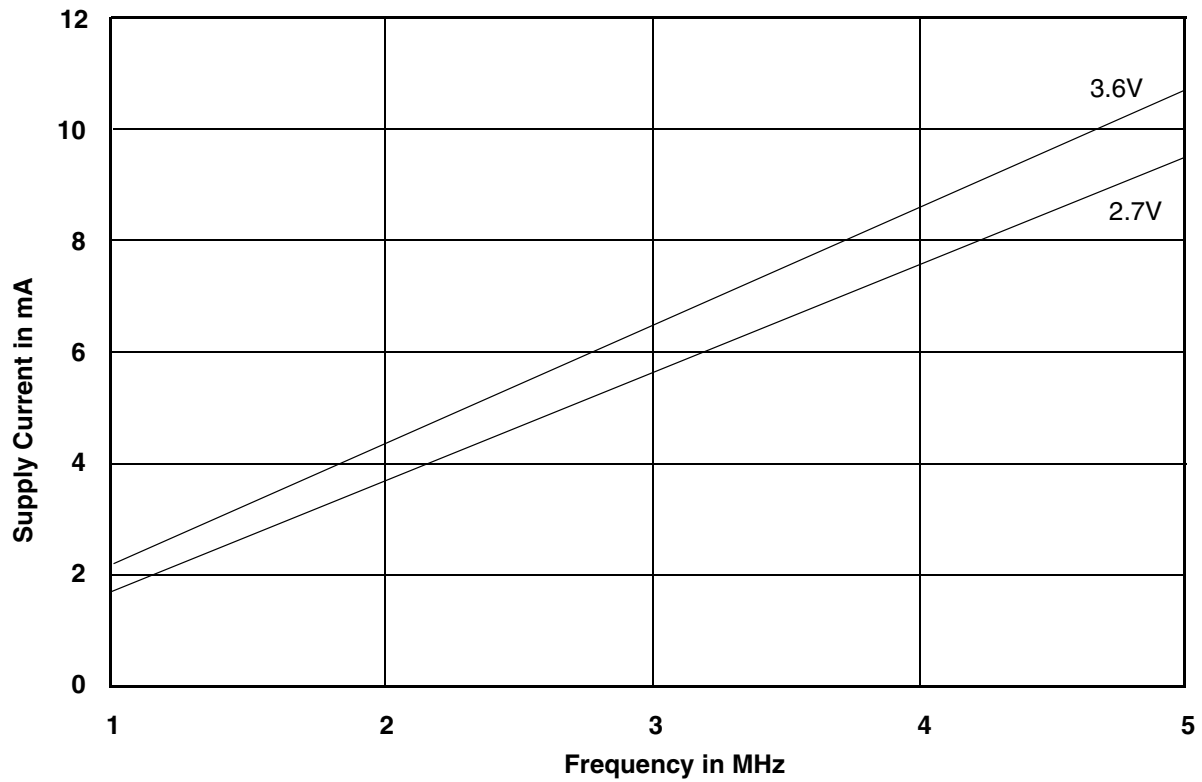
## 14.2 Zero-Power Flash

Figure 14.1  $I_{CC1}$  Current vs. Time (Showing Active and Automatic Sleep Currents)



Note:  
Addresses are switching at 1 MHz

Figure 14.2 Typical  $I_{CC1}$  vs. Frequency



Note:  
 $T = 25^{\circ}\text{C}$

## 15. Test Conditions

Figure 15.1 Test Setup

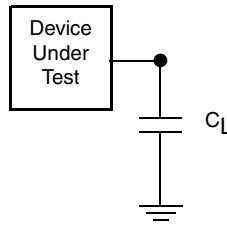


Table 15.1 Test Specifications

Test Condition	55, 60	70	Unit
Output Load Capacitance, $C_L$	30	100	pF
Input Rise and Fall Times (Note 1)	5		ns
Input Pulse Levels	0.0 or $V_{CC}$		V
Input timing measurement reference levels	0.5 $V_{CC}$		V
Output timing measurement reference levels	0.5 $V_{CC}$		V

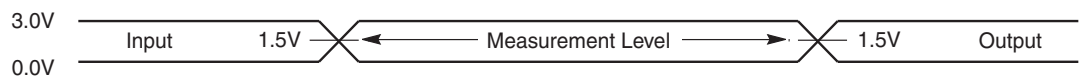
**Note:**

1. Input rise and fall times are 0-100%.

## 16. Key To Switching Waveforms

Waveform	Inputs	Outputs
	Steady	
	Changing from H to L	
	Changing from L to H	
	Don't Care, Any Change Permitted	Changing, State Unknown
	Does Not Apply	Center Line is High Impedance State (High-Z)

Figure 16.1 Input Waveforms and Measurement Levels



## 17. AC Characteristics

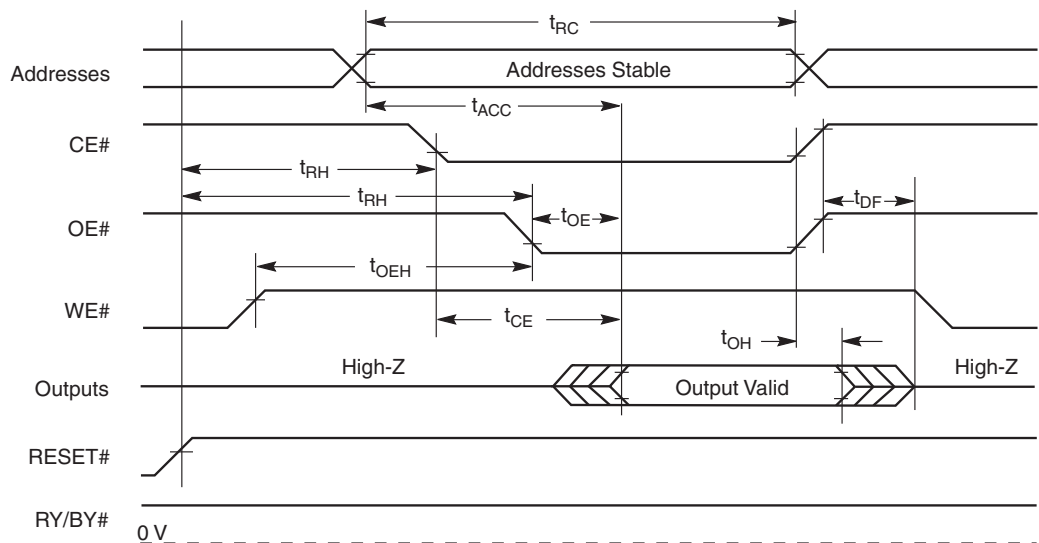
### 17.1 Read-Only Operations

Parameter		Description	Test Setup	Speed Options			Unit	
JEDEC	Std.			55	60	70		
$t_{AVAV}$	$t_{RC}$	Read Cycle Time (Note 1)	Min	55	60	70	ns	
$t_{AVQV}$	$t_{ACC}$	Address to Output Delay	CE#, OE# = $V_{IL}$	Max	55	60	70	ns
$t_{ELQV}$	$t_{CE}$	Chip Enable to Output Delay	OE# = $V_{IL}$	Max	55	60	70	ns
$t_{GLQV}$	$t_{OE}$	Output Enable to Output Delay		Max	25		30	ns
$t_{EHQZ}$	$t_{DF}$	Chip Enable to Output High-Z (Notes 1, 3)		Max	16		ns	
$t_{GHQZ}$	$t_{DF}$	Output Enable to Output High-Z (Notes 1, 3)		Max	16		ns	
$t_{AXQX}$	$t_{OH}$	Output Hold Time From Addresses, CE# or OE#, Whichever Occurs First		Min	0		ns	
	$t_{OEh}$	Output Enable Hold Time (Note 1)	Read	Min	0		ns	
		Toggle and Data# Polling		Min	5	10	ns	

**Notes:**

1. Not 100% tested.
2. See Figure 15.1 on page 45 and Table 15.1 on page 45 for test specifications
3. Measurements performed by placing a 50 ohm termination on the data pin with a bias of  $V_{CC}/2$ . The time from OE# high to the data bus driven to  $V_{CC}/2$  is taken as  $t_{DF}$

Figure 17.1 Read Operation Timings

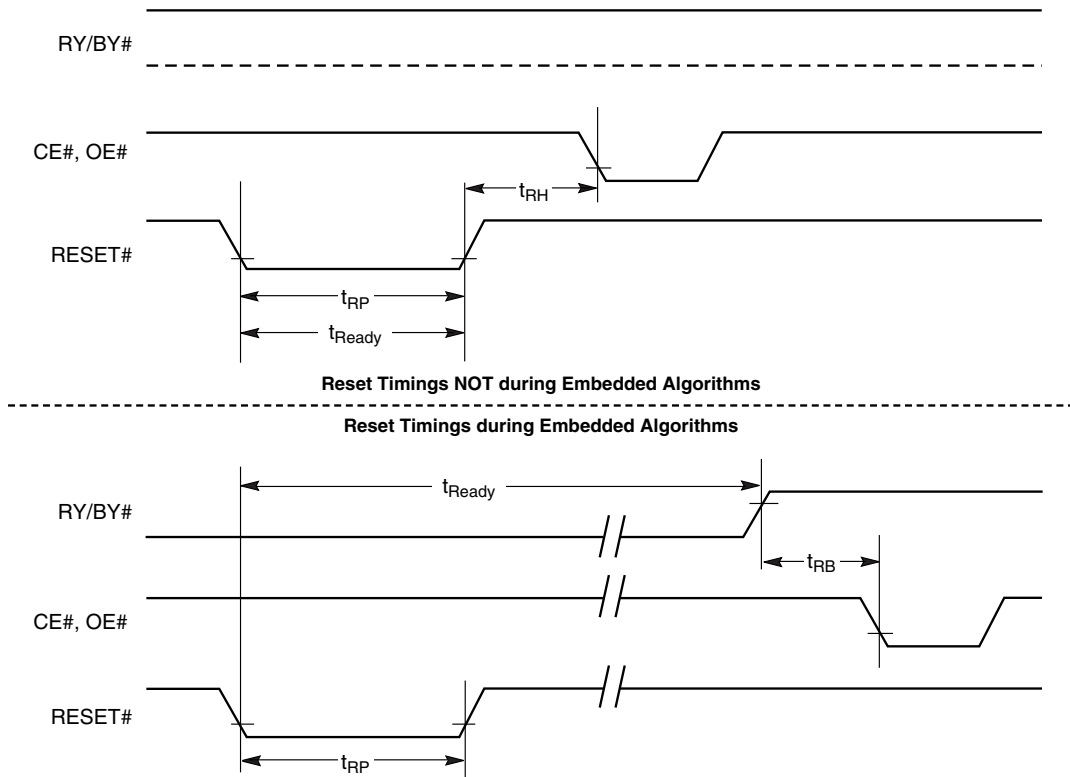


## 17.2 Hardware Reset (RESET#)

Parameter		Description		All Speed Options	Unit
JEDEC	Std				
	$t_{Ready}$	RESET# Pin Low (During Embedded Algorithms) to Read Mode (See Note)	Max	35	$\mu s$
	$t_{Ready}$	RESET# Pin Low (NOT During Embedded Algorithms) to Read Mode (See Note)	Max	500	ns
	$t_{RP}$	RESET# Pulse Width	Min	500	ns
	$t_{RH}$	Reset High Time Before Read (See Note)	Min	50	ns
	$t_{RPD}$	RESET# Low to Standby Mode	Min	35	$\mu s$
	$t_{RB}$	RY/BY# Recovery Time	Min	0	ns

**Note:**  
Not 100% tested.

Figure 17.2 Reset Timings



### 17.3 Word/Byte Configuration (BYTE#)

Parameter		Description		Speed Options			Unit
JEDEC	Std.			55	60	70	
	$t_{ELFL}/t_{ELFH}$	CE# to BYTE# Switching Low or High	Max	5			ns
	$t_{FLOZ}$	BYTE# Switching Low to Output High-Z	Max	16			ns
	$t_{FHQV}$	BYTE# Switching High to Output Active	Min	55	60	70	ns

Figure 17.3 BYTE# Timings for Read Operations

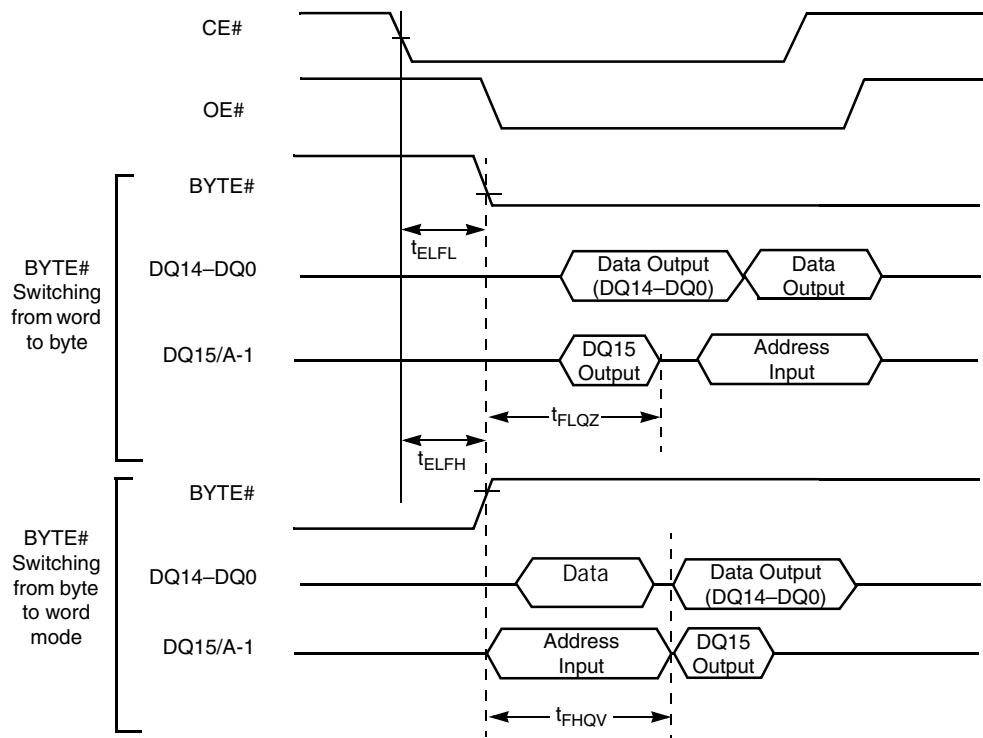
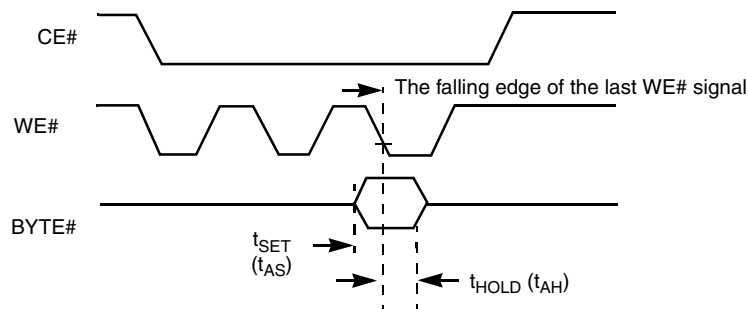


Figure 17.4 BYTE# Timings for Write Operations



**Note:**  
Refer to the Erase/Program Operations table for  $t_{AS}$  and  $t_{AH}$  specifications.



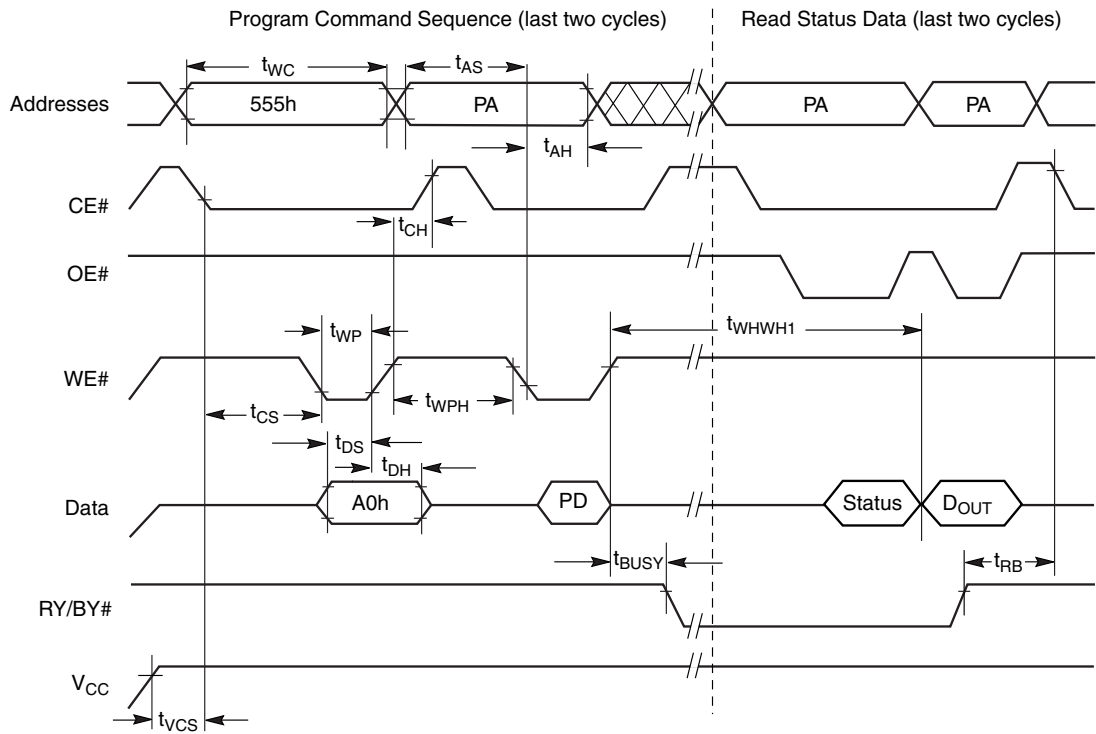
## 17.4 Erase and Program Operations

Parameter		Description		Speed Options			Unit
JEDEC	Std			55	60	70	
$t_{AVAV}$	$t_{WC}$	Write Cycle Time (Note 1)	Min	55	60	70	ns
$t_{AVWL}$	$t_{AS}$	Address Setup Time	Min	0			ns
	$t_{ASO}$	Address Setup Time to OE# low during toggle bit polling	Min	15			ns
$t_{WLAX}$	$t_{AH}$	Address Hold Time	Min	30	35	40	ns
	$t_{AHT}$	Address Hold Time From CE# or OE# high during toggle bit polling	Min	0			ns
$t_{DVWH}$	$t_{DS}$	Data Setup Time	Min	30	35	40	ns
$t_{WHDX}$	$t_{DH}$	Data Hold Time	Min	0			ns
	$t_{OEPH}$	Output Enable High during toggle bit polling	Min	20			ns
$t_{GHWL}$	$t_{GHWL}$	Read Recovery Time Before Write (OE# High to WE# Low)	Min	0			ns
$t_{ELWL}$	$t_{CS}$	CE# Setup Time	Min	0			ns
$t_{WHEH}$	$t_{CH}$	CE# Hold Time	Min	0			ns
$t_{WLWH}$	$t_{WP}$	Write Pulse Width	Min	25	25	30	ns
$t_{WHDL}$	$t_{WPH}$	Write Pulse Width High	Min	25	25	30	ns
	$t_{SRW}$	Latency Between Read and Write Operations	Min	0			ns
$t_{WHWH1}$	$t_{WHWH1}$	Programming Operation (Note 2)	Byte	Typ			$\mu$ s
			Word	Typ			
$t_{WHWH1}$	$t_{WHWH1}$	Accelerated Programming Operation, Word or Byte (Note 2)	Typ	4			$\mu$ s
$t_{WHWH2}$	$t_{WHWH2}$	Sector Erase Operation (Note 2)	Typ	0.5			sec
	$t_{VCS}$	$V_{CC}$ Setup Time (Note 1)	Min	50			$\mu$ s
	$t_{RB}$	Write Recovery Time from RY/BY#	Min	0			ns
	$t_{BUSY}$	Program/Erase Valid to RY/BY# Delay	Max	90			ns
	$t_{ESL}$	Erase Suspend Latency	Max	35			$\mu$ s

**Notes:**

1. Not 100% tested.
2. See [Erase and Programming Performance on page 56](#) for more information.

Figure 17.5 Program Operation Timings



**Notes:**

1. PA = program address, PD = program data,  $D_{OUT}$  is the true data at the program address.
2. Illustration shows device in word mode.

Figure 17.6 Accelerated Program Timing Diagram

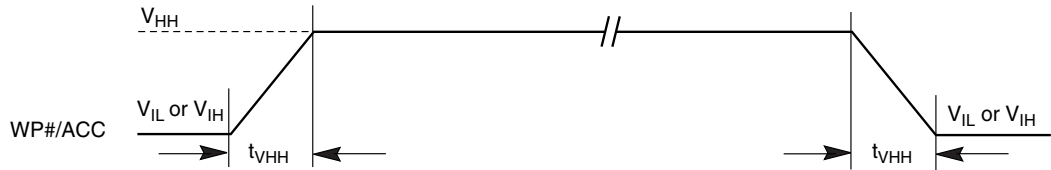
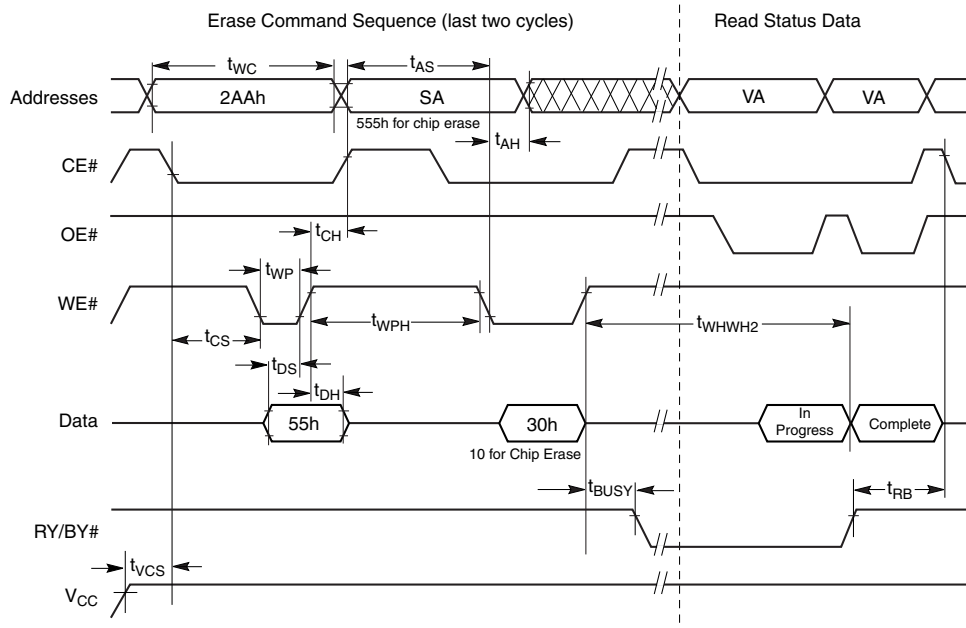


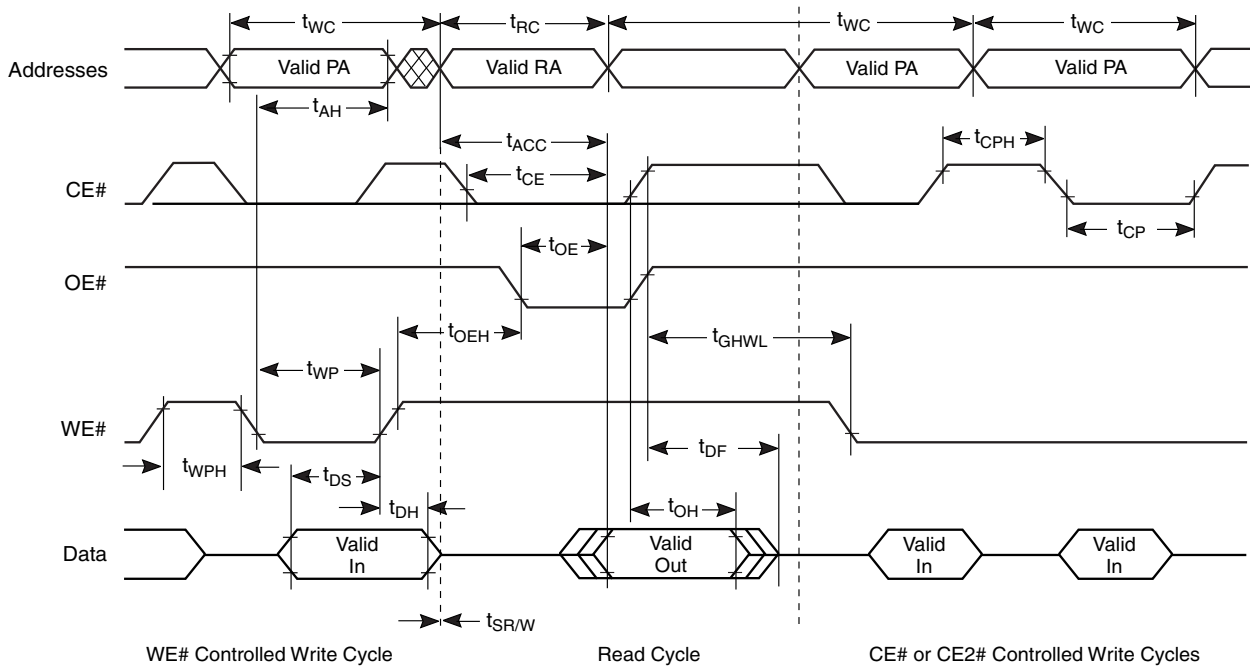
Figure 17.7 Chip/Sector Erase Operation Timings



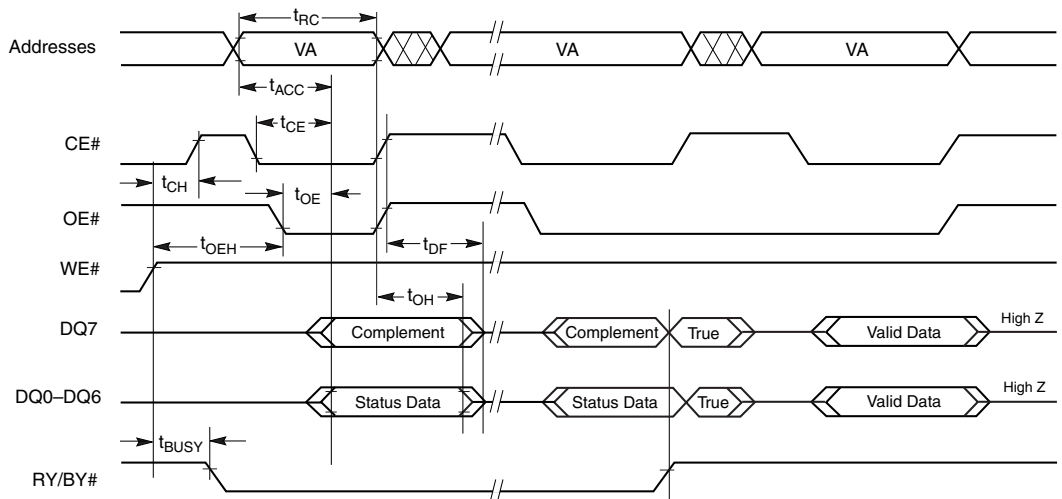
Notes:

1. SA = sector address (for Sector Erase), VA = Valid Address for reading status data (see [Write Operation Status on page 37](#)).
2. These waveforms are for the word mode.

Figure 17.8 Back-to-back Read/Write Cycle Timings



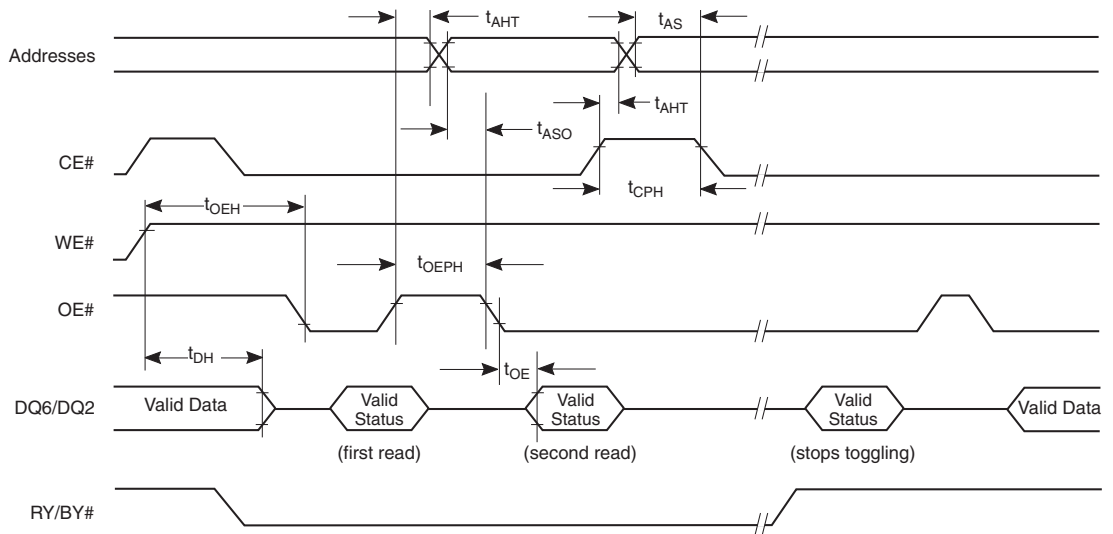
**Figure 17.9 Data# Polling Timings (During Embedded Algorithms)**



**Note:**

VA = Valid address. Illustration shows first status cycle after command sequence, last status read cycle, and array data read cycle

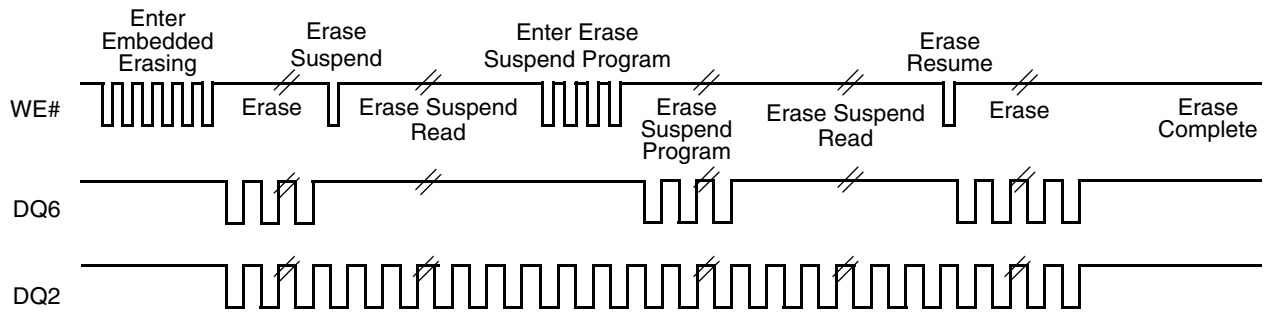
**Figure 17.10 Toggle Bit Timings (During Embedded Algorithms)**



**Note:**

VA = Valid address; not required for DQ6. Illustration shows first two status cycle after command sequence, last status read cycle, and array data read cycle.

Figure 17.11 DQ2 vs. DQ6



**Note:**  
DQ2 toggles only when read at an address within an erase-suspended sector. The system may use OE# or CE# to toggle DQ2 and DQ6.

### 17.5 Temporary Sector Unprotect

Parameter		Description	All Speed Options	Unit
JEDEC	Std			
	$t_{VIDR}$	$V_{ID}$ Rise and Fall Time (See Note)	Min 500	ns
	$t_{VHH}$	$V_{HH}$ Rise and Fall Time (See Note)	Min 250	ns
	$t_{RSP}$	RESET# Setup Time for Temporary Sector Unprotect	Min 4	$\mu s$
	$t_{RRB}$	RESET# Hold Time from RY/BY# High for Temporary Sector Unprotect	Min 4	$\mu s$

**Note:**  
Not 100% tested.

Figure 17.12 Temporary Sector Unprotect Timing Diagram

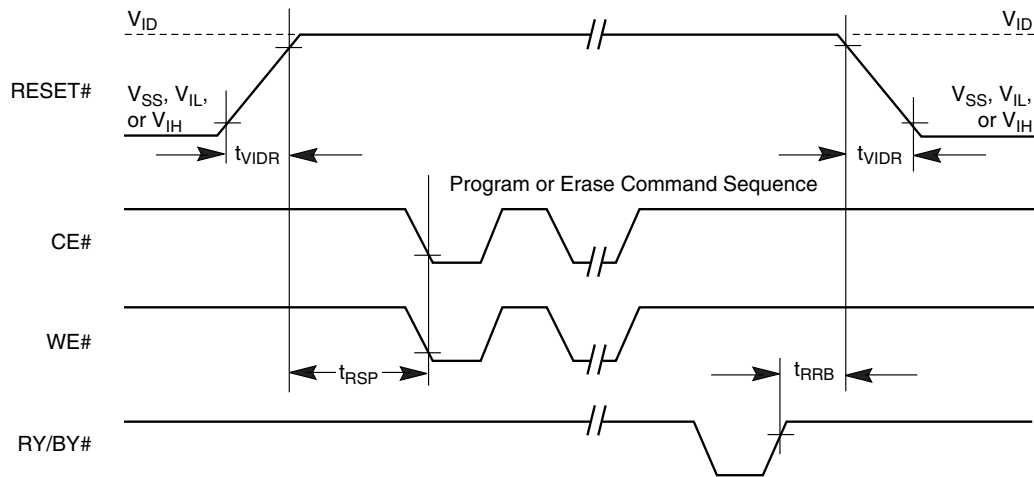
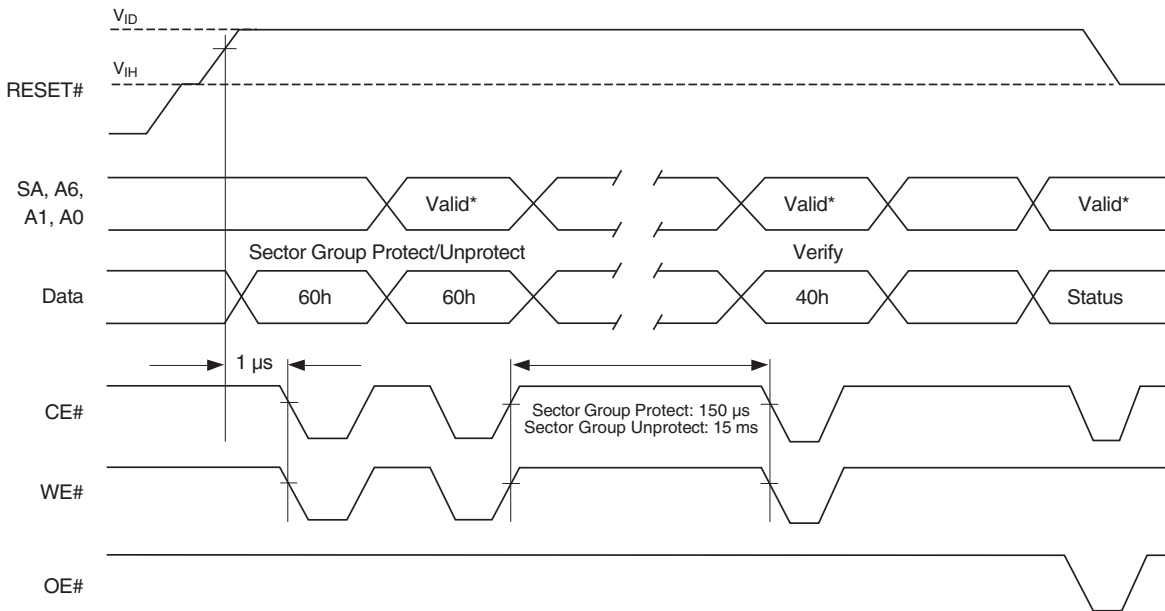


Figure 17.13 Sector/Sector Block Protect and Unprotect Timing Diagram



**Note:**

\* For sector protect, A6 = 0, A1 = 1, A0 = 0. For sector unprotect, A6 = 1, A1 = 1, A0 = 0.

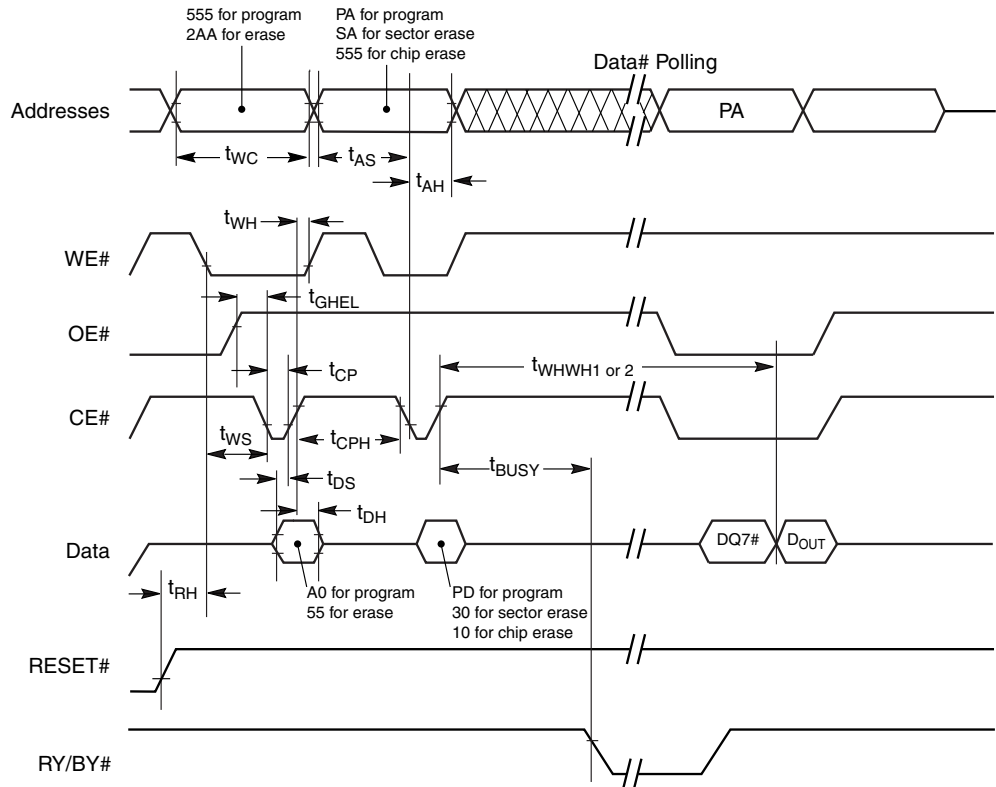
## 17.6 Alternate CE# Controlled Erase and Program Operations

Parameter		Description	Speed Options			Unit	
JEDEC	Std.		55	60	70		
t <sub>AVAV</sub>	t <sub>WC</sub>	Write Cycle Time (Note 1)	Min	55	60	70	ns
t <sub>AVWL</sub>	t <sub>AS</sub>	Address Setup Time	Min	0			ns
t <sub>ELAX</sub>	t <sub>AH</sub>	Address Hold Time	Min	30	35	40	ns
t <sub>DVEH</sub>	t <sub>DS</sub>	Data Setup Time	Min	30	35	40	ns
t <sub>EHDx</sub>	t <sub>DH</sub>	Data Hold Time	Min	0			ns
t <sub>GH<sub>EL</sub></sub>	t <sub>GH<sub>EL</sub></sub>	Read Recovery Time Before Write (OE# High to WE# Low)	Min	0			ns
t <sub>WLEL</sub>	t <sub>WS</sub>	WE# Setup Time	Min	0			ns
t <sub>EHWH</sub>	t <sub>WH</sub>	WE# Hold Time	Min	0			ns
t <sub>ELEH</sub>	t <sub>CP</sub>	CE# Pulse Width	Min	25	25	40	ns
t <sub>EHEL</sub>	t <sub>CPH</sub>	CE# Pulse Width High	Min	25	25	30	ns
t <sub>WHWH1</sub>	t <sub>WHWH1</sub>	Programming Operation (Note 2)	Byte	Typ			μs
			Word	Typ			
t <sub>WHWH1</sub>	t <sub>WHWH1</sub>	Accelerated Programming Operation, Word or Byte (Note 2)	Typ	4			μs
t <sub>WHWH2</sub>	t <sub>WHWH2</sub>	Sector Erase Operation (Note 2)	Typ	0.5			sec

**Notes:**

1. Not 100% tested.
2. See [Erase and Programming Performance on page 56](#) for more information.

Figure 17.14 Alternate CE# Controlled Write (Erase/Program) Operation Timings



**Notes:**

1. Figure indicates last two bus cycles of a program or erase operation.
2. PA = program address, SA = sector address, PD = program data.
3. DQ7# is the complement of the data written to the device. D<sub>OUT</sub> is the data written to the device.
4. Waveforms are for the word mode.

## 18. Erase and Programming Performance

Parameter	Typ (Note 1)	Max (Note 2)	Unit	Comments
Sector Erase Time	0.5	5	sec	Excludes 00h programming prior to erasure (Note 3)
Chip Erase Time	71		sec	
Byte Program Time	6	80	µs	Excludes system level overhead (Note 4)
Word Program Time	6	80	µs	
Accelerated Byte/Word Program Time	4	70	µs	

**Notes:**

1. Typical program and erase times assume the following conditions: 25°C, 3.0V  $V_{CC}$ , 100,000 cycles; checkerboard data pattern.
2. Under worst case conditions of 90°C,  $V_{CC} = 2.7V$ , 1,000,000 cycles.
3. In the pre-programming step of the Embedded Erase algorithm, all bytes are programmed to 00h before erasure.
4. System-level overhead is the time required to execute the two- or four-bus-cycle sequence for the program command. See [Table 10.1 on page 36](#) for further information on command definitions.
5. The device has a minimum program and erase cycle endurance of 100,000 cycles per sector.

## 19. Pin Capacitance

Parameter Symbol	Parameter Description	Test Setup	Max	Unit
$C_{IN}$	Input Capacitance (applies to A21-A0, DQ15-DQ0)	$V_{IN} = 0$	8.5	pF
$C_{OUT}$	Output Capacitance (applies to DQ15-DQ0, RY/BY#)	$V_{OUT} = 0$	5.5	pF
$C_{IN2}$	Control Pin Capacitance (applies to CE#, WE#, OE#, WP#/ACC, RESET#, BYTE#)	$V_{IN} = 0$	12	pF

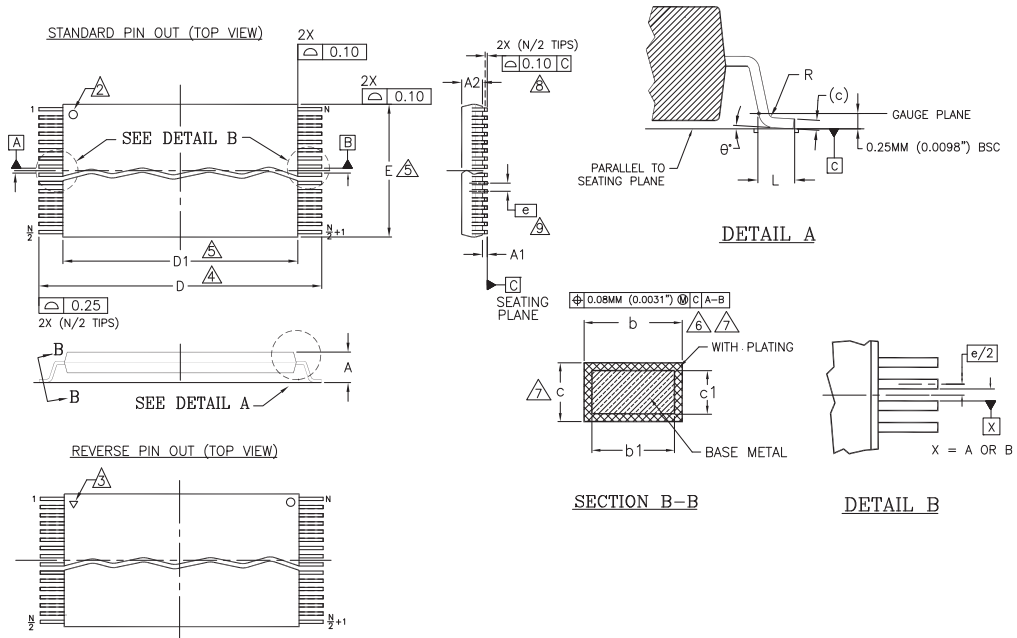
**Notes:**

1. Sampled, not 100% tested.
2. Test conditions  $T_A = 25^\circ C$ ,  $f = 1.0$  MHz.



## 20. Physical Dimensions

### 20.1 TS 048—48-Pin Standard TSOP



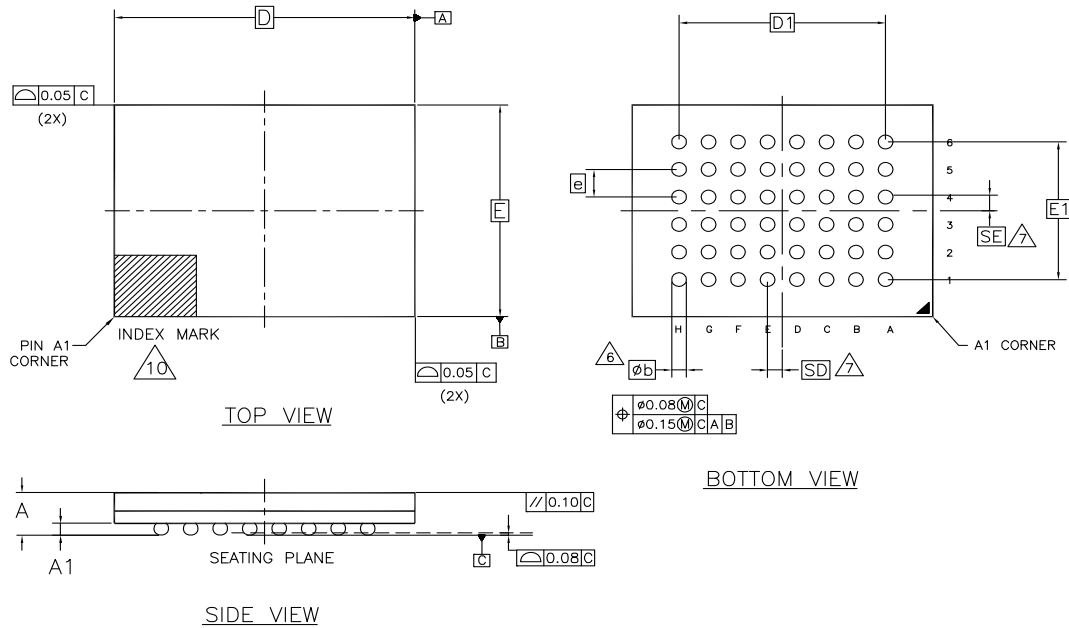
PACKAGE	TS/TSR 48		
	JEDEC MO-142 (D) DD		
SYMBOL	MIN	NOM	MAX
A	---	---	1.20
A1	0.05	---	0.15
A2	0.95	1.00	1.05
b1	0.17	0.20	0.23
b	0.17	0.22	0.27
c1	0.10	---	0.16
c	0.10	---	0.21
D	19.80	20.00	20.20
D1	18.30	18.40	18.50
E	11.90	12.00	12.10
e	0.50 BASIC		
L	0.50	0.60	0.70
θ	0°	---	8
R	0.08	---	0.20
N	48		

NOTES:

1. CONTROLLING DIMENSIONS ARE IN MILLIMETERS (mm). (DIMENSIONING AND TOLERANCING CONFORM TO ANSI Y14.5M-1982)
2. PIN 1 IDENTIFIER FOR STANDARD PIN OUT (DIE UP).
3. PIN 1 IDENTIFIER FOR REVERSE PIN OUT (DIE DOWN): INK OR LASER MARK.
4. TO BE DETERMINED AT THE SEATING PLANE [-C-]. THE SEATING PLANE IS DEFINED AS THE PLANE OF CONTACT THAT IS MADE WHEN THE PACKAGE LEADS ARE ALLOWED TO REST FREELY ON A FLAT HORIZONTAL SURFACE.
5. DIMENSIONS D1 AND E DO NOT INCLUDE MOLD PROTRUSION. ALLOWABLE MOLD PROTRUSION IS 0.15mm (.0059") PER SIDE.
6. DIMENSION b DOES NOT INCLUDE DAMBAR PROTRUSION. ALLOWABLE DAMBAR PROTRUSION SHALL BE 0.08mm (0.0031") TOTAL IN EXCESS OF b DIMENSION AT MAX. MATERIAL CONDITION. MINIMUM SPACE BETWEEN PROTRUSION AND AN ADJACENT LEAD TO BE 0.07mm (0.0028").
7. THESE DIMENSIONS APPLY TO THE FLAT SECTION OF THE LEAD BETWEEN 0.10mm (.0039") AND 0.25mm (0.0098") FROM THE LEAD TIP.
8. LEAD COPLANARITY SHALL BE WITHIN 0.10mm (0.004") AS MEASURED FROM THE SEATING PLANE.
9. DIMENSION "e" IS MEASURED AT THE CENTERLINE OF THE LEADS.

3664 \ 116-038.10 \ 11.6.7

## 20.2 VBK048—48-Pin FBGA



PACKAGE	VBK 048			NOTE
JEDEC	N/A			
	8.15 mm x 6.15 mm NOM PACKAGE			
SYMBOL	MIN	NOM	MAX	
A	---	---	1.00	OVERALL THICKNESS
A1	0.18	---	---	BALL HEIGHT
D	8.15 BSC.			BODY SIZE
E	6.15 BSC.			BODY SIZE
D1	5.60 BSC.			BALL FOOTPRINT
E1	4.00 BSC.			BALL FOOTPRINT
MD	8			ROW MATRIX SIZE D DIRECTION
ME	6			ROW MATRIX SIZE E DIRECTION
N	48			TOTAL BALL COUNT
$\phi b$	0.33	---	0.43	BALL DIAMETER
e	0.80 BSC.			BALL PITCH
SD / SE	0.40 BSC.			SOLDER BALL PLACEMENT
	---			DEPOPULATED SOLDER BALLS

**NOTES:**

1. DIMENSIONING AND TOLERANCING PER ASME Y14.5M-1994.
2. ALL DIMENSIONS ARE IN MILLIMETERS.
3. BALL POSITION DESIGNATION PER JESD 95-1, SPP-010 (EXCEPT AS NOTED).

4.  $e$  REPRESENTS THE SOLDER BALL GRID PITCH.

5. SYMBOL "MD" IS THE BALL ROW MATRIX SIZE IN THE "D" DIRECTION.

SYMBOL "ME" IS THE BALL COLUMN MATRIX SIZE IN THE "E" DIRECTION.

N IS THE TOTAL NUMBER OF SOLDER BALLS.

$\phi b$  DIMENSION "b" IS MEASURED AT THE MAXIMUM BALL DIAMETER IN A PLANE PARALLEL TO DATUM C.

$\Delta$  SD AND SE ARE MEASURED WITH RESPECT TO DATUMS A AND B AND DEFINE THE POSITION OF THE CENTER SOLDER BALL IN THE OUTER ROW.

WHEN THERE IS AN ODD NUMBER OF SOLDER BALLS IN THE OUTER ROW PARALLEL TO THE D OR E DIMENSION, RESPECTIVELY, SD OR SE = 0.000.

WHEN THERE IS AN EVEN NUMBER OF SOLDER BALLS IN THE OUTER ROW, SD OR SE =  $e/2$

8. NOT USED.

9. "+" INDICATES THE THEORETICAL CENTER OF DEPOPULATED BALLS.

$\Delta 10$  A1 CORNER TO BE IDENTIFIED BY CHAMFER, LASER OR INK MARK, METALLIZED MARK INDENTATION OR OTHER MEANS.

g1001.2 \ f16-038.25 \ 07.13.10

## 21. Revision History

Section	Description
<b>Revision 01 (June 21, 2010)</b>	
	Initial revision.
<b>Revision 02 (September 1, 2010)</b>	
Global	Updated the data sheet designation from <i>Advanced Information</i> to <i>Preliminary</i> . Corrected spelling, capitalization, and grammatical errors.
Simultaneous Read/Write Operations with Zero Latency	Added clarification that JL064J is only offered as a dual boot device with both top and bottom boot sectors.
Ordering Information	Clarified that Note 1 applies to the Packing Type column.
Device Bus Operation	The note for the Addresses column should be Note 1, not Note 2.
RESET#: Hardware Reset Pin	Changed "Refer to AC Characteristics on page 46" to "Refer to Hardware Reset (RESET#) on page 47".
Secured Silicon Region	Clarified the Secured Silicon Indicator Bit data based on factory and customer lock status. Removed forward looking statements regarding factory locking features as they are supported in this device.
Common Flash Memory Interface (CFI)	Clarified that once in the CFI query mode, the system must write the reset command to return to reading array data.
Enter Secured Silicon Region/Exit Secured Silicon Region Command Sequence	Removed the incorrect generalizing statement that the Secured Silicon Region always contains an ESN.
Erase Suspend/Erase Resume Commands	Added clarification that "It is not recommended to program the Secured Silicon Region after an erase suspend, as proper device functionality cannot be guaranteed." In Table 10.1, corrected the Secured Silicon Region Factory Protect fourth cycle data from 81/01 to 81/41/01.
Erase and Programming Performance	Added Note 5 regarding minimum program and erase cycle endurance.
Pin Capacitance	Changed section title from "TSOP Pin Capacitance" to "Pin Capacitance". Updated values to reflect maximum capacitances for both TSOP and BGA. Removed typical capacitance values. Added specific pin clarifications to parameter descriptions.
Physical Dimensions	Updated the VBK048 package outline drawing.
<b>Revision 03 (April 7, 2011)</b>	
Global	Updated the data sheet designation from Preliminary to Full Production (no designation on document).
RESET#: Hardware Reset Pin	Added warning that keeping CE# at $V_{IL}$ from power up through the first reset could cause erroneous data on the first read.
Reset Command	Clarified that during an embedded program or erase, if DQ5 goes high then RY/BY# will remain low until a reset is issued
Absolute Maximum Ratings	Corrected the maximum value of WP#/ACC voltage with respect to ground from +10.5V to +9.5V
DC Characteristics	Corrected voltage for autoselect and temporary sector unprotect ( $V_{ID}$ ) minimum value from 11.5V to 8.5V
Test Conditions	Changed the format of the input pulse levels and input and output timing measurement reference levels to match the JL032J data sheet format
Hardware Reset (RESET#)	Added note to "Reset Timings" figure clarifying that CE# should only go low after RESET# has gone high.

Section	Description
<b>Revision 04 (August 24, 2011)</b>	
RESET#: Hardware Reset Pin	Removed warning that keeping CE# at $V_{IL}$ from power up through the first reset could cause erroneous data on the first read.
Sector Erase Command Sequence	Added clarification regarding additional sector erase commands during time-out period.
Command Definitions Table	Added Note 17 to clarify additional sector erase commands during time-out period.
Hardware Reset (RESET#)	Removed note to the "Reset Timings" figure clarifying that CE# should only go low after RESET# has gone high.
Erase and Programming Performance	Updated Byte Program Time and Word Program Time to 80 $\mu$ s.
Physical Dimensions	Package drawings updated to latest version.
<b>Revision 05 (December 16, 2011)</b>	
Global	Corrected all references in the text to the sector erase time-out period from 80 $\mu$ s to 50 $\mu$ s.

**Colophon**

The products described in this document are designed, developed and manufactured as contemplated for general use, including without limitation, ordinary industrial use, general office use, personal use, and household use, but are not designed, developed and manufactured as contemplated (1) for any use that includes fatal risks or dangers that, unless extremely high safety is secured, could have a serious effect to the public, and could lead directly to death, personal injury, severe physical damage or other loss (i.e., nuclear reaction control in nuclear facility, aircraft flight control, air traffic control, mass transport control, medical life support system, missile launch control in weapon system), or (2) for any use where chance of failure is intolerable (i.e., submersible repeater and artificial satellite). Please note that Spansion will not be liable to you and/or any third party for any claims or damages arising in connection with above-mentioned uses of the products. Any semiconductor devices have an inherent chance of failure. You must protect against injury, damage or loss from such failures by incorporating safety design measures into your facility and equipment such as redundancy, fire protection, and prevention of over-current levels and other abnormal operating conditions. If any products described in this document represent goods or technologies subject to certain restrictions on export under the Foreign Exchange and Foreign Trade Law of Japan, the US Export Administration Regulations or the applicable laws of any other country, the prior authorization by the respective government entity will be required for export of those products.

**Trademarks and Notice**

The contents of this document are subject to change without notice. This document may contain information on a Spansion product under development by Spansion. Spansion reserves the right to change or discontinue work on any product without notice. The information in this document is provided as is without warranty or guarantee of any kind as to its accuracy, completeness, operability, fitness for particular purpose, merchantability, non-infringement of third-party rights, or any other warranty, express, implied, or statutory. Spansion assumes no liability for any damages of any kind arising out of the use of the information in this document.

Copyright © 2010-2011 Spansion Inc. All rights reserved. Spansion®, the Spansion logo, MirrorBit®, MirrorBit® Eclipse™, ORNAND™, EcoRAM™ and combinations thereof, are trademarks and registered trademarks of Spansion LLC in the United States and other countries. Other names used are for informational purposes only and may be trademarks of their respective owners.