

Double Row Terminal Blocks

Kulka® 600 GP Series

300 Volts



Specifications:

- Base, Phenolic, 150°C
- JJ (GDI-30F) Material Available
- Open Back Design (Insulator Strip Required for Voltage Rating)
- Screws, #5-40 Binder Head, Phil-Slot, Brass
- Terminals, Plated Brass
- 1-22 Poles
- The Suitability Of These Devices For Greater Currents Shall Be Determined In The End-Use Application
- 3/8" Centers
- Wire Range With Wire Binding Screw #12-#22 AWG – 15 Amps
- UL Recognized File No. XCFR2.E47811
- CSA Certified File No. LR19766
- CE

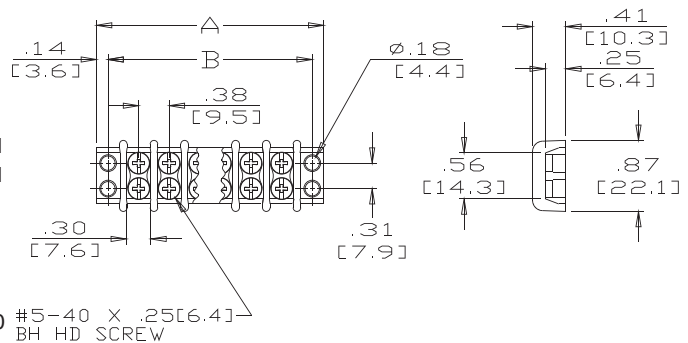
Catalog #	# of poles	Dimensions	
		A	B
600 GP 01 PSB	1	1.03	0.75
600 GP 02 PSB	2	1.41	1.13
600 GP 03 PSB	3	1.78	1.50
600 GP 04 PSB	4	2.16	1.88
600 GP 05 PSB	5	2.53	2.25
600 GP 06 PSB	6	2.91	2.63
600 GP 07 PSB	7	3.28	3.00
600 GP 08 PSB	8	3.66	3.38
600 GP 09 PSB	9	4.03	3.75
600 GP 10 PSB	10	4.41	4.13
600 GP 11 PSB	11	4.78	4.50

Catalog #	# of poles	Dimensions	
		A	B
600 GP 12 PSB	12	5.16	4.88
600 GP 13 PSB	13	5.53	5.25
600 GP 14 PSB	14	5.91	5.63
600 GP 15 PSB	15	6.28	6.00
600 GP 16 PSB	16	6.66	6.38
600 GP 17 PSB	17	7.03	6.75
600 GP 18 PSB	18	7.41	7.13
600 GP 19 PSB	19	7.78	7.50
600 GP 20 PSB	20	8.16	7.88
600 GP 21 PSB	21	8.53	8.25
600 GP 22 PSB	22	8.91	8.63

Top Mounted Hardware is .187" Wide
MM = Dim X 25.4

Hardware Options: (Hardware options may affect ratings - consult factory)

KT19	=	Full Quick Connect (0° flat)	See Page 98
KT20	=	Full Quick Connect (45° Bend)	See Page 98
KT21	=	Full Quick Connect (90° Bend)	See Page 98
ST	=	Full Solder	See Page 99
J 600	=	Line to Line Jumper	See Page 101
600 RJ(S)	=	Multiple Position Jumper	See Page 101
3/4 ST	=	Half Solder	See Page 99
KT25	=	Half Quick Connect (0° Flat)	See Page 98
KT26	=	Half Quick Connect (45° Bend)	See Page 98
KT27	=	Half Quick Connect (90° Bend)	See Page 98
Y	=	Feed Thru Solder (.312)	See Page 100
YSY	=	Feed Thru Solder (.500)	See Page 100
Z	=	Lug Over the Side (.625)	See Page 100
2004	=	Feed Thru Solder	See Page 103



See pages 96-111 for terminal block accessories