



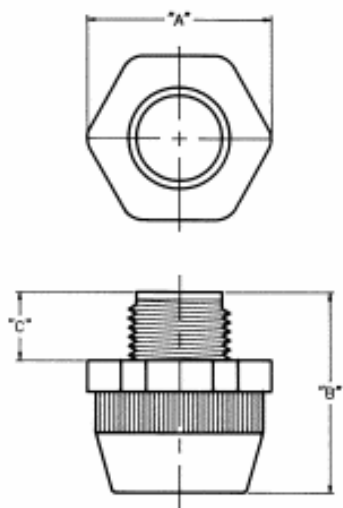
# TYPE - CF\_Straight

[Contact your local Sales Representative](#)  
[Click Here for Printable Version](#)

Cat #	A	Approx. B	Dimensions				NPT Thread Size	Threaded Unit Pack	Fittings Part #	Standard Carton	Part #	PG Cat #	Thread Thread Size	Metric Cat #	Thread Thread Size
			C	US Trade Size	MM	NW									
CF-140	31/32"	1-13/32"	15/32"	1/4"	10	7	PG-7	1	90199	-	-	-	-	-	-
CF-516	1-3/32"	1-3/8"	15/32"	5/16"	12	10	PG-9	1	90170	-	-	-	-	CFM-516	12mm
CF-10	1-1/16"	1-1/2"	1/2"	3/8"	16	12	1/2" NPT	25	90201	100	90202	CFP-10	PG-11	CFM-10	16mm
CF-11	1-5/16"	1-1/2"	1/2"	1/2"	20	17	1/2" NPT	25	90221	100	90222	CFP-11	PG-13.5	CFM-11	20mm
CF-12	1-5/8"	1-17/32"	9/16"	3/4"	25	23	3/4" NPT	25	90241	50	90242	CFP-12	PG-21	CFM-12	25mm
CF-13	2"	1-21/32"	21/32"	1"	32	29	1" NPT	10	90261	30	90262	CFP-13	PG-29	CFM-13	32mm
CF-14	2-5/16"	1-13/16"	23/32"	1-1/4"	40	36	1-1/4" NPT	5	90281	20	90282	CFP-14	PG-36	-	-
CF-15	2-13/16"	1-13/16"	23/32"	1-1/2"	50	48	1-1/2" NPT	2	90301	10	90302	CFP-15	PG-48	-	-

CF-17	3-7/8"	2-1/16"	17/64"	2-1/2"	70	70	3.149	1	90315	-	-	-	-	-	-	
CF-350	4-31/32"	2-1/16"	17/64"	3-1/2"	95	95	4.251	1	90325	-	-	-	-	-	-	

Straight Connector



Plastic Used: NYLON [See the Chemical Resistance Guide](#)

High Mech. Strength	Listed For Direct Burial	Halogen Free	Low Fire Hazard	Accepts Standard Liquidtight Fittings	Self Extinguish	EMI/RFI Shielding	Oil Resistance	Acid Resistance