

### PROBE SPECIFICATIONS

Minimum Centers: .100 (2,54)  
 Current Rating: 3 amps continuous  
 Spring Force: 3.8 or 7.0 oz. @ .050 (1,27) travel  
 Contact Resistance:  
 SS: <65 mΩ  
 GSS: <30 mΩ  
 Maximum Travel: .060 (1,52)  
 \*for SS-8 .050 (1,27)

Rated Force oz (gms)	Preload oz (gms)	Material
3.8 (108)	1.6 (45)	SS
7.0 (198)	1.3 (37)	MW

### RECEPTACLE SPECIFICATIONS

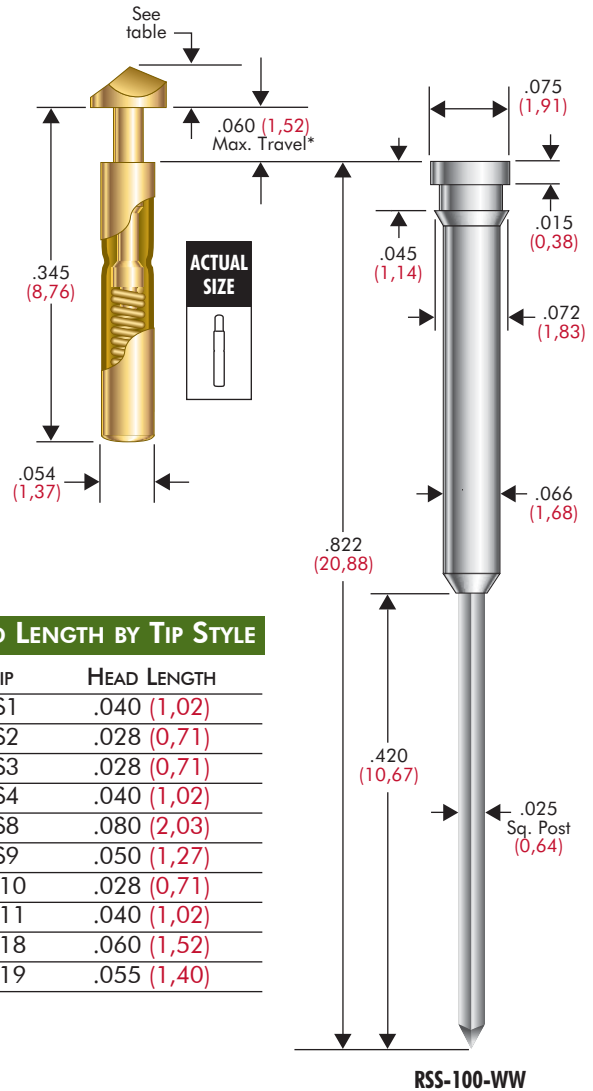
Connections:  
 RSS-100-CR: Crimp  
 RSS-100-NT: No Tail  
 RSS-100-WW: Wire Wrap, .025 square post .420 (10,67) length  
 RSS-100-RP: Round Post, .028 (0,71) diameter, .220 (5,59) length

**Recommended Wire:** 28-30 gage  
**Drill Size:** #30  
**Mounting Hole Size:** .068/.070 (1,73/1,78)

### MATERIALS

Barrel: SS: Nickel/silver  
 GSS: Nickel/silver, gold plated  
 Spring: SS: Stainless steel or music wire  
 GSS: Stainless steel or music wire, gold plated  
 Plunger: Full-hard beryllium copper, gold plated over nickel  
 Receptacle: Nickel/silver

### SS-100/GSS-100 PROBE AND RECEPTACLE



### HEAD LENGTH BY TIP STYLE

TIP	HEAD LENGTH
SS1	.040 (1,02)
SS2	.028 (0,71)
SS3	.028 (0,71)
SS4	.040 (1,02)
SS8	.080 (2,03)
SS9	.050 (1,27)
SS10	.028 (0,71)
SS11	.040 (1,02)
SS18	.060 (1,52)
SS19	.055 (1,40)

### HOW TO ORDER: SPRING CONTACT PROBE RECEPTACLE

**SS** SERIES    **1** TIP STYLE    **3.8** SPRING FORCE    **G** PLATING OPTIONS

**SERIES:**  
 SS: Nickel/Silver Barrel  
 GSS: Gold Plated Barrel

**CRIMPING PLIERS:** CPSS100    **INSERTION TOOL:** RTSS100

**SPRING FORCE:**  
 3.8 oz. @ .050 (1,27) travel  
 7.0 oz. @ .050 (1,27) travel

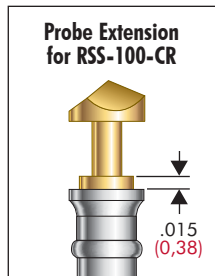
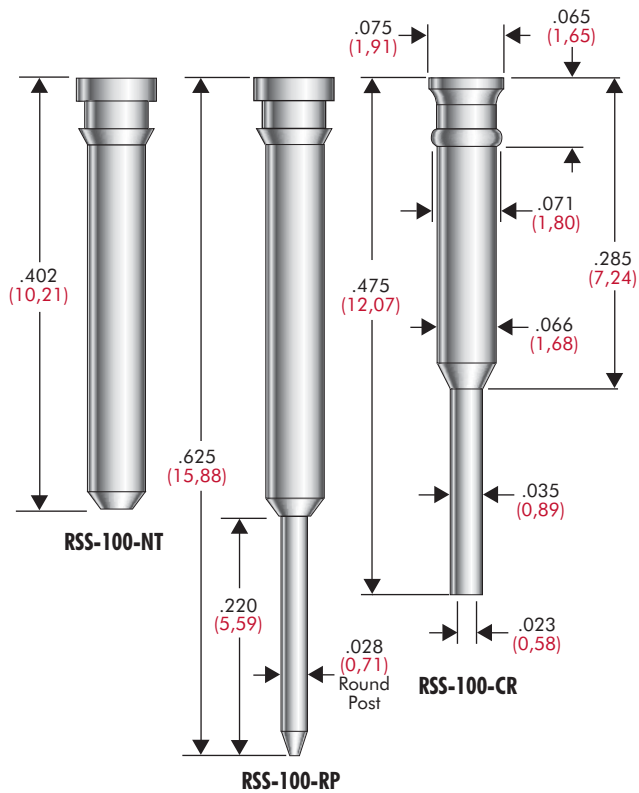
**RSS** SERIES    **100** SIZE    **WW** TERMINATION

**TERMINATIONS:**  
 CR: Crimp  
 RP: Round Post  
 NT: No Tail  
 WW: Wire Wrap

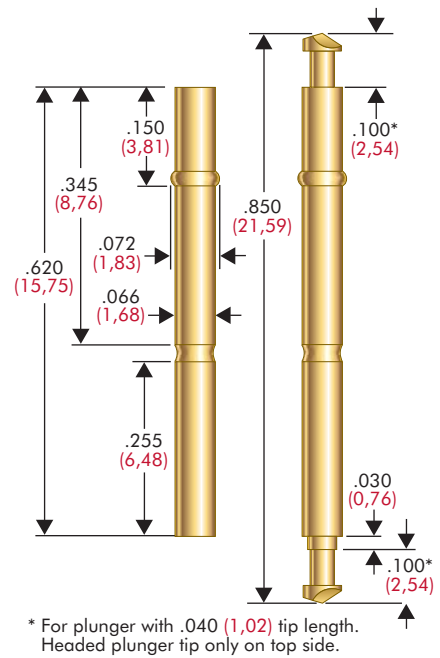
View updates of this information at <http://www.idinet.com>

Specifications subject to change without notice. Dimensions in inches (millimeters)

## SS-100/GSS-100 RECEPTACLES



## RSS/SS RECEPTACLE



### RECEPTACLE SPECIFICATIONS

Minimum Centers: .100 (2,54)

Drill Size: #50  
Mounting Hole Size: .068/.070 (1,73/1,78)

### MATERIALS

Standard Series: Nickel/silver

High Performance Series:  
Nickel/silver, gold plated  
over nickel

This receptacle houses an  
SS100 or GSS100 on each end.

### HOW TO ORDER

Standard Series: RS-SS/SS  
High Performance: R-SS/SS