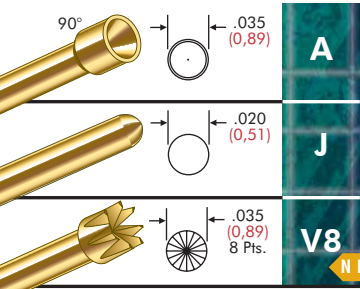
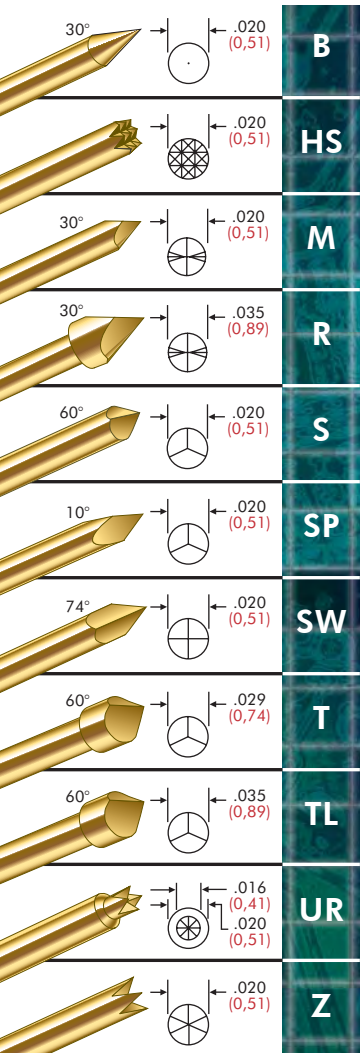


### BeCu PLUNGER TIPS



### STEEL PLUNGER TIPS



### PROBE SPECIFICATIONS

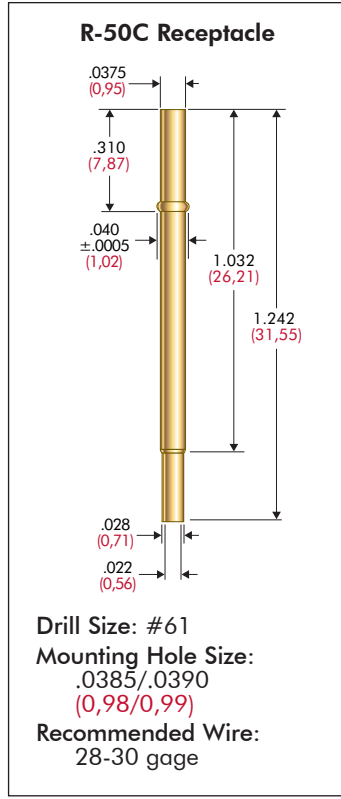
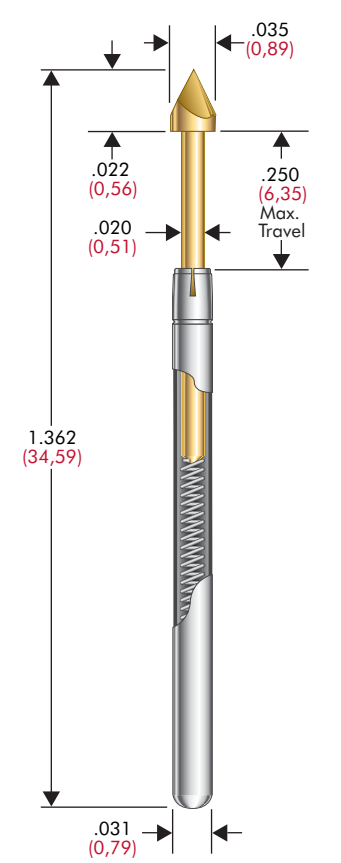
Minimum Centers: .050 (1,27)  
 Current Rating: 3 amps continuous  
 Spring Force: 4.3 or 5.6 oz. @ .170 (4,32) travel  
 Typical Resistance: <20 mΩ  
 Maximum Travel: .250 (6,35)  
 Working Travel: .170 (4,32)

Rated Force oz (gms)	Preload oz (gms)	Material
4.3 (122)	1.9 (54)	SS
5.6 (159)	2.1 (60)	MW

### MATERIALS

Barrel: DuraGold®  
 Spring: Music wire, nickel plated or stainless steel  
 Plunger: Full-hard beryllium copper or steel, gold plated over nickel  
 Receptacle: Beryllium copper, gold plated  
 Terminal: Nickel/silver, gold plated

### ICT-50C PROBE



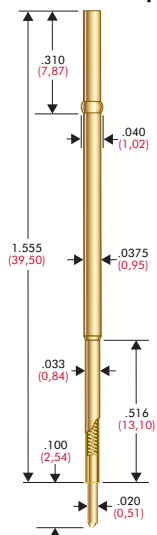
Drill Size: #61  
 Mounting Hole Size: .0385/.0390 (0,98/0,99)  
 Recommended Wire: 28-30 gage

### RECEPTACLE OPTIONS

Part Number	Style	Receptacle Length	Probe/Receptacle Combined Length	Comments
R-50C-CR	Crimp	1.242 (31,54)	1.572 (39,92)	—
R-50C-SC	Solder Cup	1.242 (31,54)	1.572 (39,92)	—
R-50C-WW-016	Wire Wrap	1.492 (37,89)	1.822 (46,27)	.250 post length - .016 sq.
R-50C-WW-025	Wire Wrap	1.542 (39,16)	1.872 (47,55)	.300 post length - .025 sq.
R-50C-DS	Duraseal*	1.242 (31,54)	1.572 (39,92)	30 or 28 gage wire, vacuum sealed
R-50C-WT	Plug-In Receptacle	1.242 (31,54)	1.572 (39,92)	For use with WT-EZ plug-in terminal
WT-EZ	Plug-In Terminal*	—	—	Plugs into R-50C-WT receptacle

\* Unless otherwise specified, wire length 36", strip length 1", 30 gage Kynar

### R-50C-J-DE Wireless Receptacle



Drill Size: #61  
 Mounting Hole Size:  
 .0385/.0390  
 (0,98/0,99)

For more information,  
 see page 25.

### PROBE SPECIFICATIONS

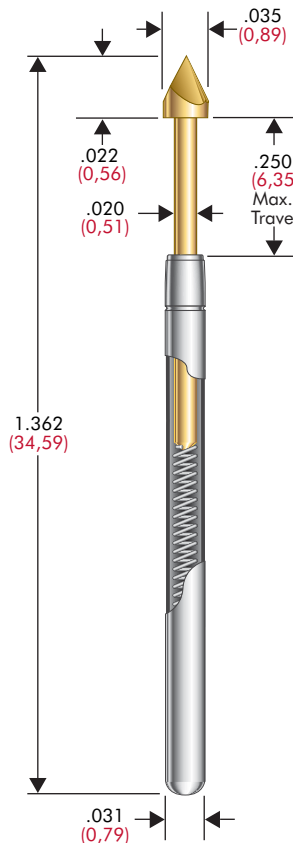
Minimum Centers: .050 (1,27)  
 Current Rating: 3 amps  
 continuous  
 Spring Force: 4.3 or 5.6 oz. @  
 .170 (4,32) travel  
 Typical Resistance: <25 mΩ  
 Maximum Travel: .250 (6,35)  
 Working Travel: .170 (4,32)

Rated Force oz (gms)	Preload oz (gms)	Material
3.2 (91)	1.5 (43)	SS
4.3 (122)	1.9 (54)	SS
5.6 (159)	2.1 (60)	MW

### MATERIALS

Barrel: DuraGold®  
 Spring: Music wire, nickel plated  
 or stainless steel  
 Plunger: Full-hard beryllium  
 copper or steel, gold plated  
 over nickel  
 Receptacle: Beryllium copper,  
 gold plated  
 Terminal: Nickel/silver, gold  
 plated

### S-50C PROBE



### PLUNGER TIPS

All plunger tips offered  
 in the ICT-50C are also  
 available in the S-50C  
 Series

### HOW TO ORDER:

### SPRING CONTACT PROBE

### RECEPTACLE

ICT	50C	T	5.6	DG	S
SERIES	SIZE	TIP STYLE	SPRING FORCE	PLATING OPTION	STEEL PLUNGER OPTION

SERIES:  
 ICT: High Performance  
 S: Standard Performance,  
 (No Bifurcated Beam)

CRIMPING PLIERS: CPR50C  
 INSERTION TOOL: RTR50C

SPRING FORCE:  
 4.3 oz. @ .170 (4,32) travel  
 5.6 oz. @ .170 (4,32) travel

R	50C	WW	016
SERIES	SIZE	TERMINATION	POST SIZE

TERMINATIONS:  
 CR: Crimp  
 SC: Solder Cup  
 WW: Wire Wrap  
 WT: Plug-In Receptacle\*\*  
 WT-EZ: Plug-In Terminal\*  
 DS: Duraseal\*

POST SIZE:  
 WW: 016 or 025

\* Unless otherwise specified, wire length 36", strip length 1", 30 gage Kynar  
 \*\* For use with WT-EZ plug-in terminal

View updates of this information at [www.idinet.com](http://www.idinet.com)

Specifications subject to change without notice. Dimensions in inches (millimeters)