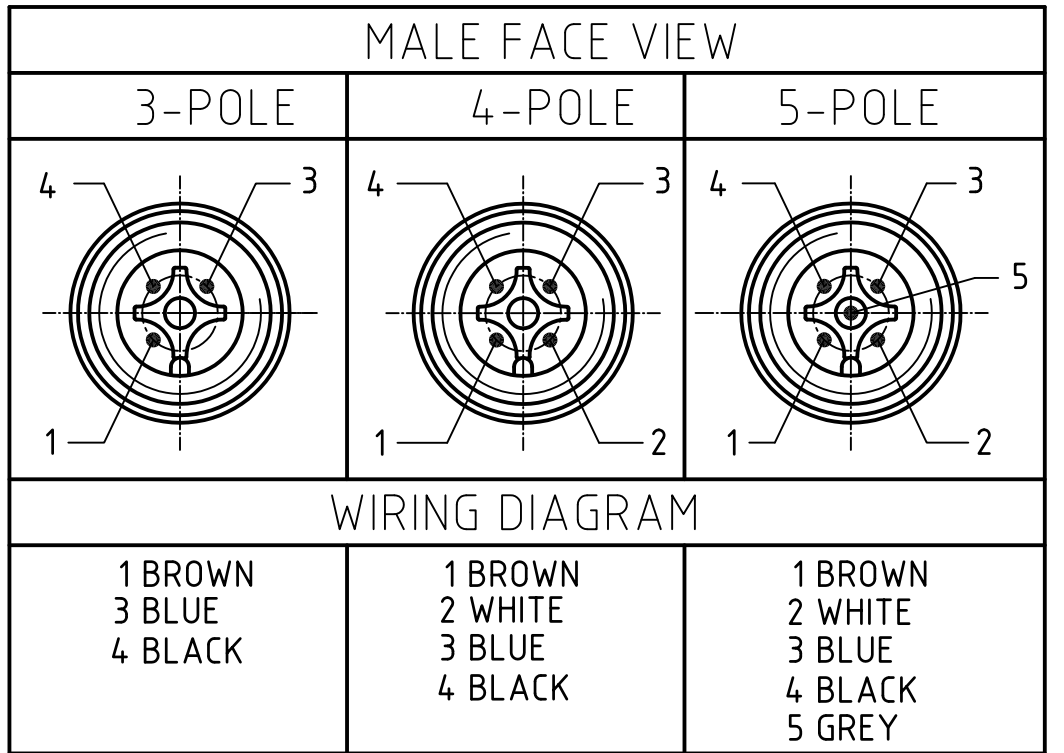


CONNECTOR SPECIFICATION:

VOLTAGE RATING	250 VAC/VDC
AMPERAGE RATING	max. 4 AMPS
PROTECTION	IP67
OPERATING TEMPERATURE	-20°C TO 80°C

ITEM	COMPONENT	MATERIAL	FINISH
6	LABLE	MYLAR	BLACK/YELLOW
5	COUPLER	BRASS	NICKEL PLATED
4	PIN CONTACT	COPPER ALLOY	GOLD OVER NICKEL
3	INSERT	PUR	BLACK
2	OVERMOLD	POLYURETHANE (PUR)	YELLOW
1	CABLE- 22/3-5 (COPPER STRANDING) 3/4/5 CONDUCT. 300V	JACKET: PUR	BLACK



DESCRIPTION EC NO: WEU2010-0284 DRWN: LSTEMMLE 2010/01/20 CHKD: NS APPR: NSTAUDIG 2010/01/26	QUALITY SYMBOLS ▽ = 0 ▽ = 0	GENERAL TOLERANCES (UNLESS SPECIFIED)		DIMENSION STYLE IN/MM	SCALE 2:1	DESIGN UNITS METRIC	THIRD ANGLE PROJECTION	
		mm	INCH	DRAWN BY DATE	MICRO-CHANGE CORDSET 3/4/5-POL MA STR SE 22/3-5 BLACK PUR CABLE			
		4 PLACES ±---	±---	CHECKED BY DATE				
		3 PLACES ±---	±---	RE 2010/01/21	MOLEX INCORPORATED			
2 PLACES ±---	±.01	APPROVED BY DATE	MATERIAL NO. SD-120065-044	DOCUMENT NO.	SHEET NO. 1 OF 1	THIS DRAWING CONTAINS INFORMATION THAT IS PROPRIETARY TO MOLEX INCORPORATED AND SHOULD NOT BE USED WITHOUT WRITTEN PERMISSION		
1 PLACE ±0.3	±---	NSTAUDIG 2010/01/25	SIZE A3					
DRAFT WHERE APPLICABLE MUST REMAIN WITHIN DIMENSIONS								

POL	MATERIAL NUMBER	ENGINEERING NUMBER	FINISHED LENGTH
3	1200060257	803006P03M020	6.56' +3.5" -0 [2.0M +89 -0]

POL	MATERIAL NUMBER	ENGINEERING NUMBER	FINISHED LENGTH
4	1200060570	804006P03M020	6.56' +3.5" -0 [2.0M +89 -0]
4	1200652141	804006P03M040	13.12' +6.5" -0 [4.0M +165 -0]
4	1200060047	804006P03M050	16.40' +6.5" -0 [5.0M +165 -0]
4	1200652142	804006P03M060	19.69' +6.5" -0 [6.0M +165 -0]
4	1200060572	804006P03M100	32.81' +12.5" -0 [10.0M +318 -0]

POL	MATERIAL NUMBER	ENGINEERING NUMBER	FINISHED LENGTH
5	1200060680	805006P03M020	6.56' +3.5" -0 [2.0M +89 -0]
5	1200652157	805006P03M040	13.12' +6.5" -0 [4.0M +165 -0]
5	1200060682	805006P03M050	16.40' +6.5" -0 [5.0M +165 -0]
5	1200062082	805006P03M060	19.69' +6.5" -0 [6.0M +165 -0]
5	1200652158	805006P03M100	32.81' +12.5" -0 [10.0M +318 -0]

DESCRIPTION EC NO: WEU2010-0284 DRWN: LSTEMMLE 2010/01/20 CH'KD: NS APPR: NSTAUDIG 2010/01/26 REV 1	QUALITY SYMBOLS ▽ = 0 ▽ = 0	GENERAL TOLERANCES (UNLESS SPECIFIED) mm INCH 4 PLACES ±--- ±--- 3 PLACES ±--- ±--- 2 PLACES ±--- ±.01 1 PLACE ±0.3 ±--- ANGULAR ± --- °	DIMENSION STYLE IN/MM DRAWN BY DATE CHECKED BY DATE RE 2010/01/21 APPROVED BY DATE NSTAUDIG 2010/01/25	SCALE 2:1 DESIGN UNITS METRIC THIRD ANGLE PROJECTION	MICRO-CHANGE CORDSET 3/4/5-POL MA STR SE 22/3-5 BLACK PUR CABLE	MOLEX INCORPORATED	MATERIAL NO. SEE TABLE	DOCUMENT NO. SD-120065-044	SHEET NO. 1 OF 1	
	DRAFT WHERE APPLICABLE MUST REMAIN WITHIN DIMENSIONS		SIZE A3	THIS DRAWING CONTAINS INFORMATION THAT IS PROPRIETARY TO MOLEX INCORPORATED AND SHOULD NOT BE USED WITHOUT WRITTEN PERMISSION						