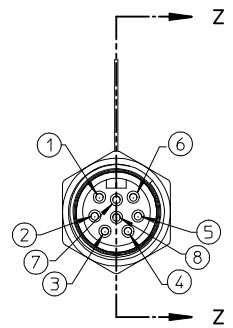
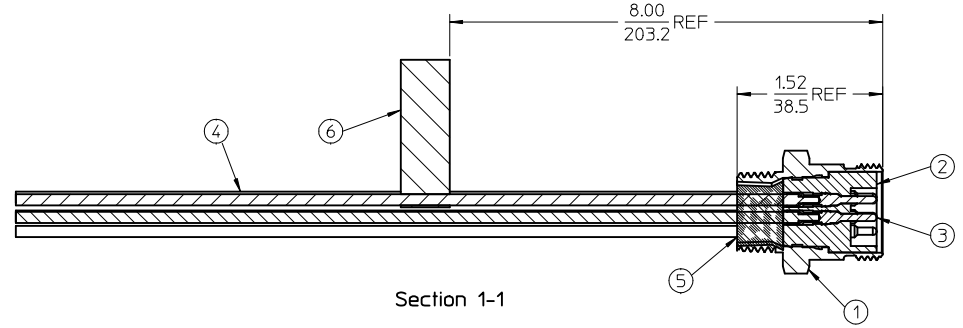
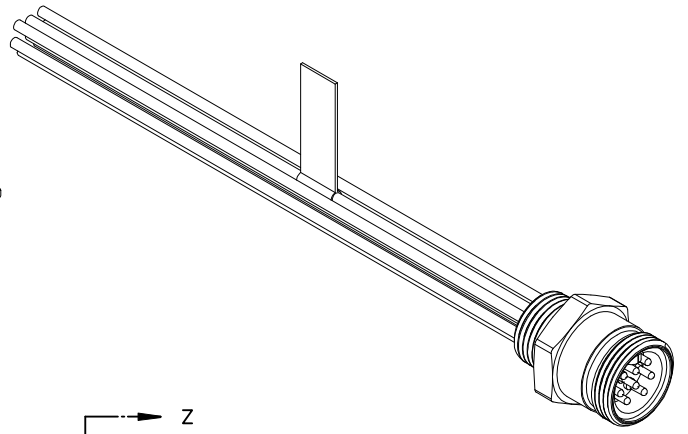
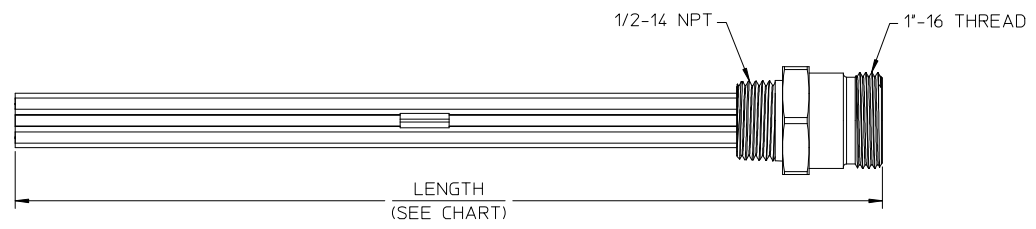
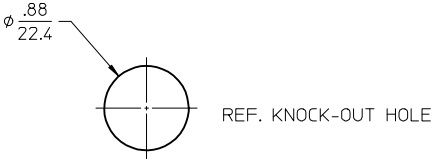


MATERIAL NO.	ENGINEERING NO.	LENGTH
1300140078	2R8006A20A120	12' +.75-0 [305mm +19.0-0]
1300140084	2R8006A20F060	6'0' +2.19 [1.8M +55.6-0]



1	ORANGE
2	BLUE
3	WHITE/BLACK
4	BLACK
5	WHITE
6	RED
7	GREEN/YELLOW-GND
8	RED/BLACK

- NOTES:
- MATERIAL: SEE TABLE
  - FINISHES: SEE TABLE
  - MATES WITH: 8/C MINI-CHANGE CORD ASSY.
  - ELECTRICAL SPECIFICATIONS:  
VOLTAGE RATING: 600V AC/DC  
CURRENT RATING: 7 AMPS
  - RoHS COMPLIANT

ITEM	QTY.	DESCRIPTION	MATERIAL	FINISH
6	1	LABEL	PLASTIC FILM	BLACK/YELLOW
5	1	POTTING	EPOXY	
4	8	WIRE, 16 AWG (UL 1015)	PVC INSULATED	SEE WIRE DIAGRAM
3	8	CONTACT PIN	BRASS	GOLD PLATED
2	1	INSERT	PVC	YELLOW
1	1	RECEPTACLE SHELL	ZINC ALLOY	E-COAT, BLACK

RELEASED	QUALITY SYMBOLS
EC NO: MNA2009-0813	▽=0
DRWN:RUPERT 2009/06/09	▽=0
CHKD:BRUPERT	
APPR:JFMURPHY 2009/06/10	
DESCRIPTION	
A	

GENERAL TOLERANCES (UNLESS SPECIFIED)	
4 PLACES ±	±
3 PLACES ±	±
2 PLACES ±	±.01
1 PLACE ±	±0.3
ANGULAR ±1/2°	
DRAFT WHERE APPLICABLE MUST REMAIN WITHIN DIMENSIONS	

DIMENSION STYLE	
IN/MM	
DRAWN BY	DATE
R.STONE	2009/04/03
CHECKED BY	DATE
B.WOODMAN	2009/04/03
APPROVED BY	DATE
J.MURPHY	2009/04/07
MATERIAL NO.	
SEE CHART	
SIZE	
C	

SCALE	DESIGN UNITS	THIRD ANGLE PROJECTION
1:1	INCH	
TITLE		
MINI-CHANGE RECEPTACLE MALE, 8 POLE 1/2 IN NPT		
MOLEX INCORPORATED		
DOCUMENT NO.	SHEET NO.	
SD-130014-005	1 OF 1	
THIS DRAWING CONTAINS INFORMATION THAT IS PROPRIETARY TO MOLEX INCORPORATED AND SHOULD NOT BE USED WITHOUT WRITTEN PERMISSION		