

6

5

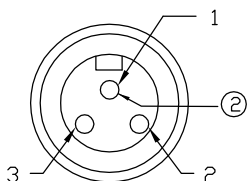
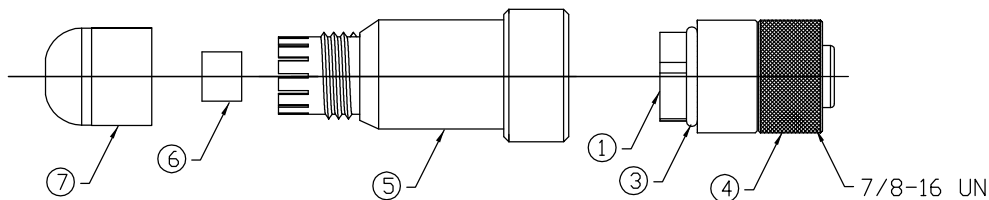
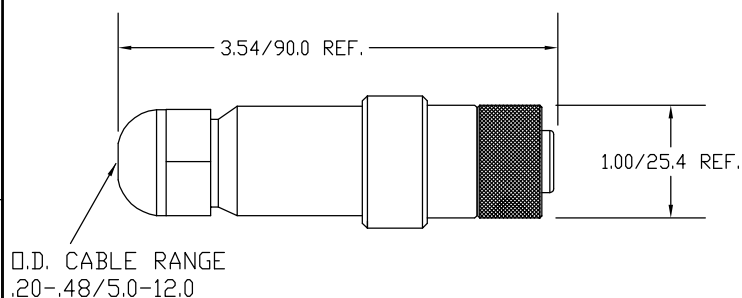
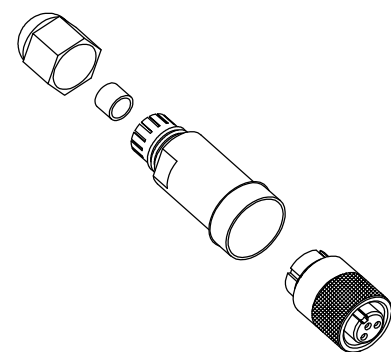
4

3

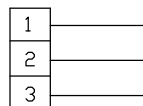
2

1

MATERIAL NUMBER	OLD PART NUMBER	COUPLING NUT MATERIAL	COUPLING NUT FINISH
130017-0004	1A3000-34	BRASS	NICKEL PLATED
130017-0005	1A3000-348	STAINLESS STEEL	PASSIVATED



FEMALE FACE VIEW



WIRING CHART

VOLTAGE RATING	600VAC/VDC
AMPERAGE RATING	13 AMPS
PROTECTION	IP67
OPERATING TEMPERATURE	-20°C TO 80°C
CSA CERTIFICATIONS	CSA CERTIFIED, FILE NO. LR6837

ITEM	COMPONENT	MATERIAL	FINISH
1	INSERT	NYLON	BLACK
2	CONTACTS	COPPER ALLOY	GOLD PLATED
3	O-RING	NITRILE	BLACK
4	COUPLING NUT	SEE CHART	SEE CHART
5	MOLDED BODY	NYLON	BLACK
6	GROMMET	NITRILE	BLACK
7	CORD GRIP BODY	NYLON	BLACK

I	EC NO: WNA2010-0067	DESCRIPTION REV
	DRWN: BWOODMAN 7/28/09	
	CHKD: JM	
	APPR: JFMURPHY 2009/08/10	
A		

	GENERAL TOLERANCES (UNLESS SPECIFIED)	
	mm	INCH
4 PLACES	±----	±----
3 PLACES	±----	±----
2 PLACES	±----	±.01
1 PLACE	±0.3	±----
ANGULAR ±----		°
DRAFT WHERE APPLICABLE MUST REMAIN WITHIN DIMENSIONS		

DIMENSION STYLE		SCALE	DESIGN UNITS
IN/MM		----	----
DRAWN BY	DATE	TITLE	
BW	2009/07/28	MINI 3P FEMALE ATTACH .20-.48 O.D. CABLE RANGE	
CHECKED BY	DATE	MOLDEX INCORPORATED	
TW	2009/07/29	SD-130017-002	
APPROVED BY	DATE	SHEET NO.	
---	---	1 OF 1	
MATERIAL NO.	SEE CHART	THIS DRAWING CONTAINS INFORMATION THAT IS PROPRIETARY TO MOLEX INCORPORATED AND SHOULD NOT BE USED WITHOUT WRITTEN PERMISSION	
SIZE	A		

THIRD ANGLE PROJECTION
MOLEX INCORPORATED
SD-130017-002
1 OF 1

6

5

4

3

2

1