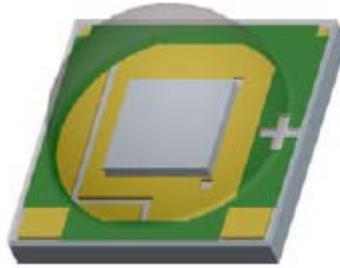
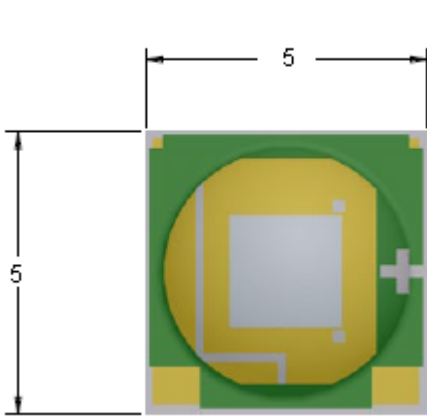


Emitter Boards

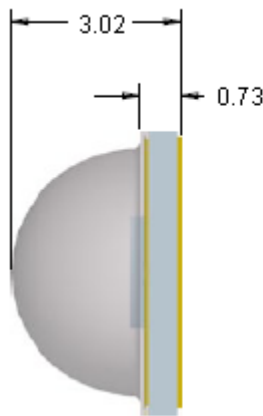
with Cree's XP LEDs



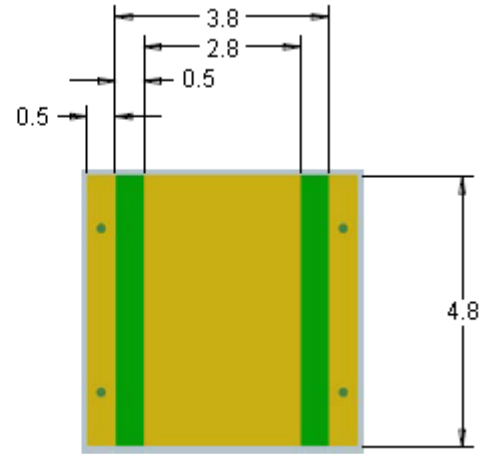
All measurements are ± 0.13 mm unless otherwise indicated



Top View

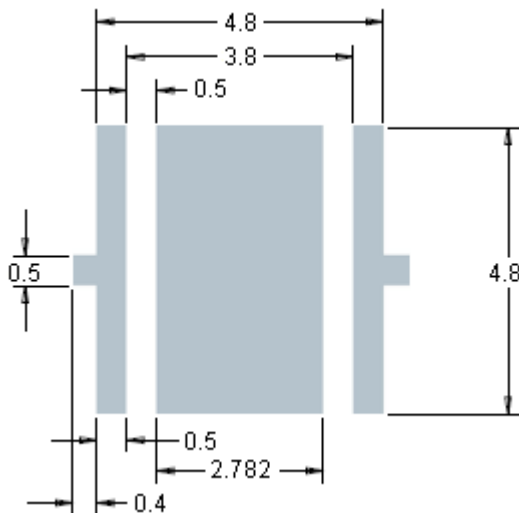


Side View

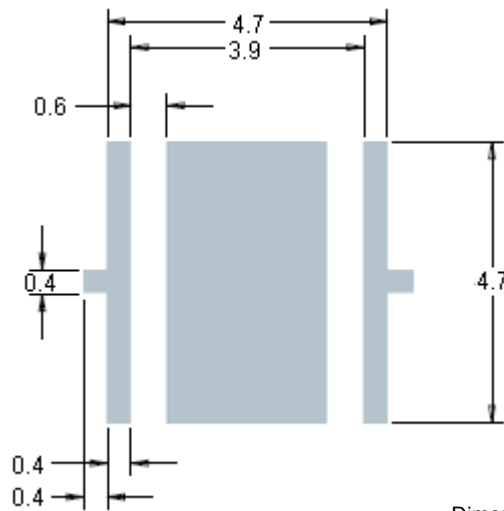


Dimensions : Millimetres

Bottom View



Recommended PCB Solder Pad

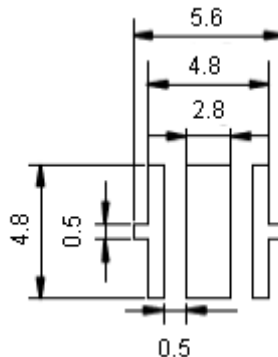
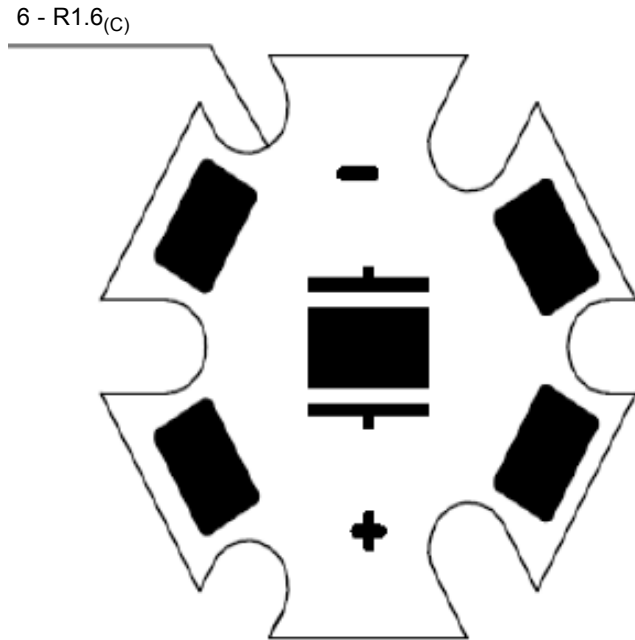
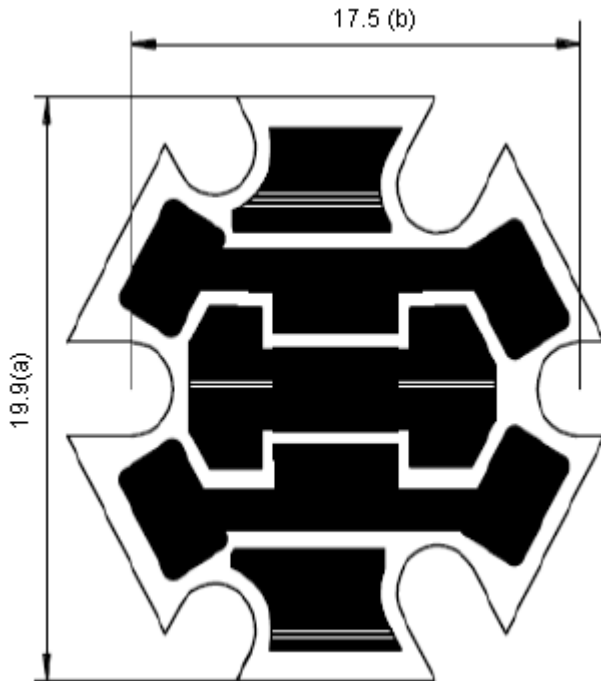


Dimensions : Millimetres

Recommended Stencil Pattern
(Shaded Area Is Open)

Emitter Boards

with Cree's XP LEDs



Measures	Tolerance
0 to 3	±0.05
3 to 6	±0.05
6 to 120	±0.1
120 to 315	±0.2
315 to 1,000	±0.3
Angle	±0.1°

Dimensions : Millimetres

Specification Table

LED Colour (5,000 K to 8,300 K)	LED Lumen (minimum)	LED VF (typical) @ 700 mA	LED Viewing Angle	Part Number
Cool White	260 lm	2.9 V	125°	XMLAWT-00-0000-0000T5050-STAR
Cool White	260 lm	2.9 V	125°	XMLAWT-00-0000-0000T5051-STAR
Cool White	260 lm	2.9 V	125°	XMLAWT-00-0000-0000T5053-STAR
Cool White	280 lm	2.9 V	125°	XMLAWT-00-0000-0000T6051-STAR
Cool White	280 lm	2.9 V	125°	XMLAWT-00-0000-0000T6053-STAR

Important Notice : This data sheet and its contents (the "Information") belong to the members of the Premier Farnell group of companies (the "Group") or are licensed to it. No licence is granted for the use of it other than for information purposes in connection with the products to which it relates. No licence of any intellectual property rights is granted. The Information is subject to change without notice and replaces all data sheets previously supplied. The Information supplied is believed to be accurate but the Group assumes no responsibility for its accuracy or completeness, any error in or omission from it or for any use made of it. Users of this data sheet should check for themselves the Information and the suitability of the products for their purpose and not make any assumptions based on information included or omitted. Liability for loss or damage resulting from any reliance on the Information or use of it (including liability resulting from negligence or where the Group was aware of the possibility of such loss or damage arising) is excluded. This will not operate to limit or restrict the Group's liability for death or personal injury resulting from its negligence. Multicomp is the registered trademark of the Group. © Premier Farnell plc 2012.