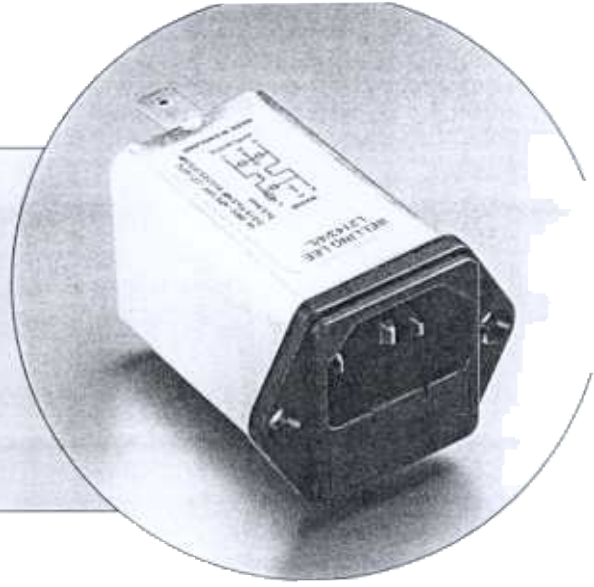


# Appliance inlet filter with integral fuseholder

This filter series protects electronic circuits against malfunction due to fast symmetrical and asymmetrical mains borne interference. The filter is equipped on the mains input side with a space saving IEC fixed plug with fuse. The fuseholder (20 x 5mm), can only be accessed once the mains connector has been withdrawn, it also has space for a spare fuselink. This filter is also available as a low earth leakage type, with earth leakage current less than 4 $\mu$ A

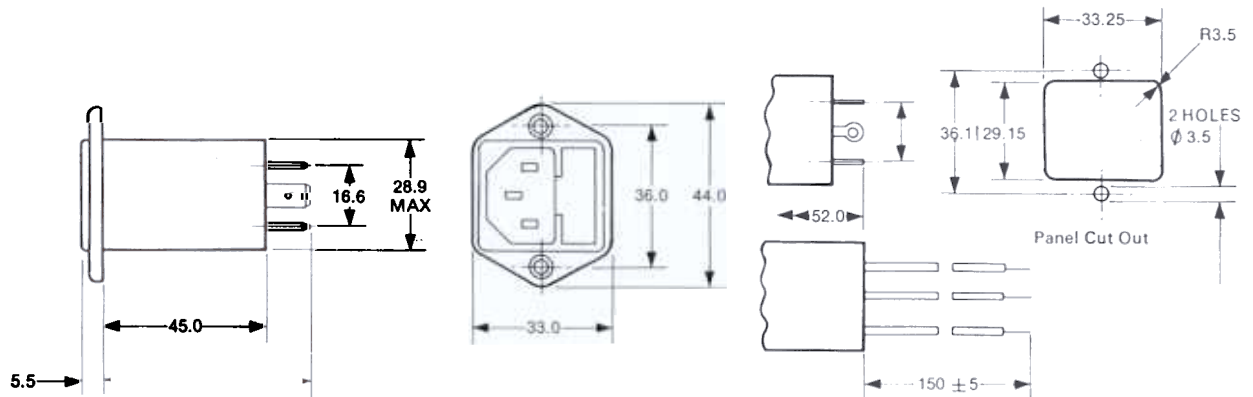


Current rating	2, 4, and 6 Amp	
Frequency	0-400Hz	
Operating voltage	250V ac maximum	
Temperature range	-25°C to +85°C	
Earth Leakage current	L2143 $\leq 2 \times 0,25\text{mA}$ L2774 $\leq 2 \times 2\mu\text{A}$	} at 250V 50Hz according to IEC348
Voltage drop per line	$\leq 1\text{V}$	
Capacitors	0,015 $\mu$ F (Class X2) 2200pF (Class Y)	
Inductance per line	2A 3mH 4A 2mH 6A 1,3mH	
Terminations	6,3 x 0,81 mm quick connect or solder Solder tag Equipment wires	

## APPROVALS

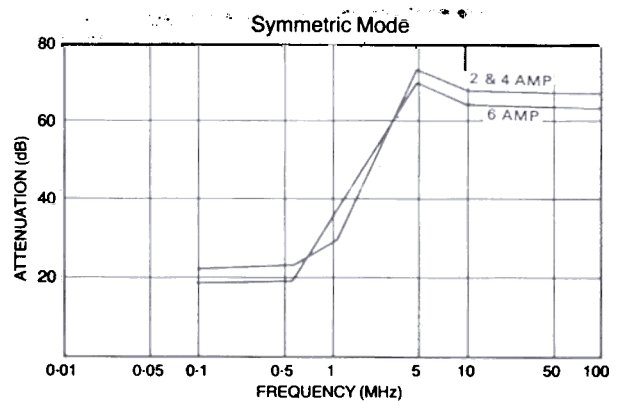
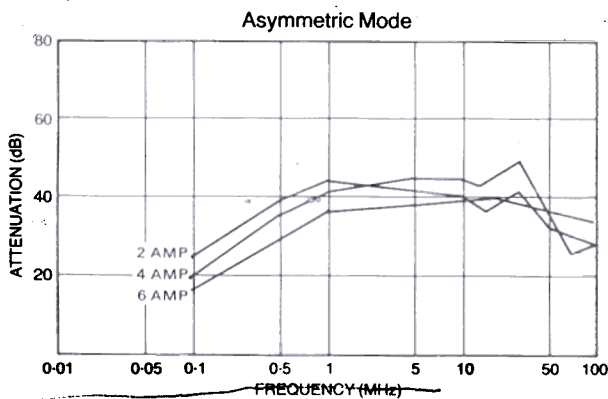
(VDE, UL, CSA applied for)

All dimensions are nominal and in mm



## PERFORMANCE CHARACTERISTICS

Typical when measured to BS613:1977



## ORDERING INFORMATION

Quick connect or solder	Part No.	Solder tags	Part No.	Equipment wires	Part No.
2 Amp	L2143/2/L	2 Amp	L2143/2/ST	2 Amp	L2143/2/W
2 Amp, low earth	L2774/2/L	2 Amp, low earth	L2774/2/ST	2 Amp, low earth	L2774/2/W
4 Amp	L2143/4/L	4 Amp	L2143/4/ST	4 Amp	L2143/4/W
4 Amp, low earth	L2774/4/L	4 Amp, low earth	L2774/4/ST	4 Amp, low earth	L2774/4/W
6 Amp	L2143/6/L	6 Amp	L2143/6/ST	6 Amp	L2143/6/W
6 Amp, low earth	L2774/6/L	6 Amp, low earth	L2774/6/ST	6 Amp, low earth	L2774/6/W

Protective PVC cover L1867/L