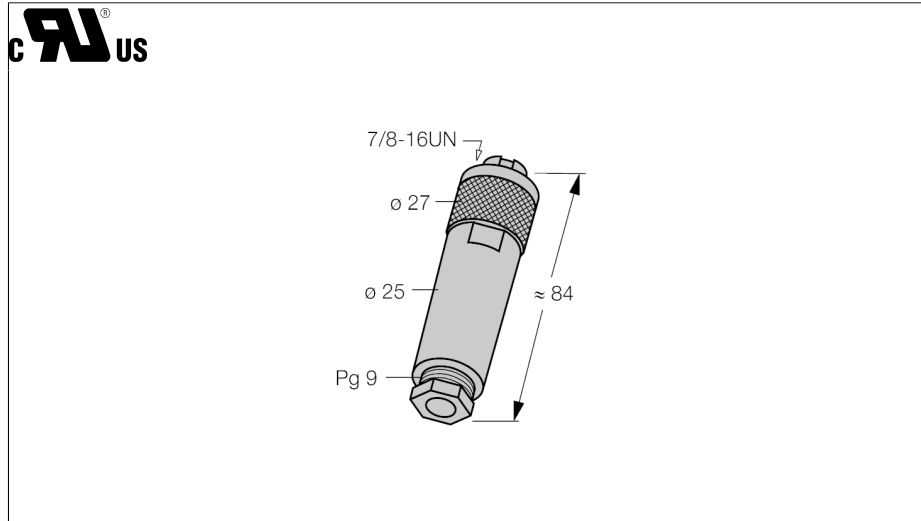
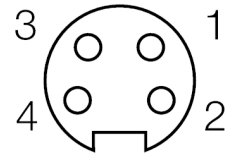


**Round connector 7/8"**  
**Female, straight, customizable**  
**B4141-0/9**



- Metal coupling nut
- Oil-resistant
- UL approval
- Screw-clamp terminal
- 4-pole
- PG9 screw-in thread
- Cable feedthrough 6.0 ... 8.0 mm

**Pin configuration**



<b>Type</b>	B4141-0/9
Ident-No.	6914504
<b>Connector</b>	field-wireable female connector, 7/8", straight
Polarity	4-pole
Contacts	metal, CuZn, nickel-plated with gold-coating
Contact carriers	plastic, TPU, black
Grip	plastic, PA, black
Coupling nut/screw	metal, Al, anodized
Seal	plastic, FPM/FKM
Screw-in thread seal	plastic, NBR
Degree of protection	IP67, only with screws tightened
External diameter of the cable	min. 6...max. 8mm
Screw-in thread	PG 9
Connection mode	screw clamp
Pollution degree	3
<b>Rated voltage</b>	max. 250 V
Approvals	UL
Insulation resistance	$\geq 10^8 \Omega$
Ampacity	9 A
Forward resistance	$\leq 5 \text{ m}\Omega$
Ambient temperature Connector	-40... +90°C