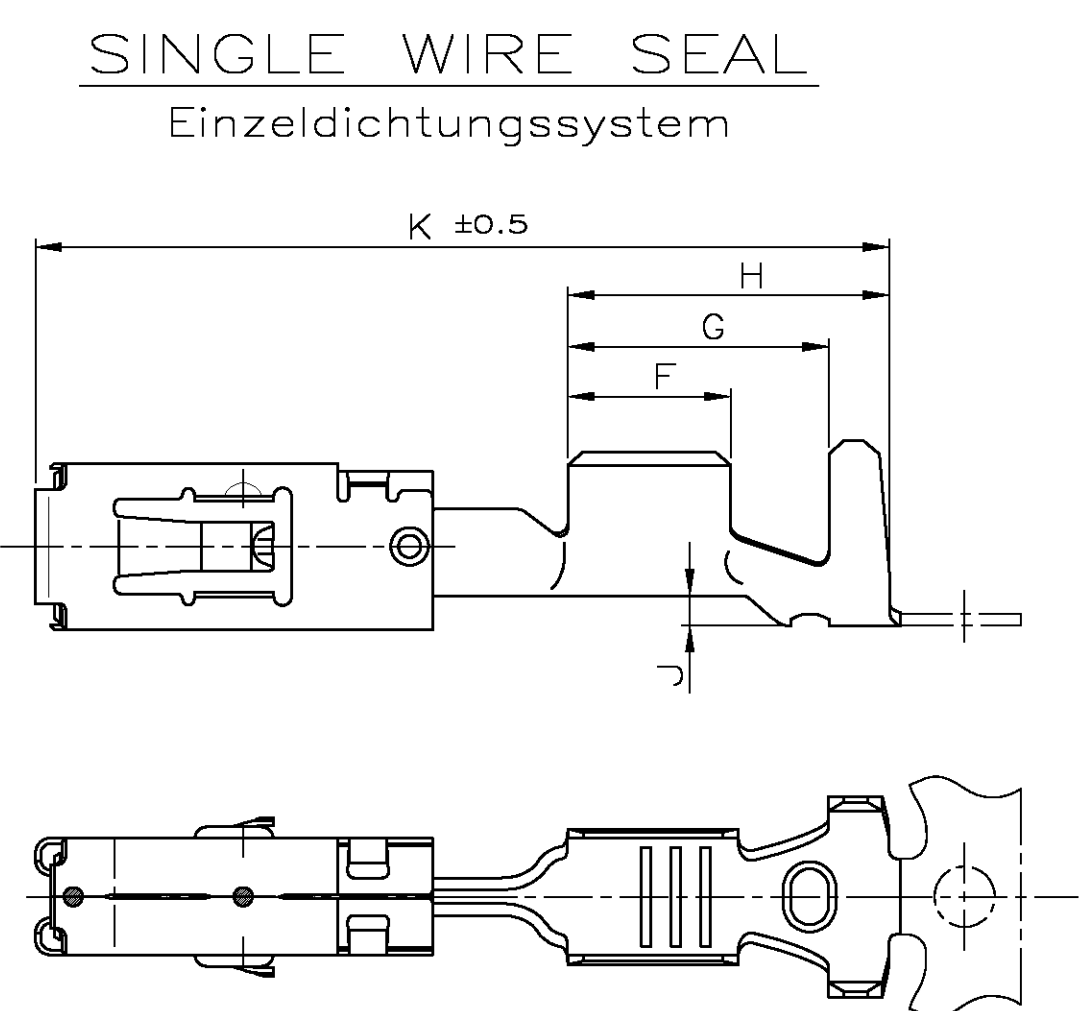
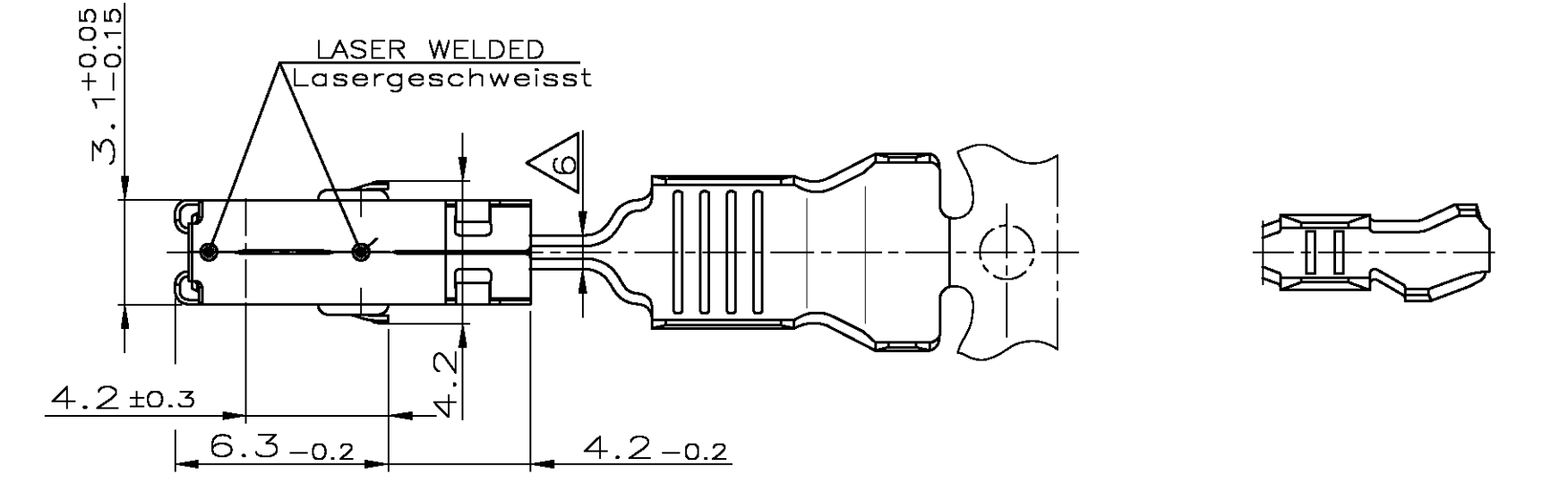
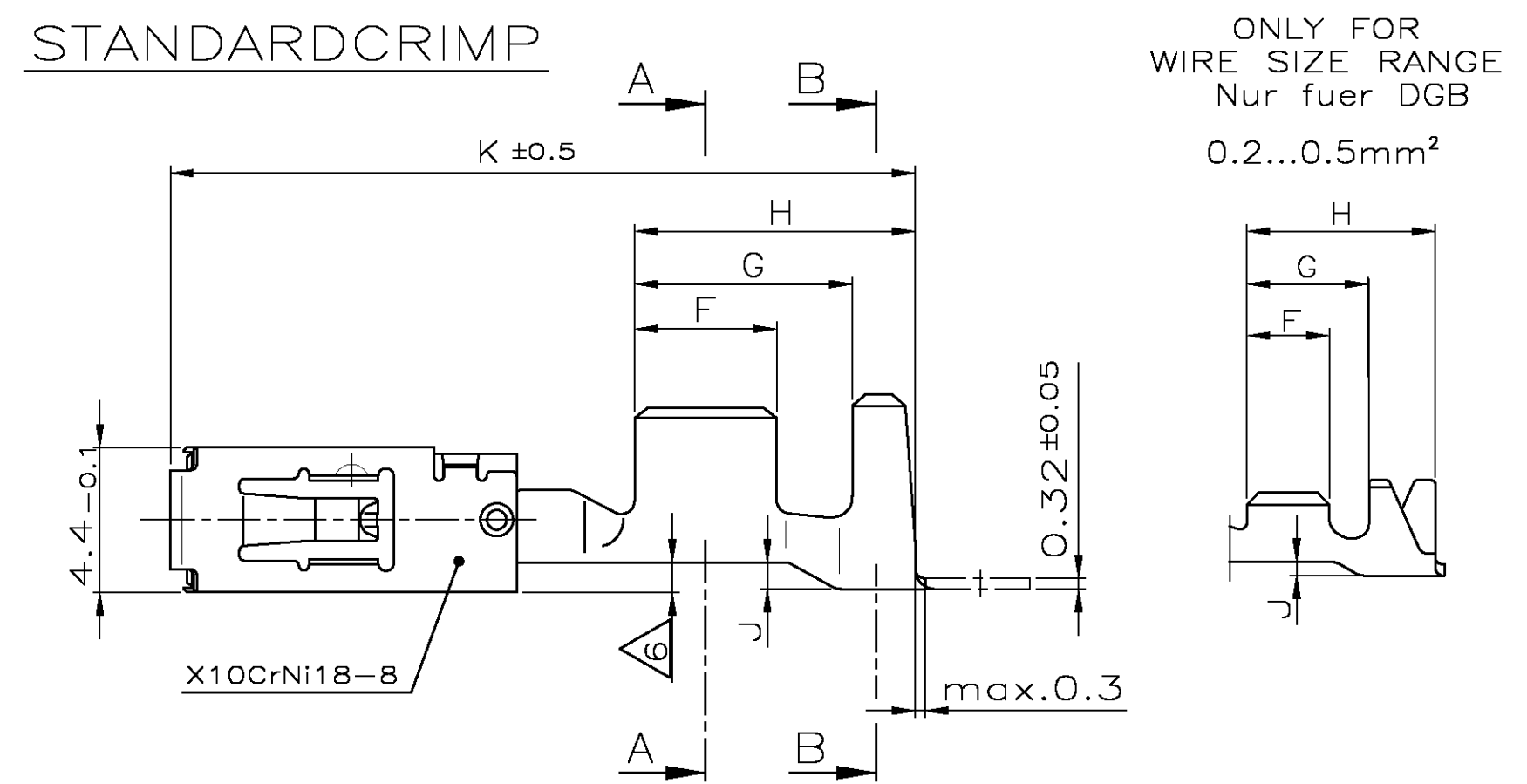
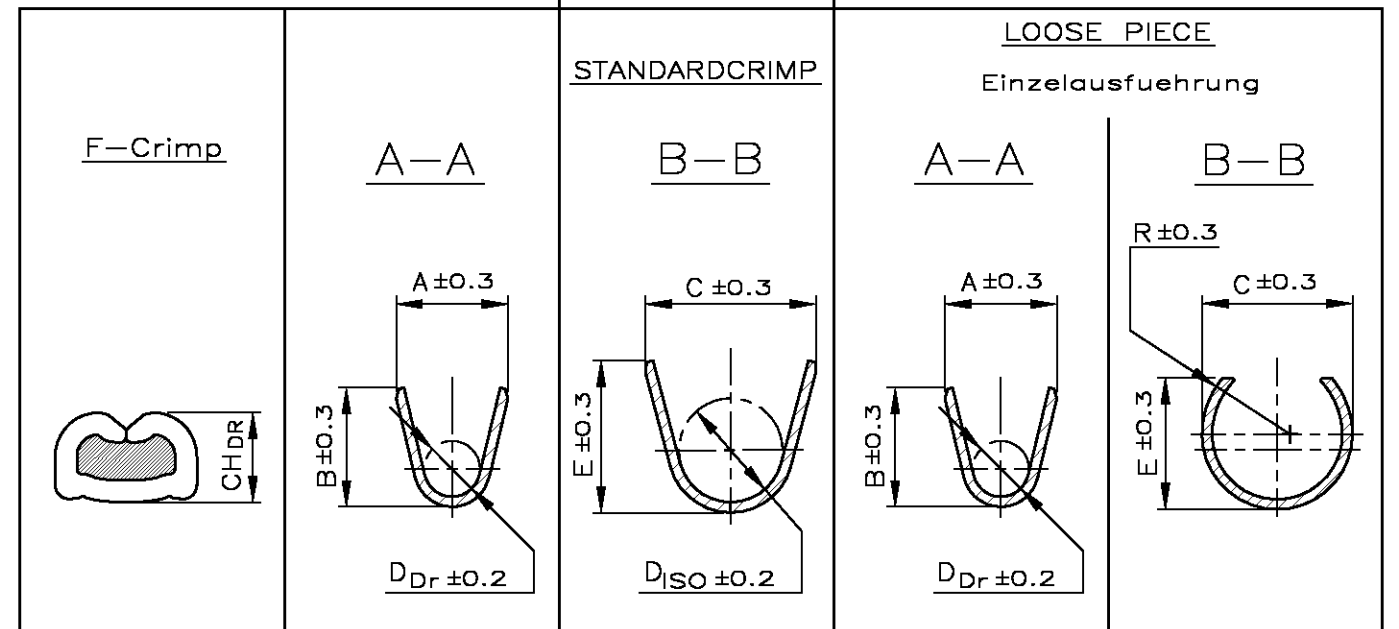
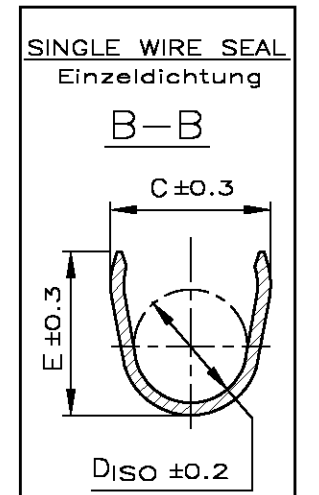


LOC	DIST	REV	DATE	BY	APPV
AI	-	J4	21MAR11	RK	HMR
		J5	25OCT11	Kirs.	Moir.

- REMARKS**
Bemerkungen
- MATING PART SEE INTERFACE DRAWING
TE-Nr.: 114-18230-002
Gegenstecker nach Ausführvorschrift
TE-Nr.: 114-18230-002
 - ONLY FOR FLR-WIRE SEE DIN 72551, PART 6
Nur fuer FLR-Leitung nach DIN 72551, Teil 6
 - APPLICATION OF CONTACTS VERSION A+B SEE SPEC.:114-18148
Verarbeitung der Kontakte Ausfuehrung A+B siehe Spec.:114-18148
 - SURFACE:
- PRE TIN PLATED 1 TO 3 µm
- GOLD PLATED MIN. 2µm (only contact area)
- SILVER PLATED 3 TO 5µm (only contact area)
Oberfläche:
- verzinkt 1 bis 3µm
- goldvergoldet min. 2µm (nur Kontaktzone)
- silbervergoldet 3 bis 5µm (nur Kontaktzone)
 - DOUBLE CRIMPS ARE ONLY POSSIBLE WITH APPLICATORS AUTHORIZED BY TE (NO HAND TOOL!)
SUITABLE TOOLS ON REQUEST
Doppelanschläge sind nur mit von TE zugelassenen Anschlagwerkzeugen möglich (keine Handzangen)
passende Werkzeuge auf Anfrage
 - GAUGE INSPECTION
Lehrenprüfung
 - DETAILS OF DESIGN ARE LEFT TO MANUFACTURER
Einzelheiten der Ausfuehrung bleiben dem Hersteller ueberlassen
 - ONLY THE GERMAN-LANGUAGE VERSION SHALL BE BINDING
Massgebend ist der deutsche Text
 - IN THE TRANSITION SUPPLY OF REV. D PERMISSIBLE
Im Uebergang Lieferung von Rev. D zulässig
 - PUNCHING OIL: RAZIOL CLF 11 SG
Stanzöl:



VERSION Aus-fuehrung	ORDER-NO. STRIP FORM	Rev.	ORDER-NO. LOOSE PIECE Bestell-Nr. Einzel-ausfuehrung	MATERIAL Rev.Werkstoff	SURFACE Oberfläche	APPLICATION TOOL POSSIBLE DOUBLE CRIMPS Anschlag-WKZ moeg. Doppelanschläge	HAND TOOL Handzange	WIRE SIZE RANGE Leiter-querschnitt mm²	CH OR WIRE CRIMP Drahtcrimp	CRIMP DIMENSIONS / Crimpabmessungen mm											SINGLE WIRE SEAL Einzelzeichnung TE CONNECTIVITY NO.	DEAD END PLUG Blindstopfen TE CONNECTIVITY NO.						
										A	B	DDr	C	E	DDr	A	B	C	E	R			F	G	H	J	K	
	1-1719506-3	A	-	Cu/NiSi	SILVER PLATED versilbert	-	-	12 AWG	-	4.0	4.2	2.0	5.0	5.0	3.5	-	-	-	-	-	-	3.5	5.9	7.5	0.8	21.0	828905-1	828922-1
	1-1719506-1	A	-	Cu/NiSi	PRE TIN PLATED verzinkt	-	-	-	-	-	-	-	-	-	-	-	-	-	-	-	-	-	-	-	-	-	-	-
	1-968859-4	E	1-968877-4	E	△	SILVER PLATED versilbert	-	-	-	-	-	-	-	-	-	-	-	-	-	-	-	-	-	-	-	-	-	-
	1-968859-3	E	1-968877-3	E	△	SILVER PLATED versilbert	-	-	-	-	-	-	-	-	-	-	-	-	-	-	-	-	-	-	-	-	-	-
	1-968859-2	-	1-968877-2	-	△	GOLD PLATED vergoldet	-	-	-	-	-	-	-	-	-	-	-	-	-	-	-	-	-	-	-	-	-	-
	1-968859-1	E	1-968877-1	E	△	PRE TIN PLATED verzinkt	-	-	-	-	-	-	-	-	-	-	-	-	-	-	-	-	-	-	-	-	-	-
	1-968857-4	E	1-968876-4	E	△	SILVER PLATED versilbert	-	-	-	-	-	-	-	-	-	-	-	-	-	-	-	-	-	-	-	-	-	-
	1-968857-3	E	1-968876-3	E	△	SILVER PLATED versilbert	-	-	-	-	-	-	-	-	-	-	-	-	-	-	-	-	-	-	-	-	-	-
	1-968857-2	-	1-968876-2	-	△	GOLD PLATED vergoldet	-	-	-	-	-	-	-	-	-	-	-	-	-	-	-	-	-	-	-	-	-	-
	1-968857-1	E	1-968876-1	E	△	PRE TIN PLATED verzinkt	-	-	-	-	-	-	-	-	-	-	-	-	-	-	-	-	-	-	-	-	-	-
	1-968855-4	E	1-968875-4	E	△	SILVER PLATED versilbert	-	-	-	-	-	-	-	-	-	-	-	-	-	-	-	-	-	-	-	-	-	-
	1-968855-3	E	1-968875-3	E	△	SILVER PLATED versilbert	-	-	-	-	-	-	-	-	-	-	-	-	-	-	-	-	-	-	-	-	-	-
	1-968855-2	E	1-968875-2	E	△	GOLD PLATED vergoldet	-	-	-	-	-	-	-	-	-	-	-	-	-	-	-	-	-	-	-	-	-	-
	1-968855-1	E	1-968875-1	E	△	PRE TIN PLATED verzinkt	-	-	-	-	-	-	-	-	-	-	-	-	-	-	-	-	-	-	-	-	-	-
	1-968882-3	E	1-968896-3	E	△	SILVER PLATED versilbert	-	-	-	-	-	-	-	-	-	-	-	-	-	-	-	-	-	-	-	-	-	-
	1-968882-2	E	1-968896-2	E	△	GOLD PLATED vergoldet	-	-	-	-	-	-	-	-	-	-	-	-	-	-	-	-	-	-	-	-	-	-
	1-968882-1	E	1-968896-1	E	△	PRE TIN PLATED verzinkt	-	-	-	-	-	-	-	-	-	-	-	-	-	-	-	-	-	-	-	-	-	-
	1-968853-3	E	1-968874-3	E	△	SILVER PLATED versilbert	-	-	-	-	-	-	-	-	-	-	-	-	-	-	-	-	-	-	-	-	-	-
	1-968853-2	-	1-968874-2	-	△	GOLD PLATED vergoldet	-	-	-	-	-	-	-	-	-	-	-	-	-	-	-	-	-	-	-	-	-	-
	1-968853-1	E	1-968874-1	E	△	PRE TIN PLATED verzinkt	-	-	-	-	-	-	-	-	-	-	-	-	-	-	-	-	-	-	-	-	-	-
	1-968851-3	E	1-968873-3	E	△	SILVER PLATED versilbert	-	-	-	-	-	-	-	-	-	-	-	-	-	-	-	-	-	-	-	-	-	-
	1-968851-2	E	1-968873-2	E	△	GOLD PLATED vergoldet	-	-	-	-	-	-	-	-	-	-	-	-	-	-	-	-	-	-	-	-	-	-
	1-968851-1	E	1-968873-1	E	△	PRE TIN PLATED verzinkt	-	-	-	-	-	-	-	-	-	-	-	-	-	-	-	-	-	-	-	-	-	-
	1-968849-3	E	1-968872-3	E	△	SILVER PLATED versilbert	-	-	-	-	-	-	-	-	-	-	-	-	-	-	-	-	-	-	-	-	-	-
	1-968849-2	E	1-968872-2	E	△	GOLD PLATED vergoldet	-	-	-	-	-	-	-	-	-	-	-	-	-	-	-	-	-	-	-	-	-	-
	1-968849-1	E	1-968872-1	E	△	PRE TIN PLATED verzinkt	-	-	-	-	-	-	-	-	-	-	-	-	-	-	-	-	-	-	-	-	-	-
	1-968880-3	E	1-968895-3	E	△	SILVER PLATED versilbert	-	-	-	-	-	-	-	-	-	-	-	-	-	-	-	-	-	-	-	-	-	-
	1-968880-2	-	1-968895-2	-	△	GOLD PLATED vergoldet	-	-	-	-	-	-	-	-	-	-	-	-	-	-	-	-	-	-	-	-	-	-
	1-968880-1	E	1-968895-1	E	△	PRE TIN PLATED verzinkt	-	-	-	-	-	-	-	-	-	-	-	-	-	-	-	-	-	-	-	-	-	-

THIS DRAWING IS A CONTROLLED DOCUMENT.
DIESE ZEICHNUNG IST EIN KONTROLLIERTES DOKUMENT.

APPROVED BY: S. Blidar 22.09.97
DRAWN BY: G. Hotea 22.09.97

PRODUCT GROUP DRAWING FOR
Tabellenzeichnung fuer
AMP MCP2.8

SCALE: 1:1
SHEET: 1 OF 1

CUSTOMER DRAWING / KUNDENZEICHNUNG