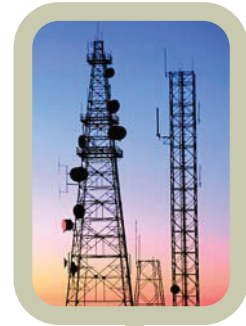


Amphenol

www.amphenol.co.uk



Barracuda
Environmental
IP68 Sealed
Connectors



**ROHS
Compliant**

For more information call **01227 773200**

Amphenol Ltd, Thanet Way, Whitstable, Kent, CT5 3JF, England

Barracuda

Environmental IP68 Sealed Connectors



The Barracuda range of environmental IP68 sealed connectors is specifically designed for harsh applications where water, dust, oil or spray is present. These moulded connectors are interchangeable with the equivalent Bulgin standard Buccaneer range of connectors, with feature enhanced ergonomics and ruggedised mouldings.

The Barracuda bodies are moulded from glass filled nylon and are all the same outside diameter of 38mm at the largest point. The styles are In-Line free style Plug, In-Line free style Receptacle and Fixed jam nut Receptacle, all with dust caps to suit all. Amphenol has various screw termination contact solutions from 3 way with leading earth contacts for the socket version, 4 way, 6 way and 7 ways. All the inserts are interchangeable between plug and socket.

All materials are UL approved.

SPECIFICATION

Electrical

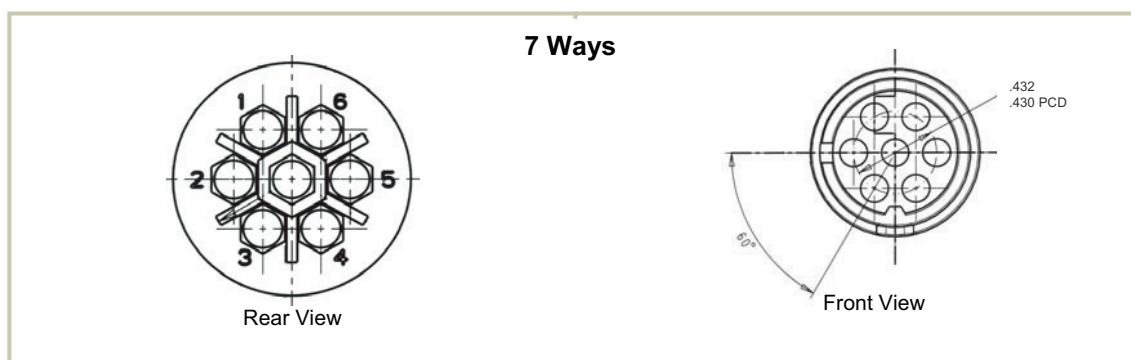
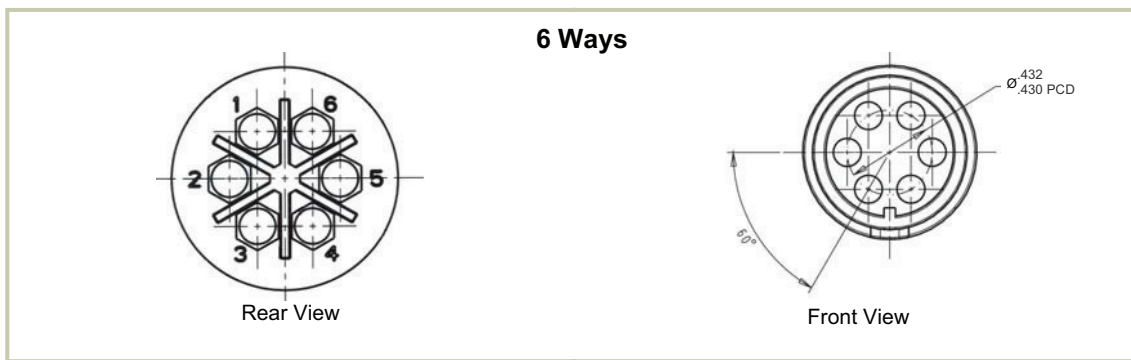
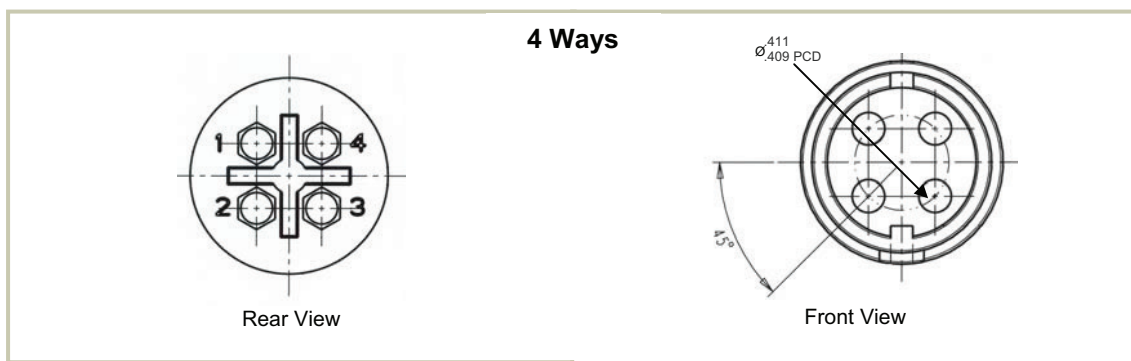
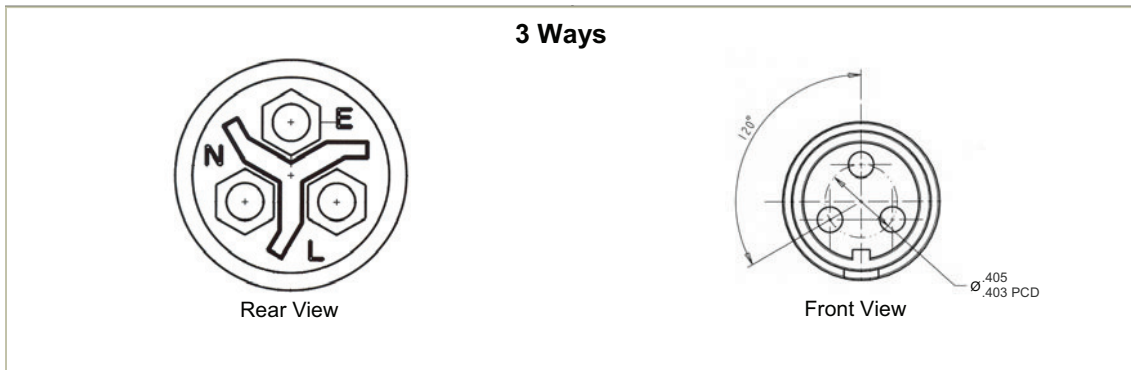
- Ratings: 3 Way 10A 50V ac/dc
 4 Way 6A 250V ac/dc
 6,7 Way 3A 250V ac/dc
- Contact Resistance: <5m Ω (2-9 way)
- Insulation Resistance: >10⁴M (@500v ac)
- Operating Temp Range: -40°C to 110°C

Material

- Body Mouldings: Glass filled Nylon
- Flammability Ratings: UL94HB Body Mouldings
 UL94V-0 Inserts
- Contacts: Screw Terminal, brass
 Nickel plated
- Cable Acceptance: 6-8mm O/D

Barracuda

Available Pin Inserts



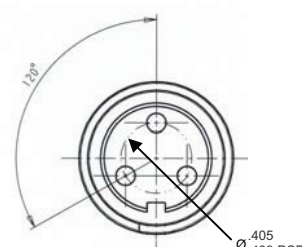
Barracuda

Available Socket Inserts

3 Ways

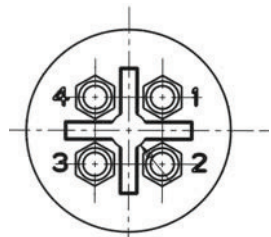


Rear View

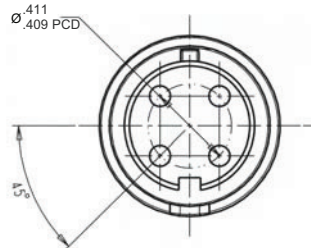


Front View

4 Ways

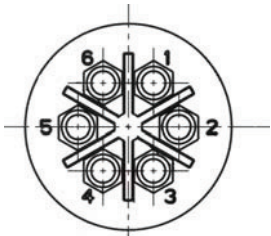


Rear View

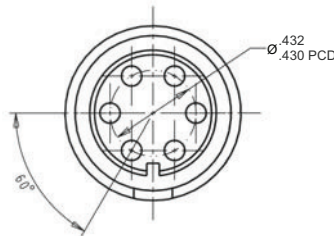


Front View

6 Ways

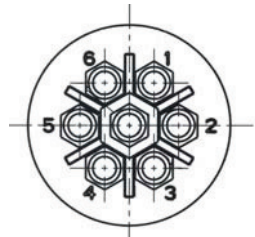


Rear View

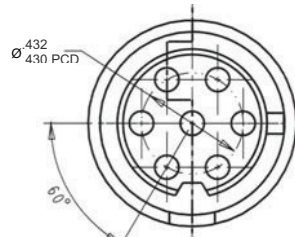


Front View

7 Ways



Rear View



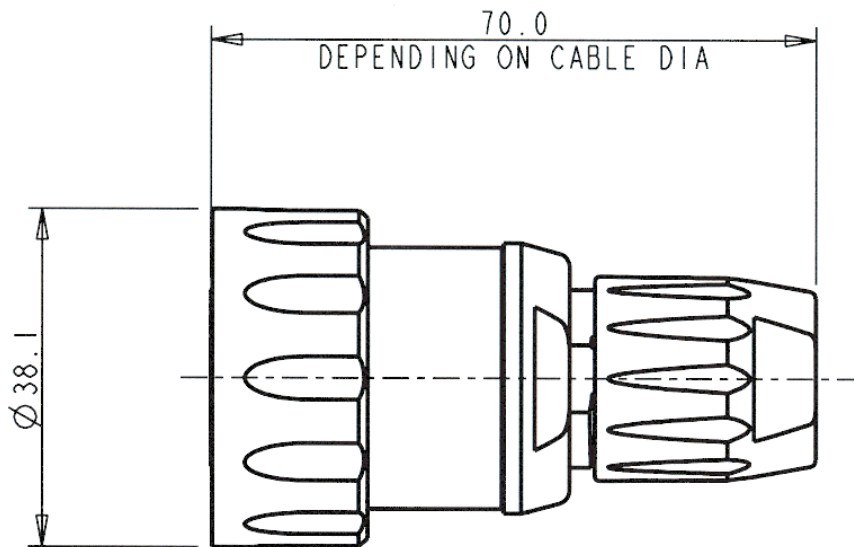
Front View

Barracuda

Styles

Flex Cable Plug Connector

Complete with Backshell



Flex Cable Plug Connector

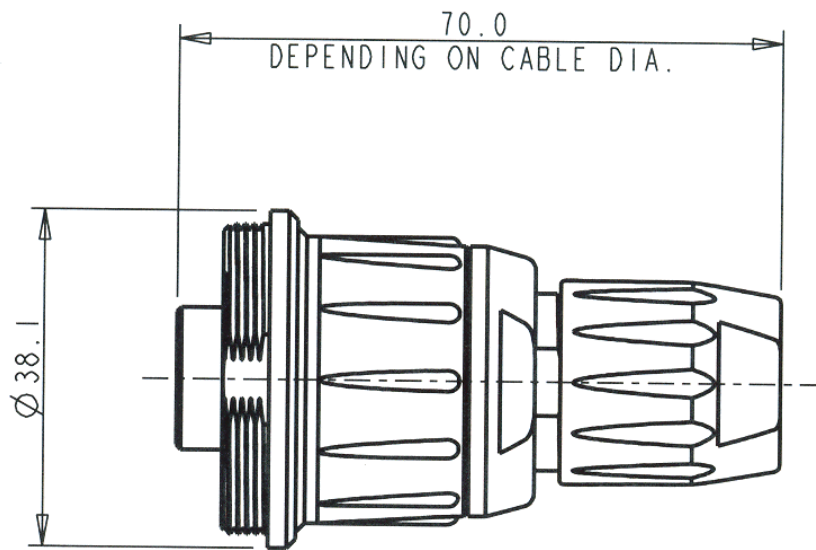
Part Number	Pole	Contact Style
BAR0731P-IP68	3	Pin
BAR0731S-IP68	3	Socket
BAR0748P-IP68	4	Pin
BAR0748S-IP68	4	Socket
BAR0739P-IP68	6	Pin
BAR0739S-IP68	6	Socket
BAR0745P-IP68	7	Pin
BAR0745S-IP68	7	Socket

Barracuda

Styles

In-Line Flex Cable Receptacle Connector

Complete with Backshell



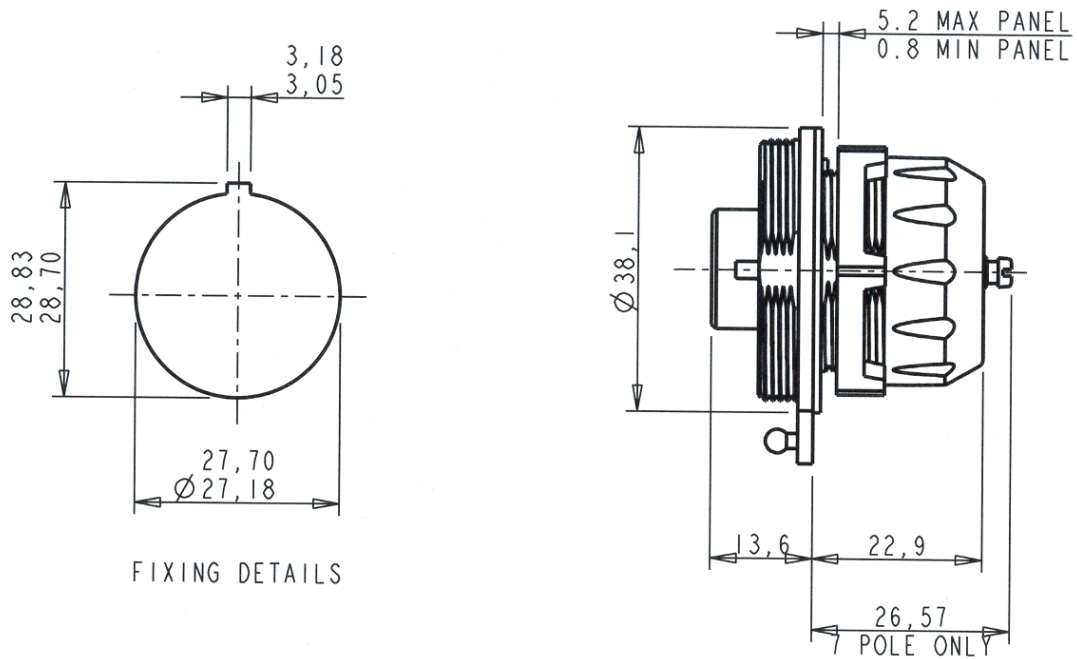
In-Line Flex Cable Receptacle Connector

Part Number	Pole	Contact Style
BAR0732P-IP68	3	Pin
BAR0732S-IP68	3	Socket
BAR0749P-IP68	4	Pin
BAR0749S-IP68	4	Socket
BAR0740P-IP68	6	Pin
BAR0740S-IP68	6	Socket
BAR0746P-IP68	7	Pin
BAR0746S-IP68	7	Socket

Barracuda

Styles

Front Panel Mounting Receptacle Connector



Front Panel Mounting Receptacle Connector

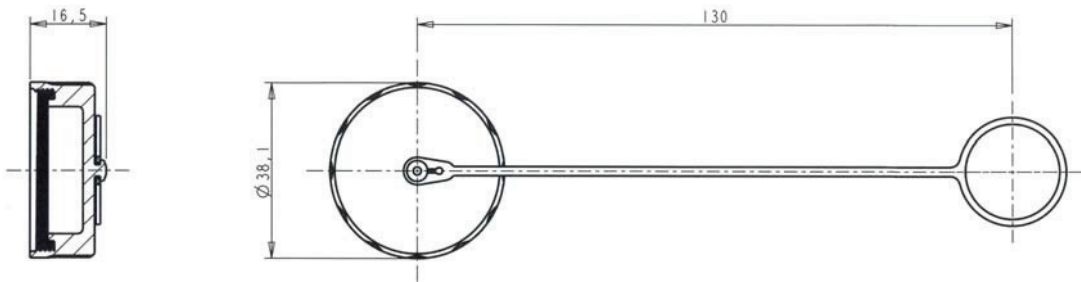
Part Number	Pole	Contact Style
BAR0730P-IP68	3	Pin
BAR0730S-IP68	3	Socket
BAR0747P-IP68	4	Pin
BAR0747S-IP68	4	Socket
BAR0738P-IP68	6	Pin
BAR0738S-IP68	6	Socket
BAR0744P-IP68	7	Pin
BAR0744S-IP68	7	Socket

Barracuda

Styles

Sealing Cap

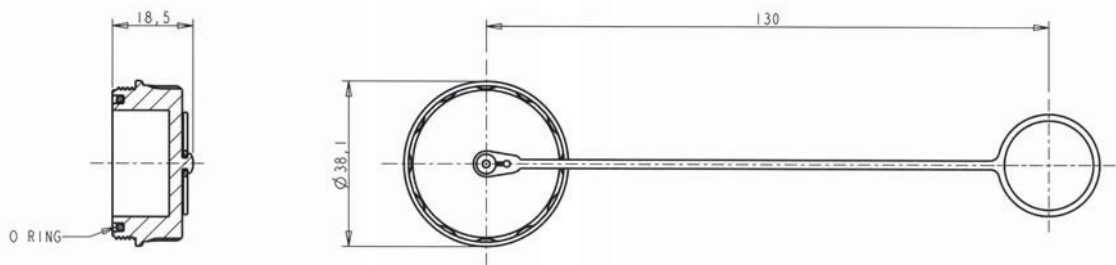
To suit In-Line Flex Receptacle and Front Panel Mounting Receptacle Connectors



Part Number	Used On
BAR0733-IP68	In Line and Panel Connectors

Sealing Cap

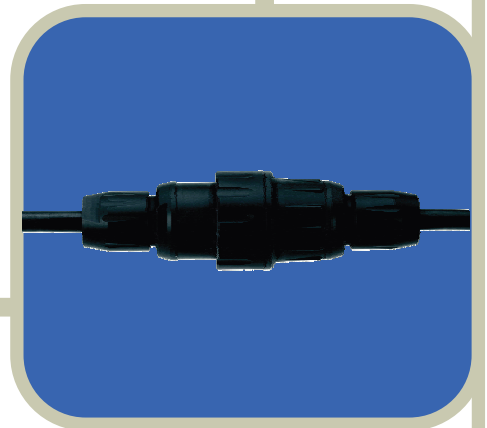
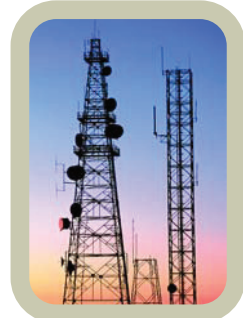
To suit Flex Cable Plug Connector



Part Number	Used On
BAR0734-IP68	Flex Cable Connector

Amphenol

www.amphenol.co.uk



**ROHS
Compliant**

For more information call 01227 773200

Amphenol Ltd, Thanet Way, Whitstable, Kent, CT5 3JF, England

Notice: Products are sold subject to Amphenol's conditions of sale ("the standard conditions"). All specifications and statements contained herein are believed to be correct at the time of printing but no representation or warranty, express or implied, is given as to any specification or statement contained herein. Product specifications including performance characteristics are typical only and subject to deviation. Specifications are also subject to change without notice. Users should not assume that all safety measures are indicated or that other measures may not be required. No representation or warranty, express or implied, is given that any use of products (including any stated or suggested use) does not infringe any patent, registered design or other third party rights and no stated or suggested use of products can be taken to recommend any such infringement.