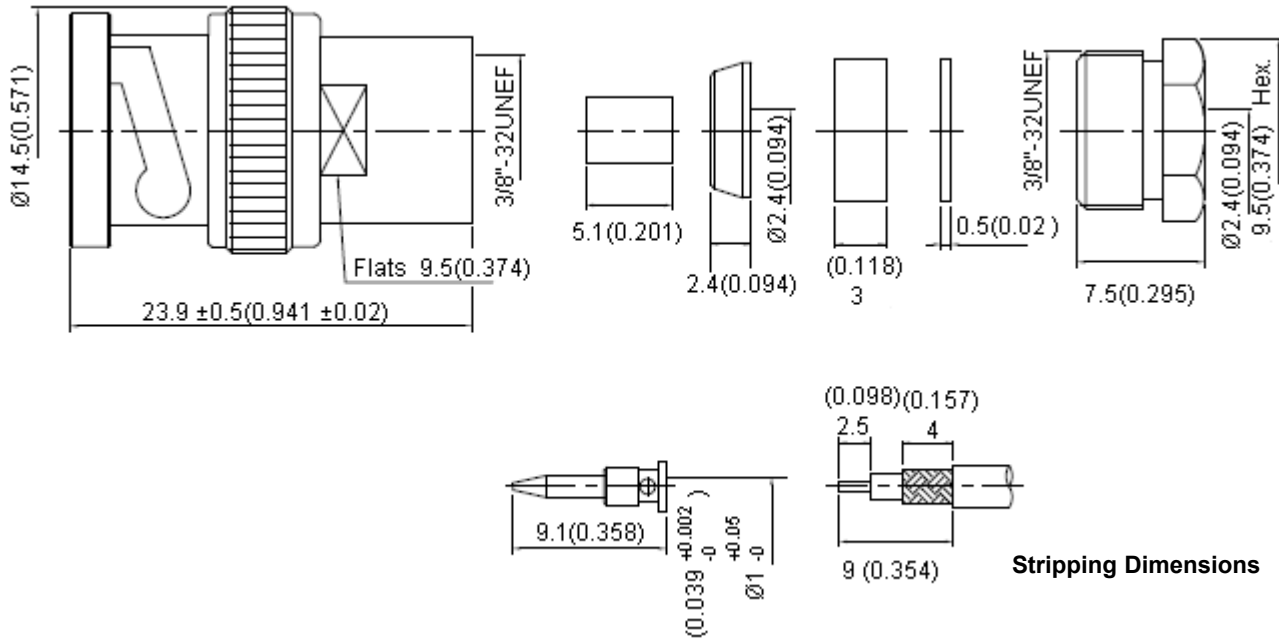


BNC Straight Plug Clamp



Stripping Dimensions

Dimensions : Millimetres (Inches)

Specifications

Electrical:

Frequency Range	: DC-4 GHz
Nominal Impedance	: 50 Ohms
Working Voltage	: 500 Volts Maximum
Proof Voltage	: 1,500 Volts

Materials:

Bodies	: Brass
Centre Contact	: Brass
Insulation	: PTFE

Mechanical:

Cable Attachment	: Outer: Solder, Inner: Solder
------------------	--------------------------------

Environmental:

Operating Temperature Range	: -20°C To +60°C
-----------------------------	------------------

BNC Straight Plug Clamp



No.	Description	Material	Finish
1	Shell	Zinc	Nickel
2	Body	Brass	Nickel 100 µ" Minimum
3	Insulation	PTFE	None
4	Gasket	Rubber	None
5	Washer	Brass	Nickel
6	Insulation	POM	None
7	Spring Washer	SK-5	Nickel
8	Washer	Brass	Nickel
9	Braid Clamp	Brass	Nickel 100 µ" Minimum
10	Gasket	Rubber	Red
11	Washer	Brass	Nickel
12	Nut	Brass	Nickel 100 µ" Minimum
13	Centre Contact	Brass	Gold

Tolerance	
.X	±0.2
.XX	±0.1
.XXX	±0.05
Angle	±5°

Part Number Table

Description	Part Number
BNC Straight Plug Crimp	MC23571

Important Notice : This data sheet and its contents (the "Information") belong to the members of the Premier Farnell group of companies (the "Group") or are licensed to it. No licence is granted for the use of it other than for information purposes in connection with the products to which it relates. No licence of any intellectual property rights is granted. The Information is subject to change without notice and replaces all data sheets previously supplied. The Information supplied is believed to be accurate but the Group assumes no responsibility for its accuracy or completeness, any error in or omission from it or for any use made of it. Users of this data sheet should check for themselves the Information and the suitability of the products for their purpose and not make any assumptions based on information included or omitted. Liability for loss or damage resulting from any reliance on the Information or use of it (including liability resulting from negligence or where the Group was aware of the possibility of such loss or damage arising) is excluded. This will not operate to limit or restrict the Group's liability for death or personal injury resulting from its negligence. Multicom is the registered trademark of the Group. © Premier Farnell plc 2012.