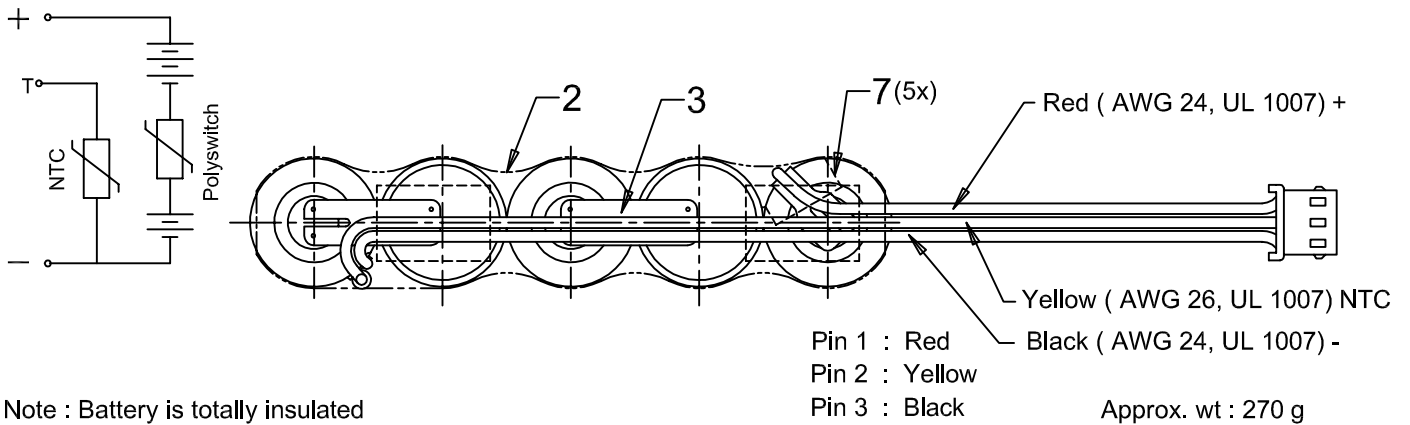
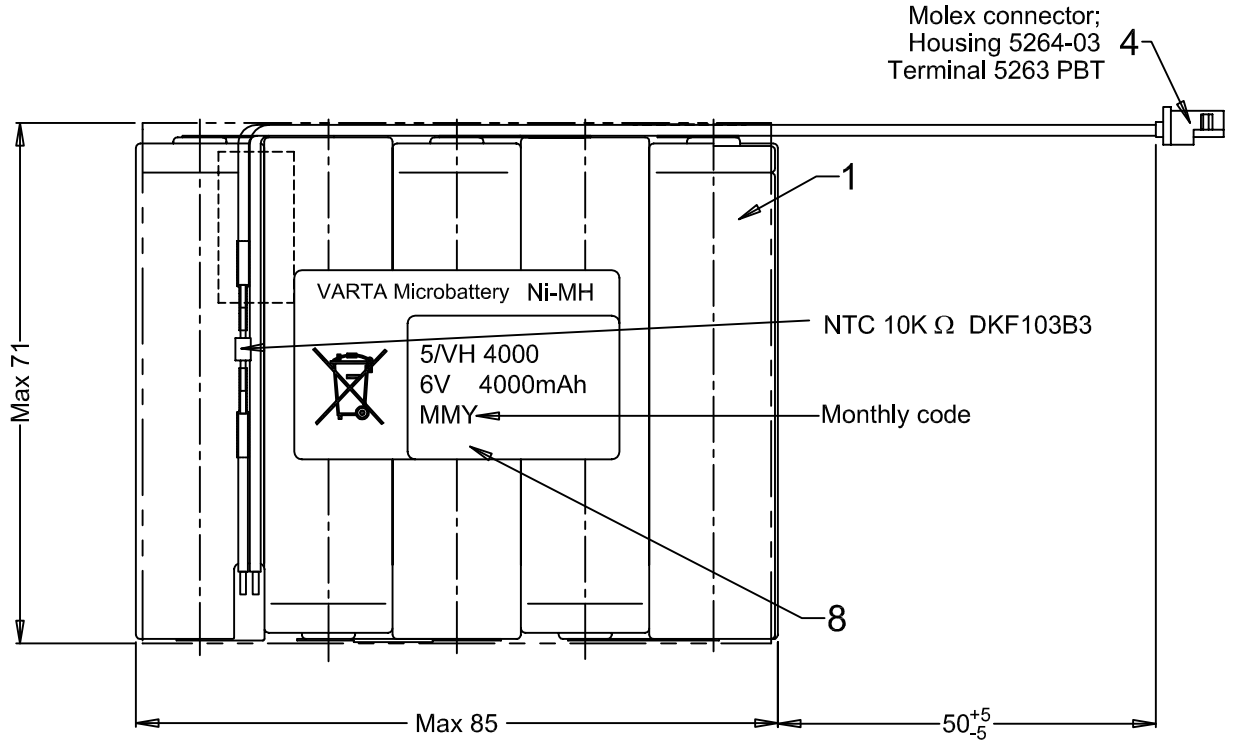
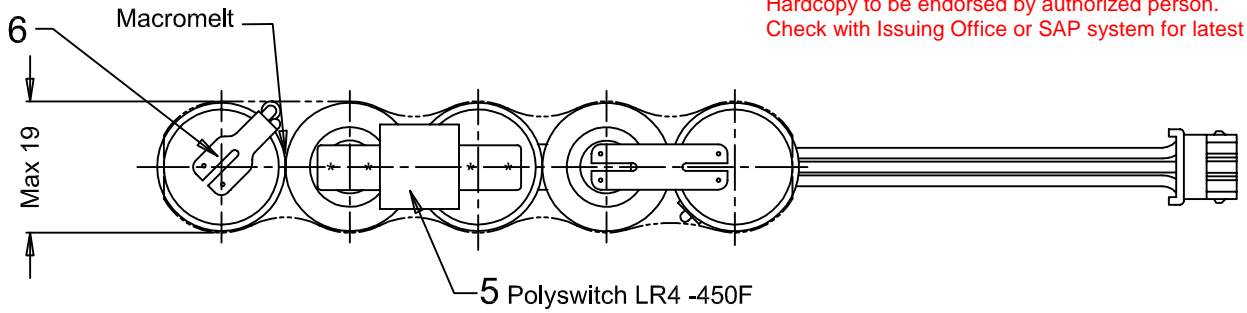


This is a controlled document.  
 Hardcopy to be endorsed by authorized person.  
 Check with Issuing Office or SAP system for latest update.



No	AO No	Revisions	1	Date	Name
1	R567/08	To add crossed-out wheeled bin		2008-12-23	Syamsul
0	T018/07	Refer to provisional drawing P60-00206 Rev.002		2007-04-24	Ben

Projection:		Material: Refer to Part list no: 697505		Description: <b>5/VH 4000 L S WC</b> with Polyswitch & Wires Connector	
Dimensions in mm		Prepared & Checked	Verified & Approved	Dwg. No:	697505
Tolerance: As specified		2007-04-24	Ben	VKB Order No:	55140 405 013
Scale: 1 : 1					4 0 1

Rights reserved to make technical changes, as a result of further development, without notice. This drawing is the property of VARTA Microbattery and must not be copied or disclosed to a third party without the written consent of VARTA Microbattery.

