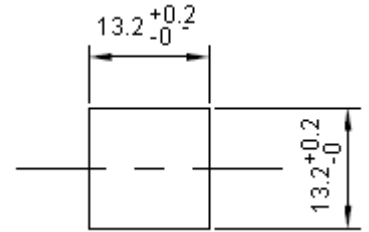
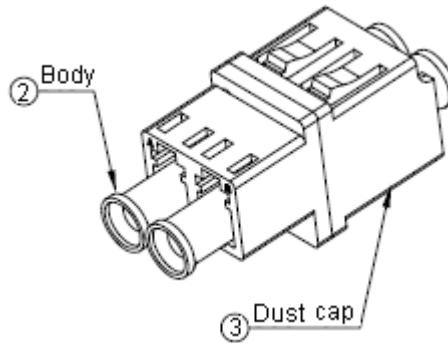
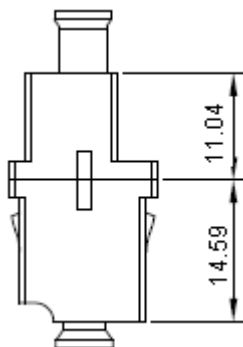
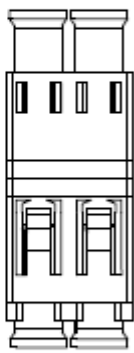
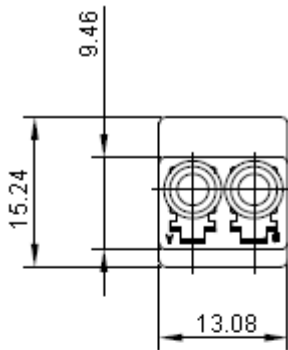


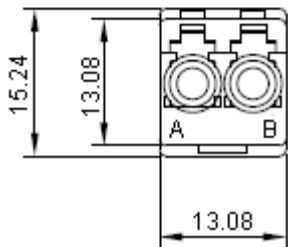
Fiber Optic Adapters



**Recommended
Mounting Hole**
(Panel Thickness is 1.7 mm Max.)

**Unless otherwise specified
dimension tolerances are**

Decimals: Angular: ±0.5
.X ±0.05
.XX ±0.01
.XXX ±0.005



Dimensions : Millimetres

Notes:

- Wavelength : (850 nm, 1,310 nm)
- Insertion Loss : Ceramic <= 0.15 dB, Metal <= 0.2 dB
- Retentions Force : 100 to 300 g
- Durability : 500 mating
- Operating Temperature : -40°C to 80°C
- Flammability Grade : UL94V-0

Specification Table

Sleeve	Body		Dust Cap	Part Number
	Colour	Type		
Metal	Beige	Plastic (Square)	White	SPC22786
Ceramic	Blue	Plastic (Square)	White	SPC22788

Important Notice : This data sheet and its contents (the "Information") belong to the members of the Premier Farnell group of companies (the "Group") or are licensed to it. No licence is granted for the use of it other than for information purposes in connection with the products to which it relates. No licence of any intellectual property rights is granted. The Information is subject to change without notice and replaces all data sheets previously supplied. The Information supplied is believed to be accurate but the Group assumes no responsibility for its accuracy or completeness, any error in or omission from it or for any use made of it. Users of this data sheet should check for themselves the Information and the suitability of the products for their purpose and not make any assumptions based on information included or omitted. Liability for loss or damage resulting from any reliance on the Information or use of it (including liability resulting from negligence or where the Group was aware of the possibility of such loss or damage arising) is excluded. This will not operate to limit or restrict the Group's liability for death or personal injury resulting from its negligence. pro-SIGNAL is the registered trademark of the Group. © Premier Farnell plc 2012.