

Description

The EV1320QI is a DC to DC converter specifically designed for memory termination applications. The device offers high efficiency, up to 96%, while providing a solution footprint similar to that of a linear termination device.

The EV1320QI comes in a 3mm x 3mm x 0.55mm QFN 16-pin package and requires only a small number of external MLCC capacitors. The device is designed to operate directly from the VDDQ supply rail. No external divider or reference is required. The EV1320QI provides a very stable output voltage (VTT) which tracks VDDQ while sinking and sourcing up to 2A of continuous output current. Up to 4 EV1320QI devices can be paralleled to source up to 8A of current. An ENABLE pin with output discharge is available for S3 (suspend to RAM) states.

EV1320QI is specifically designed to meet the precise voltage, fast transient requirements of present and future high-performance, DDR2, DDR3, and low power DDR4 JEDEC VTT requirements. Advanced circuit techniques and high switching frequency deliver high-quality, compact, non-isolated DC-DC conversion.

Features

- High Efficiency, Up to 96%
- 80mm² Total Solution Size
- No External Inductor Required
- JEDEC Compliant DDR2/3/QDR and Low Power DDR 4 Solution
- Enable Pin with Output Discharge to Support S3 (Suspend to RAM) Mode
- Operates Directly from VDDQ
- VOUT (VTT) Voltage Tracks VDDQ/2 ± 40mV
- Source and Sink Up to 2A Continuous Current
- Parallel Up to 4 Devices for 8A VTT Current
- Programmable Soft Start/Soft Shutdown
- Cost Effective Integrated Solution
- Thermal Overload, Over Current, Short Circuit, and Under-Voltage Protection
- RoHS Compliant, MSL level 3, 260C Reflow

Applications

- VTT Bus Termination for DDR2, DDR3, Low Power DDR4, and QDR Memories

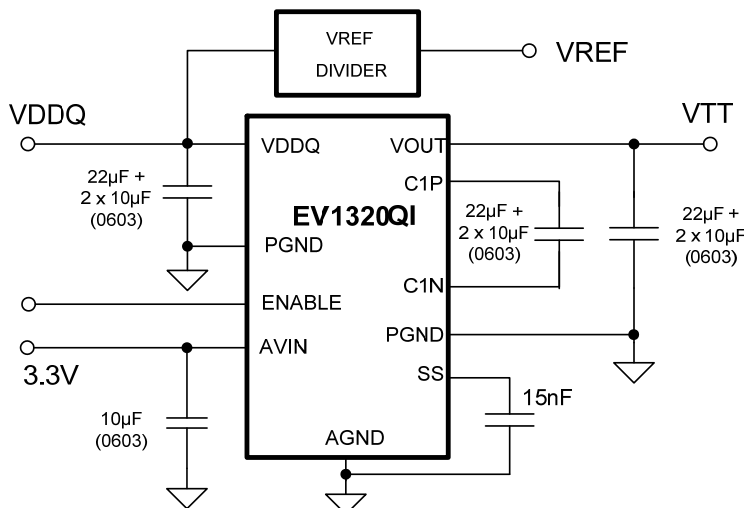


Figure 1. Simplified Applications Circuit

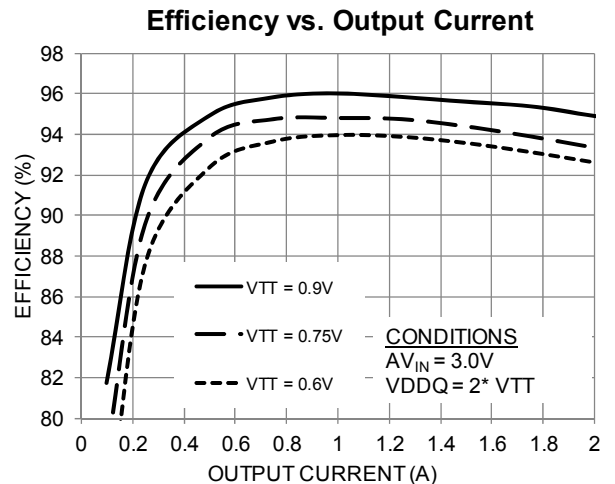


Figure 2. Highest Efficiency in Smallest Solution Size

Ordering Information

Part Number	Package Markings	Temp Rating (°C)	Package Description
EV1320QI	EV1320QI	-40 to +85	16-pin (3mm x 3mm x 0.55mm) QFN T&R
EV1320QI-E	EV1320QI		QFN Evaluation Board

Pin Assignments (Top View)

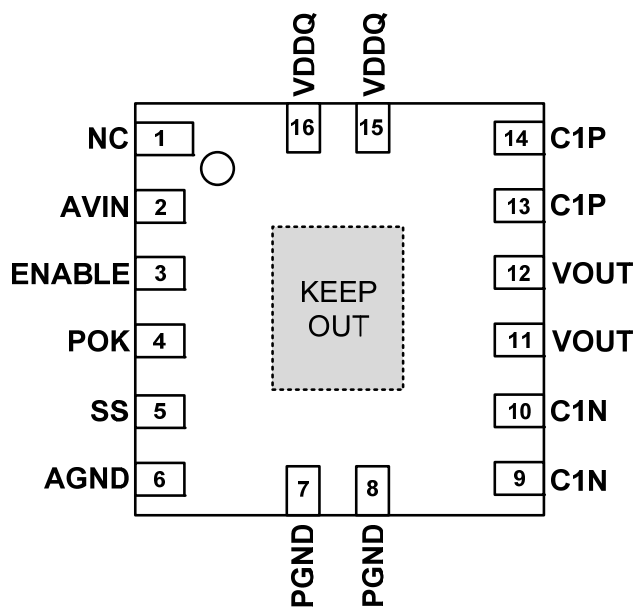


Figure 3: Pin Out Diagram (Top View)

NOTE A: NC pin should not be electrically connected other pins or to any external signal, ground, or voltage. However, it must be soldered to the PCB. Failure to follow this guideline may result in part malfunction or damage.

NOTE B: Shaded area highlights exposed metal below the package that is not to be mechanically or electrically connected to the PCB. Refer to Figure 10 for details.

NOTE C: White 'dot' on top left is pin 1 indicator on top of the device package.

Pin Description

PIN	NAME	FUNCTION
1	NC	NO CONNECT — Do not electrically connect this pin to any other electrical signal. CAUTION: May be internally connected.
2	AVIN	Input Supply for internal controller and protection circuitry
3	ENABLE	Input Enable. Applying a logic high enables the output and initiates a soft-start. Applying a logic low disables and discharges the output. ENABLE is internally tied to AVIN and ground through a 100k resistor divider. Leaving ENABLE floating will result in voltage at half of AVIN.
4	POK	VTT OK flag. This is an open drain output. Leave floating if unused.
5	SS	Soft Start pin. Connect soft start capacitor between this pin and AGND.
6	AGND	Quiet ground for analog circuitry. Connect to the ground plane with a via next to the pin.
7, 8	PGND	Power ground. Connect these pins to the ground electrode of the input and output filter capacitors. See layout recommendations for more details.
9,10	C1N	Place 1 x 22µF and 2 x 10µF X5R 4V MLCC capacitors between C1N and C1P.
11,12	VOUT	VTT voltage = ½ VDDQ.
13,14	C1P	Place 1 x 22µF and 2 x 10µF X5R 4V MLCC capacitors between C1N and C1P.
15,16	VDDQ	VDDQ voltage; VOUT (VTT) tracks this voltage.

Absolute Maximum Ratings

CAUTION: Absolute Maximum ratings are stress ratings only. Functional operation beyond the recommended operating conditions is not implied. Stress beyond the absolute maximum ratings may impair device life. Exposure to absolute maximum rated conditions for extended periods may affect device reliability.

PARAMETER	SYMBOL	MIN	MAX	UNITS
Voltage on AVIN		-0.5	4.0	V
Voltage on C1P, C1N		-0.5	2.0	V
Voltage on AGND, PGND		-0.5	AVIN + 0.3	V
Voltage on VDDQ		-0.5	2.2	V
Voltage on VOUT		-0.5	VDDQ + 0.3	V
Voltage on POK		-0.5	AVIN + 0.3	V
Voltage on SS		-0.5	AVIN + 0.3	V
Voltage on ENABLE		-0.5	AVIN + 0.3	V
Storage Temperature Range	TSTG	-65	150	°C
Maximum Operating Junction Temperature	TJ-ABS Max		150	°C
Reflow Temp, 10 Sec, MSL3 JEDEC J-STD-020A			260	°C
ESD Rating (based on Human Body Model): All pins		2000		V
ESD Rating (based on Charged Device Model)		500		V

Recommended Operating Conditions

PARAMETER	SYMBOL	MIN	MAX	UNITS
Operating Junction Temperature	T _J	-40	+125	°C
Operating Ambient Temperature	T _A	-40	+85	°C

Thermal Characteristics

PARAMETER	SYMBOL	TYP	UNITS
Thermal Resistance: Junction to Ambient (0 LFM) (Note 1)	θ_{JA}	50	°C/W
Thermal Shutdown	T _{SD}	150	°C
Thermal Shutdown Hysteresis	T _{SDH}	25	°C

Note 1: Based on 2oz. external copper layers and proper thermal design in line with EIJ/JEDEC JESD51-7 standard for high thermal conductivity boards.

Electrical Characteristics

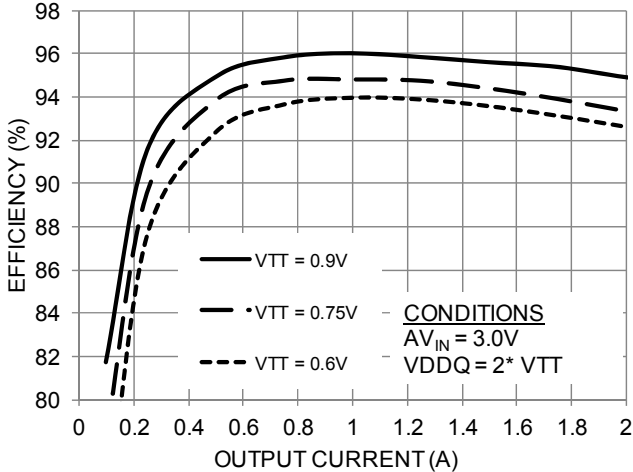
NOTE: AVIN = 3.3V; VDDQ = 1.5V. Minimum and Maximum values are over operating ambient temperature range unless otherwise noted. Typical values are at T_A = 25°C.

PARAMETER	SYMBOL	TEST CONDITIONS	MIN	TYP	MAX	UNITS
VDDQ voltage range	VDDQ		0.95	1.5	1.8	V
AVIN voltage range	AVIN		3.0	3.3	3.465	V
VTT Tracking Accuracy DC (NOTE 2)	ΔV_{TT}	AVIN=3.3V±5% 0A ≤ I _{VTT} ≤ 2A	VDDQ/ 2 -40		VDDQ/ 2 + 40	mV
Under Voltage Lockout; AVIN rising	V _{UVLO}			2.5		V
Under Voltage Lockout; AVIN falling	V _{UVLO}			2.2		V
AVIN Shut-Down Supply Current	I _S	ENABLE=Low			600	μA
VDDQ Shut-Down Supply Current	I _S	ENABLE=Low			200	μA
AVIN No Load Operating Current	I _{AVIN}	AVIN=3.3V		6		mA
VDDQ No Load Operating Current	I _{VDDQ}	AVIN=3.3V		750		μA
Switching Frequency	F _{SW}		500	625	750	kHz
POK Threshold Sourcing Current		V _{OUT} Rising		95		%
POK Threshold Sourcing Current		V _{OUT} Falling		85		%
POK Low Voltage		I _{SINK} = 1mA		0.15	0.4	V
POK Pin V _{OH} Leakage Current		AVIN = 3.3V POK High			25	μA
Output Impedance	R _{OUT}	$\Delta V_{OUT}/\Delta I_{LOAD}$		20		mΩ
Continuous Output Current;	I _{Max_Source}	VDDQ=1.5V AVIN=3.3V	-2		2	A
Over Current Trip Level	I _{OCF}	AVIN=3.3V		±4.5		A
Enable Threshold Logic Low	ENA_VIL	Max voltage to ensure the converter is disabled			0.3	V
Enable Threshold Logic High	ENA_VIH	3.0V ≤ AVIN ≤ 3.46V	AVIN – 0.5		AVIN	V
Enable Input Current				100	200	μA

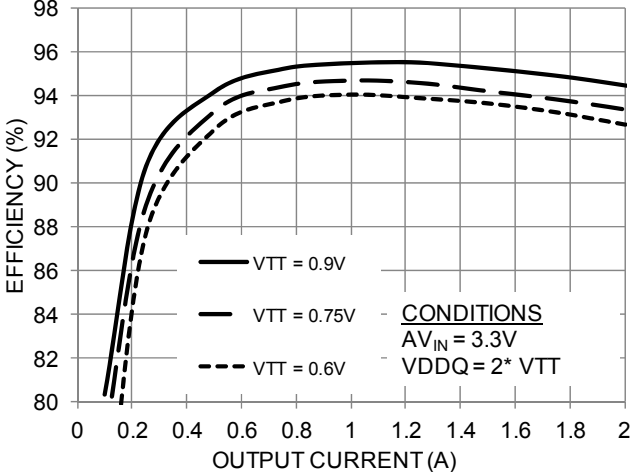
Note 2: The EV1320QI tracking accuracy is better than the JEDEC DDR2 and DDR3 VDDQ tracking specification of: VDDQ*0.49 – 40mV to VDDQ*0.51+40mV.

Typical Performance Curves

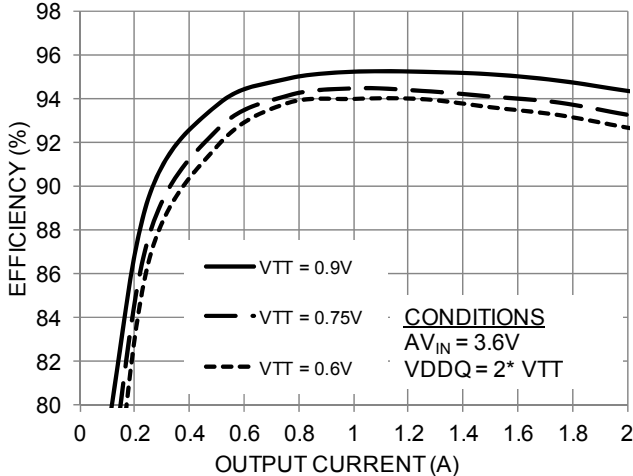
Efficiency vs. Output Current



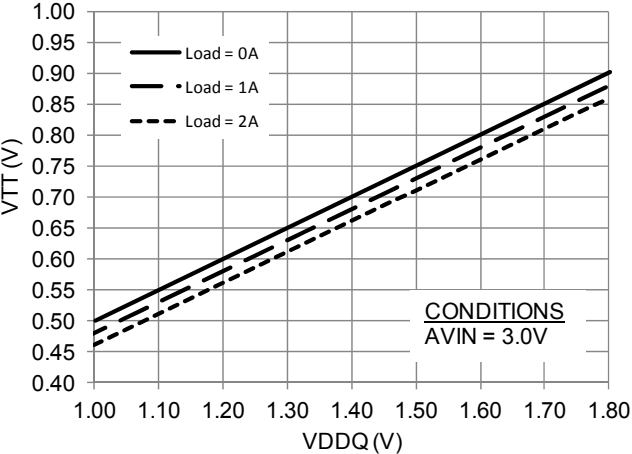
Efficiency vs. Output Current



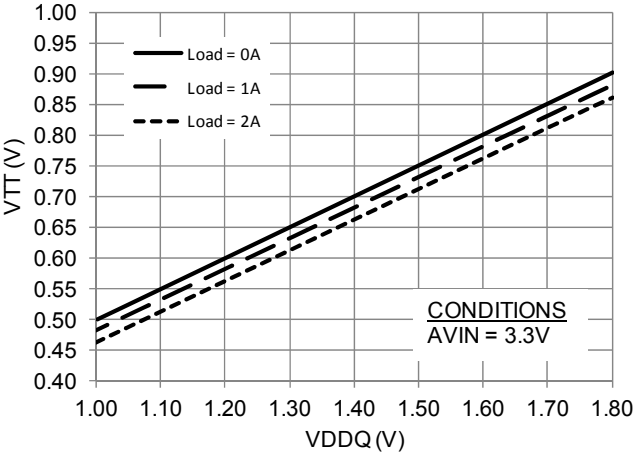
Efficiency vs. Output Current



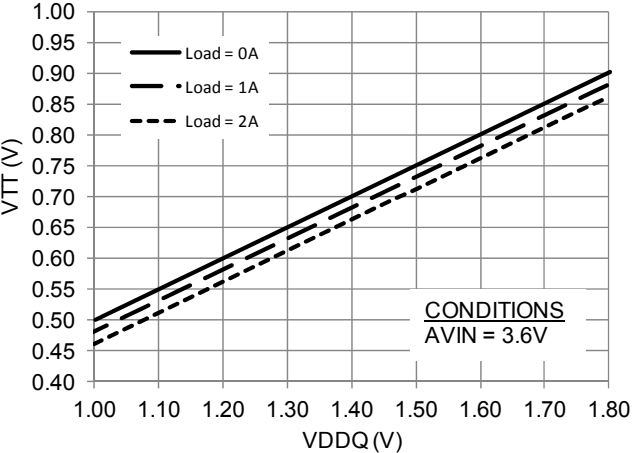
Output Voltage vs. Input Voltage



Output Voltage vs. Input Voltage

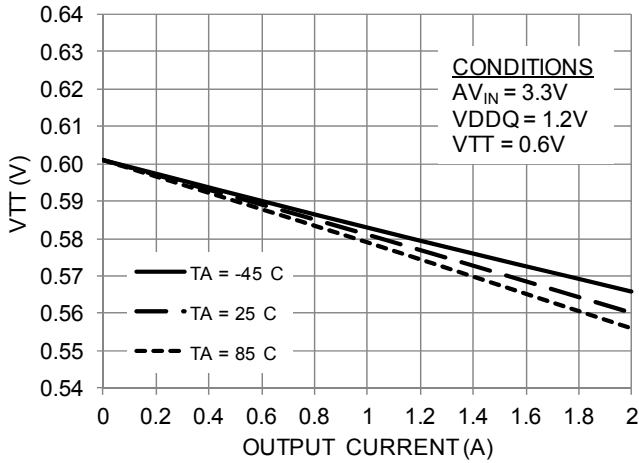


Output Voltage vs. Input Voltage

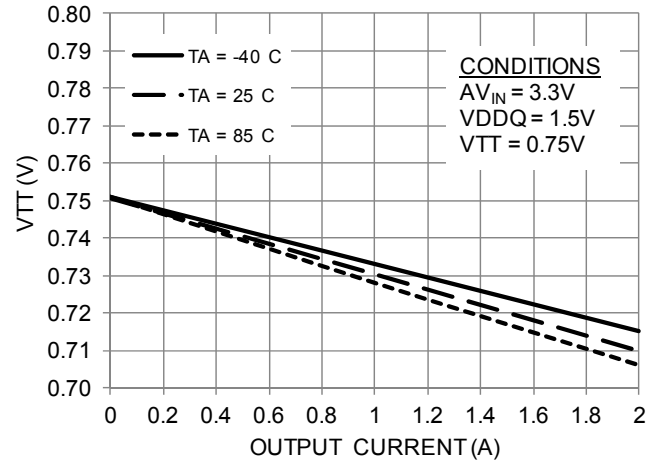


Typical Performance Curves (Continued)

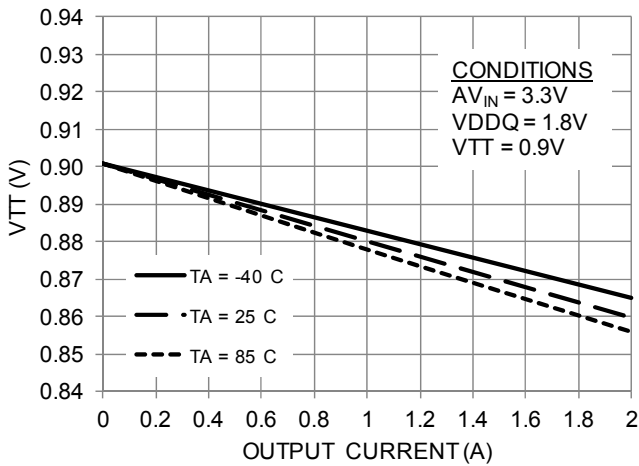
Output Voltage vs. Output Current



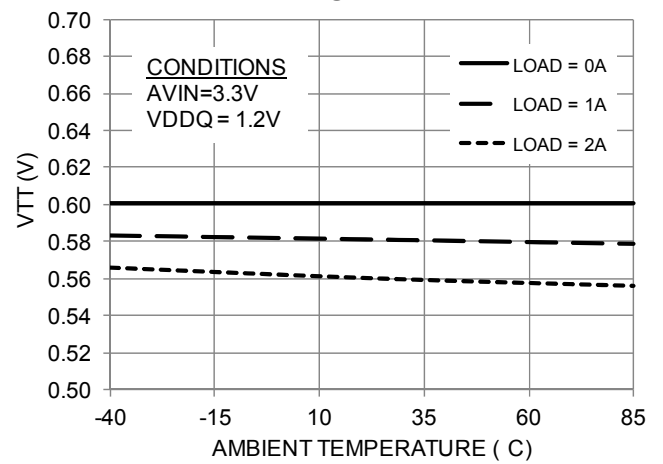
Output Voltage vs. Output Current



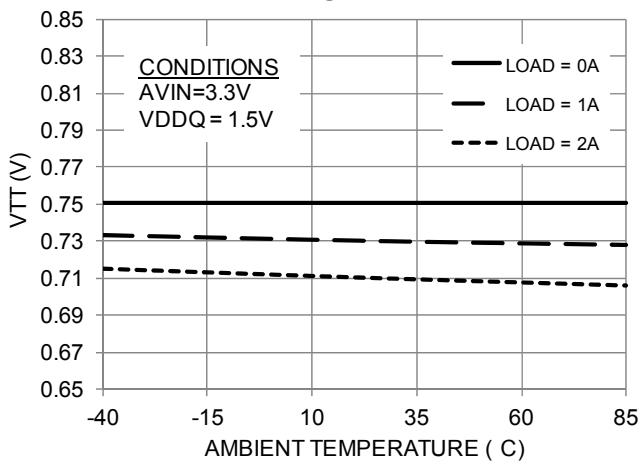
Output Voltage vs. Output Current



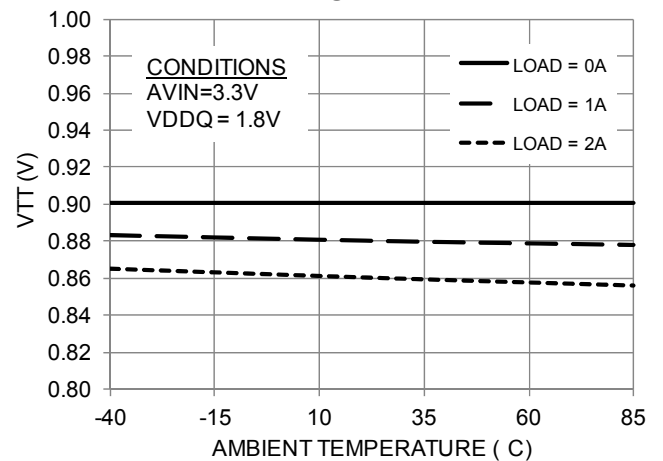
Output Voltage vs. Temperature



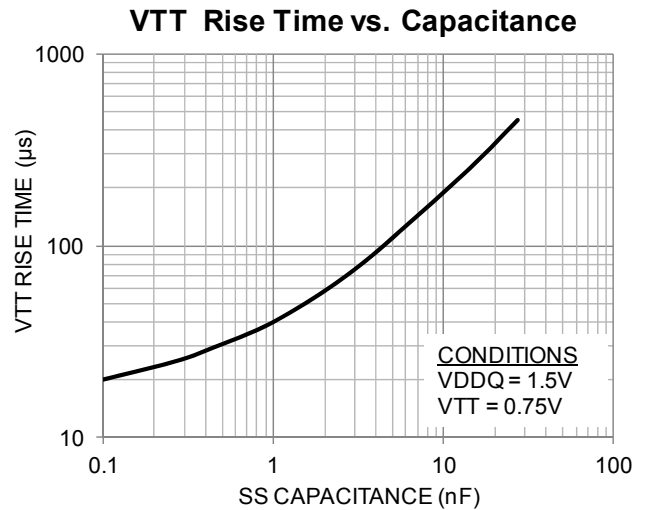
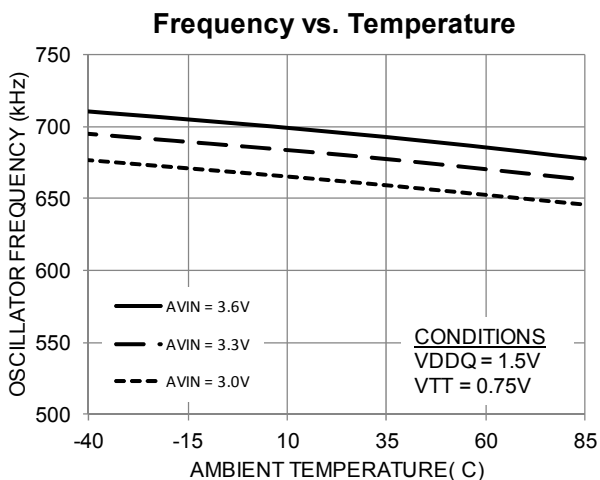
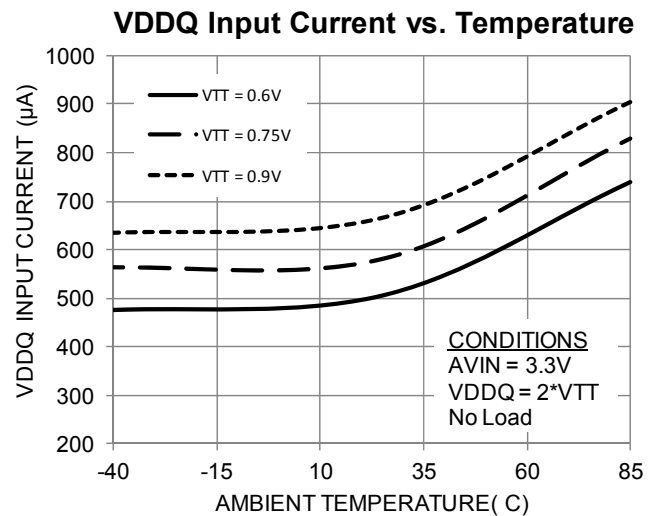
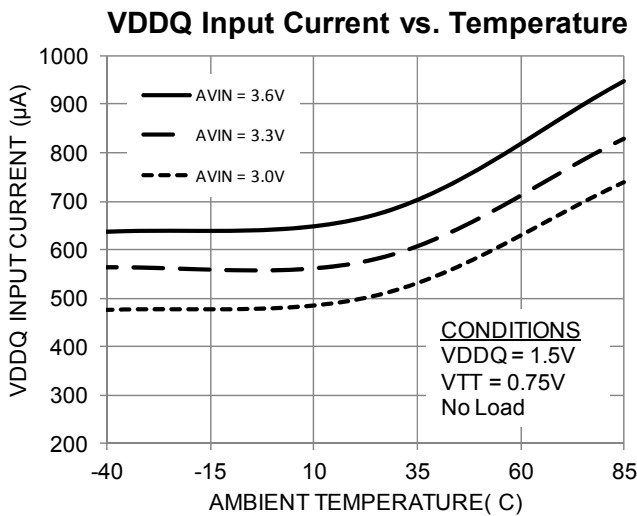
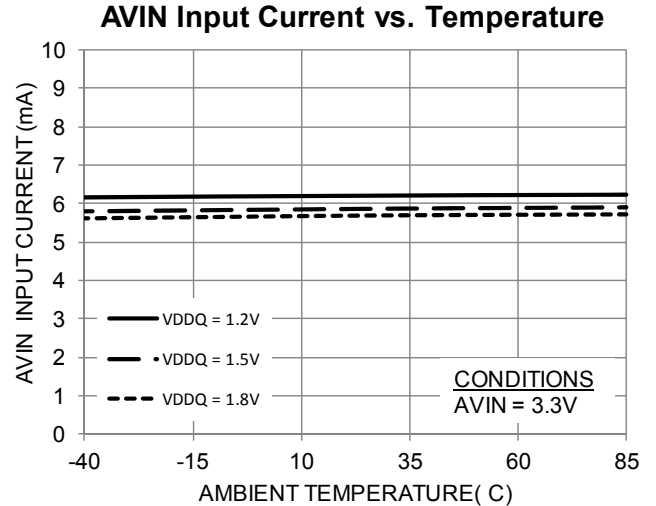
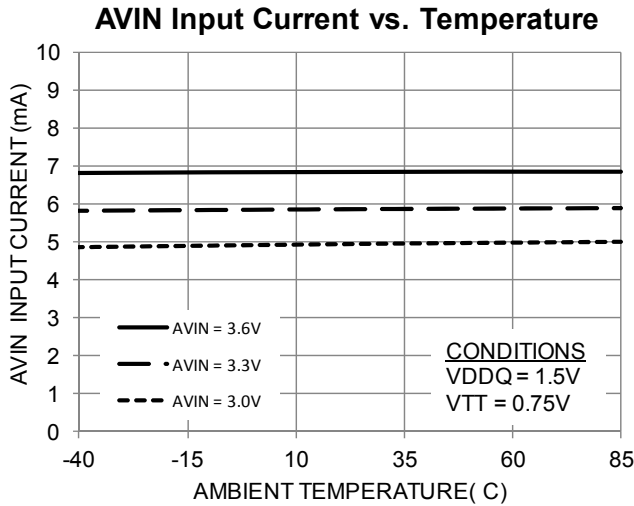
Output Voltage vs. Temperature



Output Voltage vs. Temperature

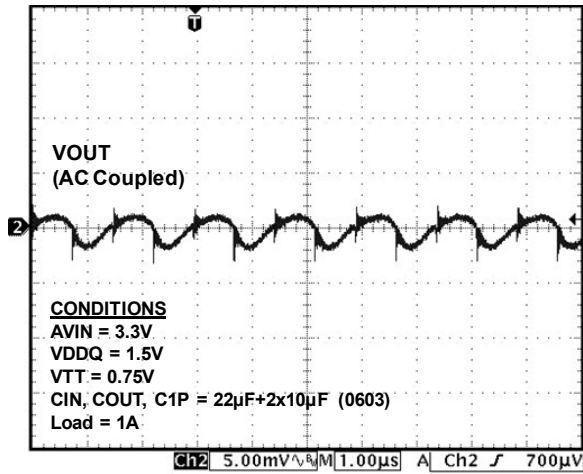


Typical Performance Curves (Continued)

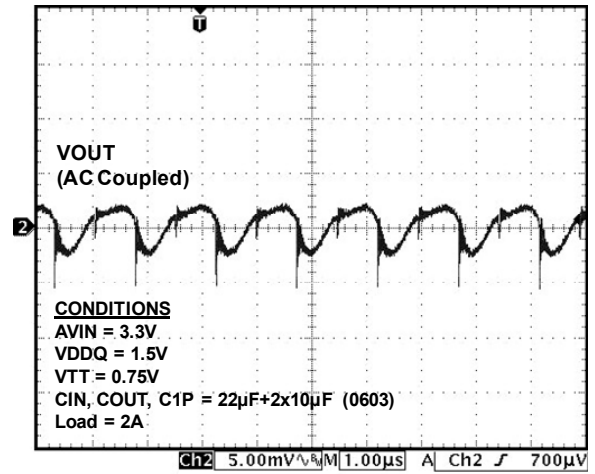


Typical Performance Characteristics

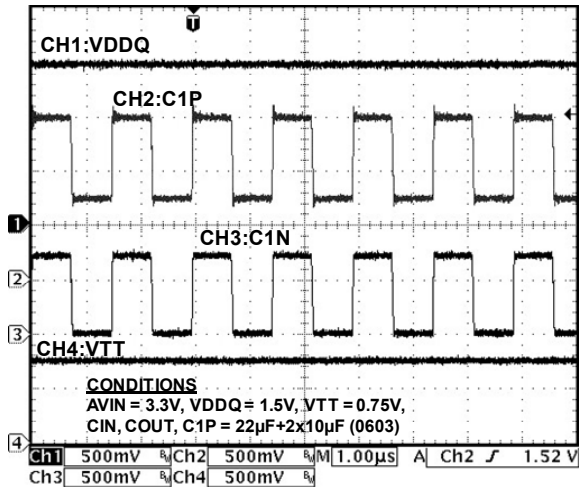
Output Ripple at 1A Load



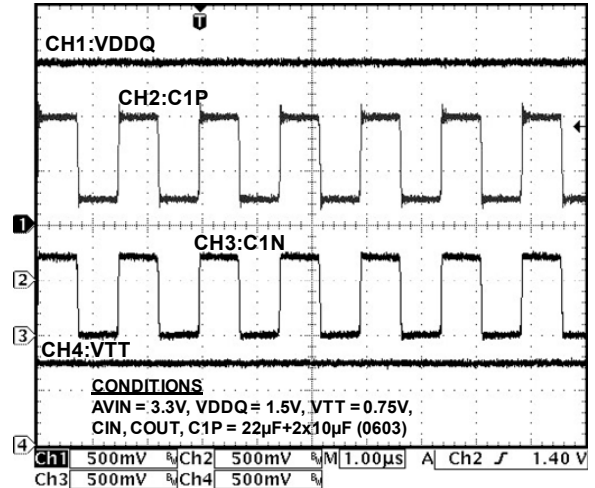
Output Ripple at 2A Load



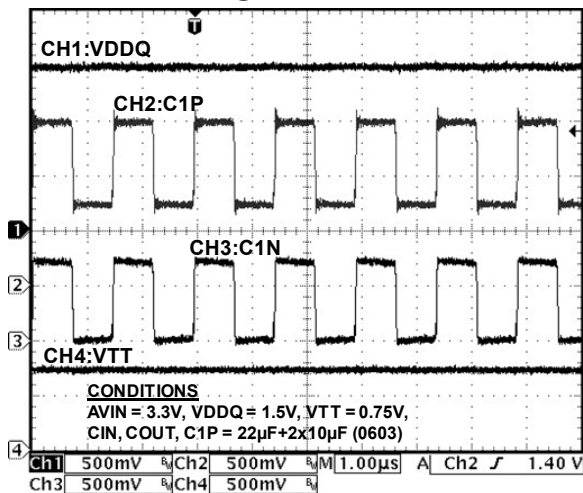
Switching Waveform at No Load



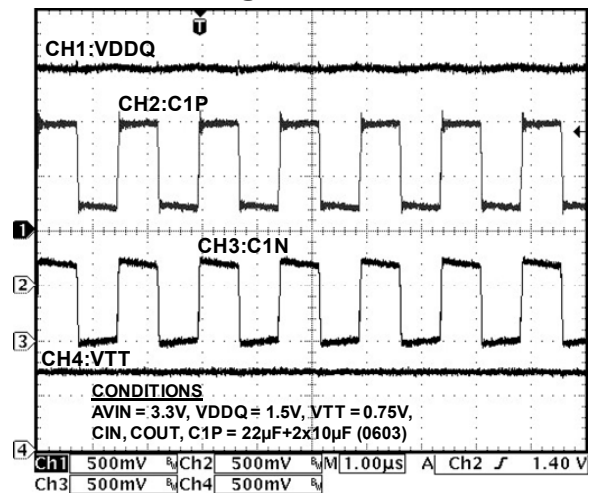
Switching Waveform at 500mA



Switching Waveform at 1A

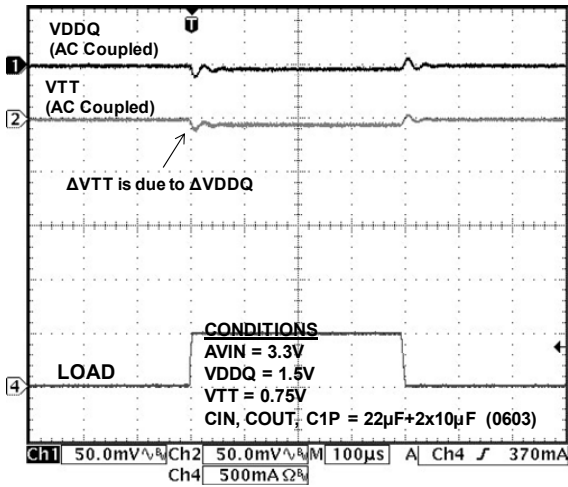


Switching Waveform at 2A

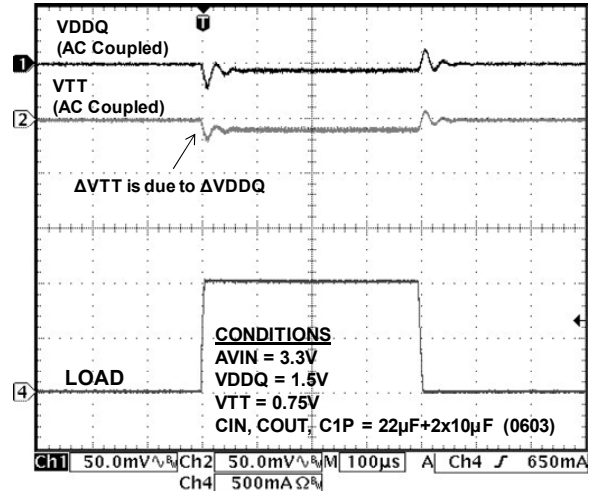


Typical Performance Characteristics (Continued)

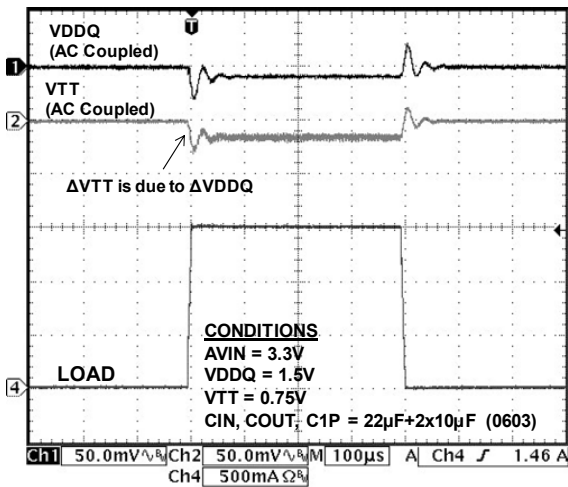
Load Transient from 0 to 500mA



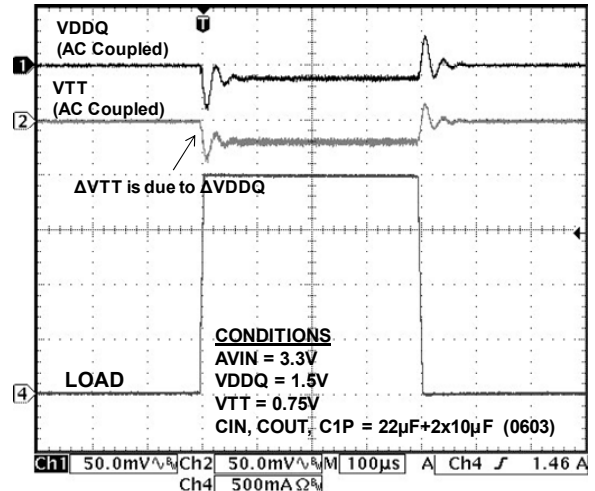
Load Transient from 0 to 1A



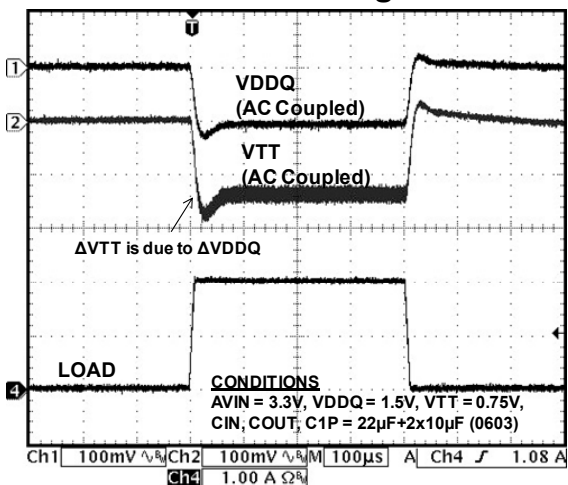
Load Transient from 0 to 1.5A



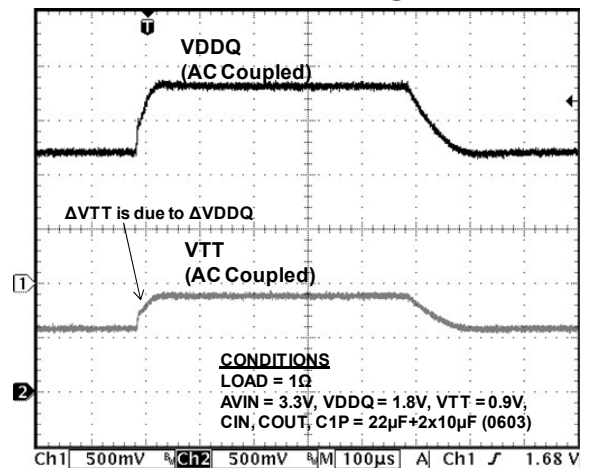
Load Transient from 0 to 2A



VDDQ to VTT Tracking with Load

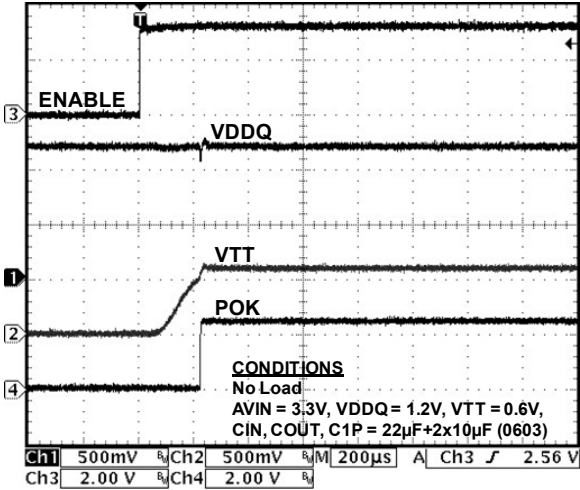


VDDQ to VTT Tracking with Line

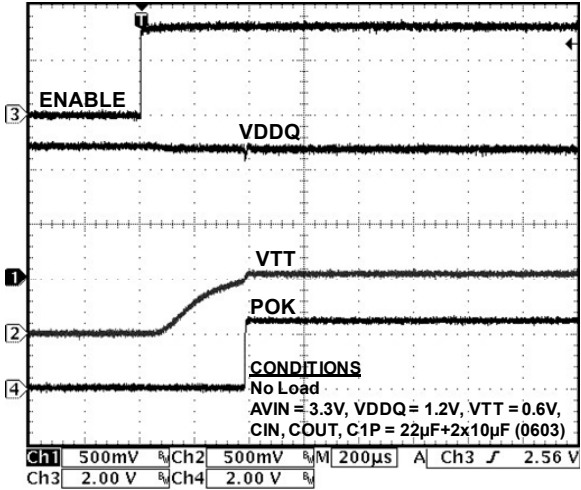


Typical Performance Characteristics (Continued)

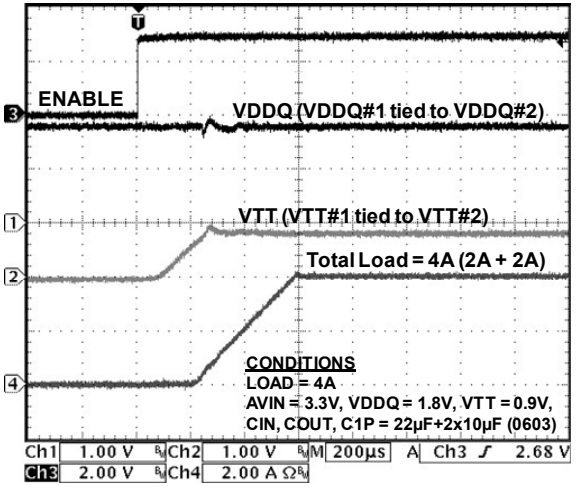
Startup with POK at No Load



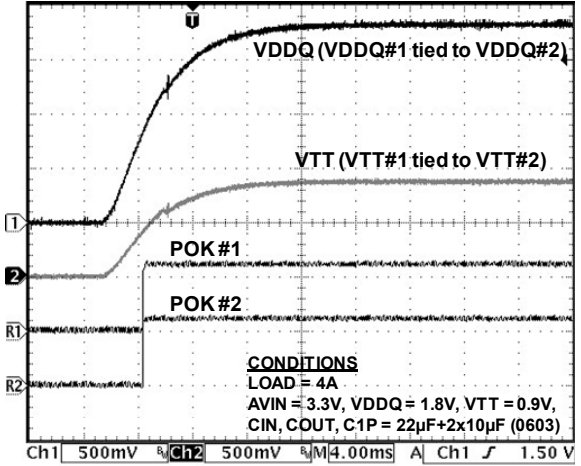
Startup with POK at 2A



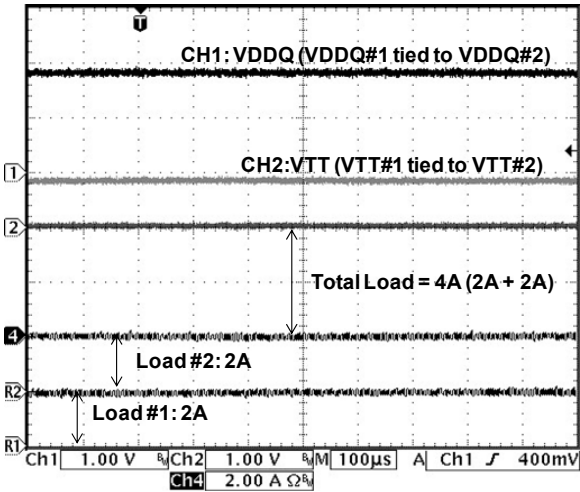
Parallel Operation Startup at 4A



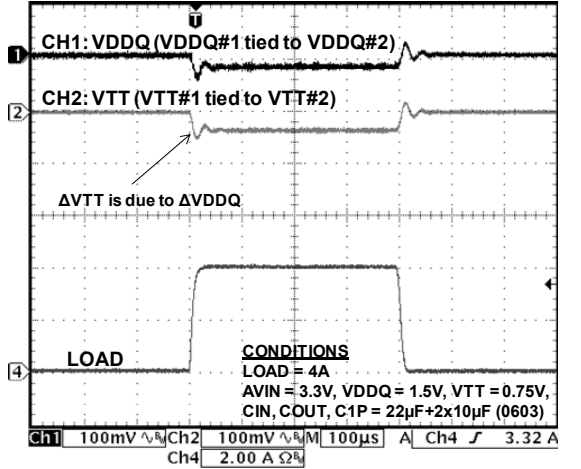
Parallel VDDQ Startup with POK



Parallel Operation at 4A



Parallel Operation Load Transient



Functional Block Diagram

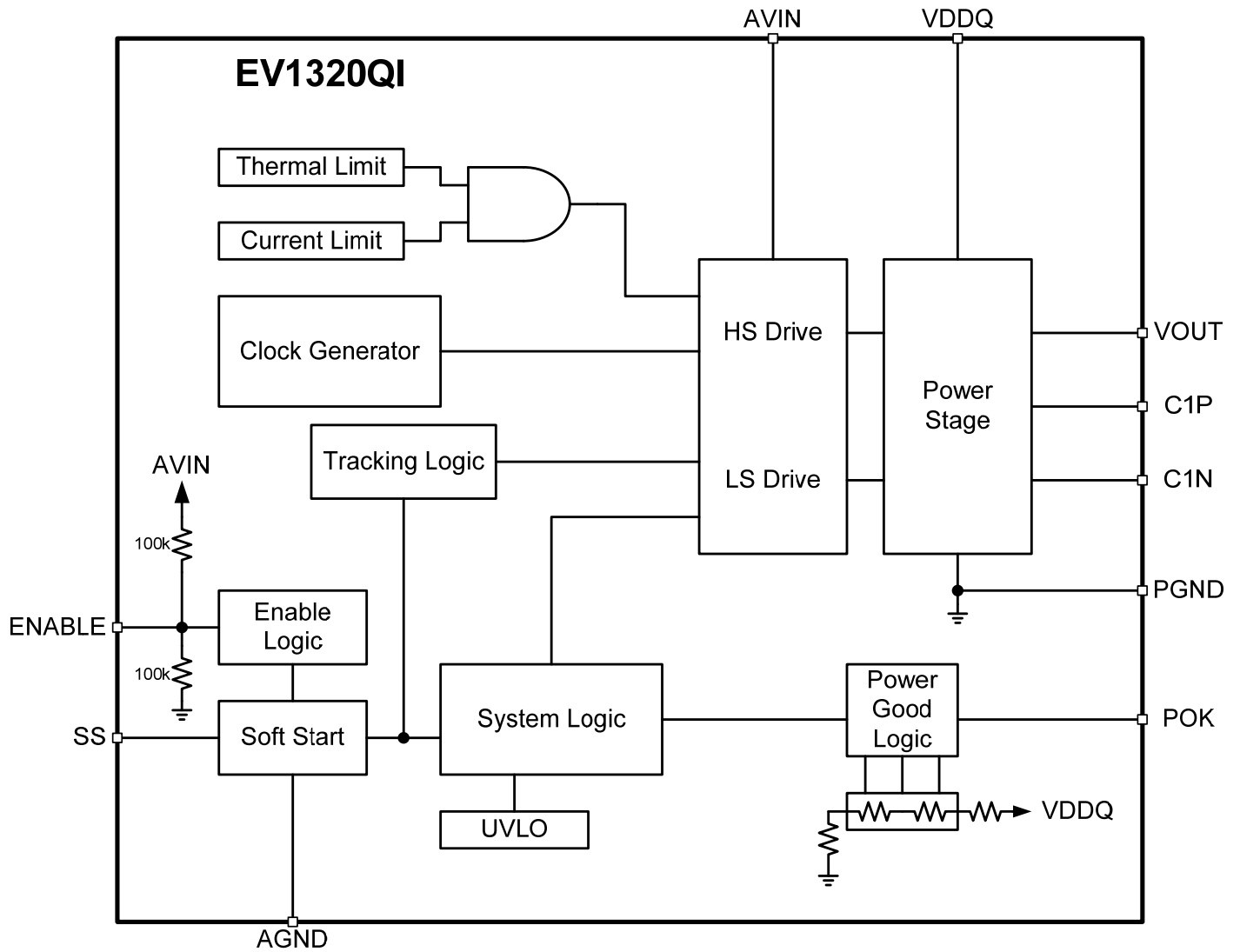


Figure 4: Functional Block Diagram

Functional Description

VDDQ/VTT Converter

The EV1320QI is designed to replace low efficiency linear regulators as well as expensive switch-mode DCDC memory terminations. The patented EV1320QI architecture provides efficiencies up to 96% with a solution footprint similar to that of a linear regulator.

VOUT (VTT) tracks $\frac{1}{2}VDDQ$ with $\pm 40\text{mV}$ accuracy and is compliant with DDR2/3/QDR and low power DDR4 JEDEC memory termination requirements. The EV1320QI tracks VDDQ directly so there is no need for a separate reference voltage or resistor divider network.

If a VREF signal is needed for the VTT termination, it can be generated by an external VREF divider circuit from VDDQ, as shown in Figure 5. The R_{VREF} resistors divide the VDDQ voltage by 2 and can be used as the VREF signal. Choose high accuracy resistors for R_{VREF} . If more current is needed for VREF, the divider signal may be buffered by a voltage follower as shown in Figure 5. Be sure the R_{VREF} resistor values are negligible compared to the input impedance of the voltage follower to ensure VREF voltage accuracy.

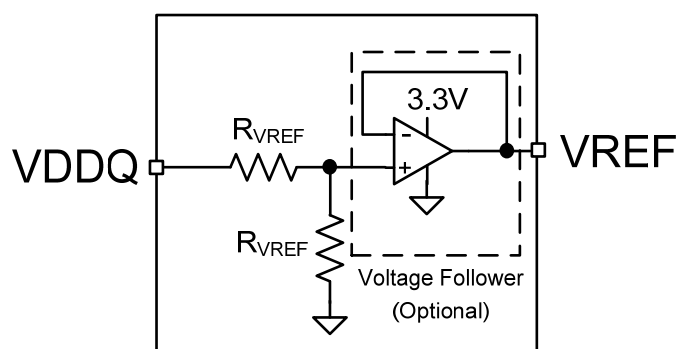


Figure 5. VREF Divider External Circuit

Soft-Start Operation

The EV1320QI has a programmable soft start. The EV1320 can operate with AVIN on, ENABLE high, and VDDQ ramped up and down. If, however, VDDQ comes up first, and then the device is enabled, the soft-start capacitor limits the rise of the output (VTT). The output (VTT) ramp rate is determined by the value of the soft start (SS) capacitor, as shown in Table 1.

Table 1. Soft-Start Capacitance and Time Table

SS Capacitance (nF)	VTT Rise Time (μs)
27	450
15	265
6.8	140
2.7	70
1	40
0.47	30
0.27	25
0.1	20

NOTE: If a fault condition occurs during normal operation the output is discharged through a 100Ω resistor for a period of 1.5mS and then a soft start cycle is initiated.

Enable Operation

The ENABLE pin provides a means to enable or disable operation of the part. When enable is pulled high the device will go through a soft start sequence. When enable is pulled low such as if the memory device enters S3 (suspend to RAM), the output will be discharged through a 100Ω resistor. Please note that if the equivalent load resistance is lower than 100Ω , the output will discharge faster. The ENABLE pin should not be left floating.

Power OK (POK)

The EV1320QI provides an open drain output to indicate if the output voltage stays within nominally $\pm 10\%$ of $VDDQ/2$. Within this range, the POK output is allowed to be pulled high. Outside this range, POK remains low. However, during transitions such as enable/disable and fault restart the POK output will not change state until the transition is complete for enhanced noise immunity.

The POK has 1mA sink capability for events where it needs to feed a device with standard CMOS inputs. When POK is pulled high, the pin leakage current is as low as $20\mu\text{A}$ maximum over temperature. This allows a large pull up resistor such as $100\text{k}\Omega$ to be used for minimal current consumption in shutdown mode.

Over-Current Protection

The overload function is achieved by sensing the output voltage. An overload state is entered when the device is out of soft start and the output voltage drops below ~85% of $V_{DDQ}/2$. When an OCP condition is detected, the device is disabled, the output is discharged through a 100 resistor for a period of 1.5mS. After the 1.5mS discharge time has expired, a soft start is initiated as described in the soft start section. If an over current condition is again detected the device will repeat the discharge/soft start cycle in a hiccup manner as long as the over current condition persists.

Thermal Overload Protection

Thermal shutdown will disable operation when the Junction temperature exceeds approximately 150°C. Output will discharge through a 100 ohm resistor for 1.5mS. If the thermal fault condition is still present then the device will hiccup until temp falls by 25°C. Once the junction temperature drops by approximately 25°C, the converter will re-start with a normal soft-start.

Input Under-Voltage Lock-out

Internal circuits ensure that the converter will not start switching until the AVIN voltage is above the specified minimum voltage.

Application Information

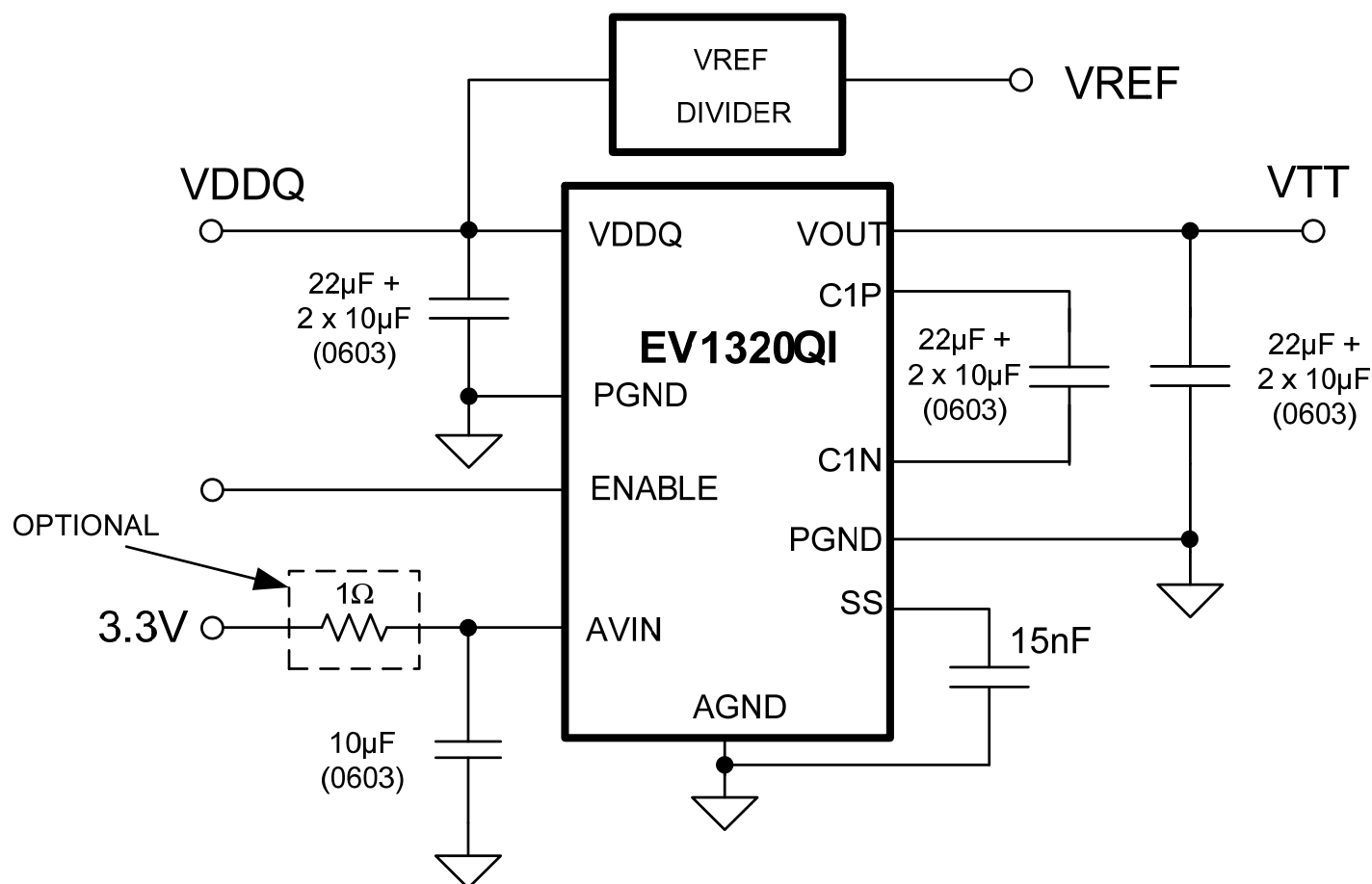


Figure 6. General Application Circuit

General Application Circuit

Figure 6 shows a typical application circuit for the EV1320QI. The resistor before the AVIN capacitor is optional, but recommended if AVIN supply is noisy.

NOTE: The output filter capacitor section assumes that there is additional decoupling on the VTT island(s) of approximately 100µF per amp of VTT current. If this VTT decoupling is not present, additional bulk capacitance will be required on the EV1320QI output.

Soft-Start ramp rate is set by choice of the soft start capacitor (C_{SS}) as described in the soft start section.

Power Up Sequence

During power up, neither ENABLE nor VDDQ should be asserted before AVIN. There are two common acceptable turn-on/off sequences for the device. ENABLE can be tied to AVIN and come up with it, and VDDQ can be ramped up and down as needed. In this case, the output will attempt to track VDDQ. Alternatively, VDDQ can be brought high after AVIN is asserted, and the device can be turned on and off by toggling the ENABLE pin. In this case, the output will ramp up as determined by the soft-start capacitor, and it will turn off as described in “Enable Operation” section.

Input Capacitors

A 22 μ F 4V X5R MLCC and two 10 μ F 4V X5R MLCC capacitors are required at the VDDQ input. The 22 μ F capacitor must be placed at the position closest to the VDDQ pins of the EV1320QI. Either 0603 or 0805 case size is acceptable. The capacitors should be connected between VDDQ pin and the PGND pin. Do not connect the capacitors to the AGND terminal. Do not use Y5V or equivalent dielectric capacitors. These capacitors loose substantial capacitance with bias, frequency, and temperature and are thus not appropriate for use in DCDC converter applications. Refer to the “Layout Recommendation” section for guidance on placement and PCB routing.

Output Capacitors

A 22 μ F 4V X5R MLCC and two 10 μ F 4V X5R MLCC capacitors are required at the output. The 22 μ F capacitor must be placed at the position closest to the VOUT pins of the EV1320QI. Either 0603 or 0805 case size is acceptable. The capacitors should be connected between VOUT pin and the PGND pin. Do not connect the capacitors to the AGND terminal. Do not use Y5V or equivalent dielectric capacitors. These capacitors loose substantial capacitance with bias, frequency, and temperature and are thus not appropriate for use in DCDC converter applications.

This capacitor recommendation assumes that there is additional bulk and decoupling capacitance at VTT DIMM leads and the VTT islands. Ensure that there is at least 100 μ F of bulk capacitance per amp of VTT current. If there is not sufficient bulk capacitance, add additional bulk capacitance to the output of the EV1320QI. Refer to the “Layout Recommendation” section for guidance on placement and PCB routing.

C1N and C1P Capacitors

A 22 μ F 4V X5R MLCC and two 10 μ F 4V X5R MLCC capacitors must be connected between the C1N and C1P pins. The 22 μ F capacitor must be placed in the position closest to the C1N and C1P pins. The C1N and C1P pads should not be connected to any other plane or trace. Capacitor case size of 0805 or 0603 is acceptable. Do not use Y5V or equivalent dielectric capacitors. These capacitors loose substantial capacitance with bias, frequency, and temperature and are thus not appropriate for use in DCDC converter applications. Refer to the “Layout Recommendation” section for guidance on placement and PCB routing.

Parallel Operation

The architecture of the EV1320QI lends itself to seem-less parallel operation. Up to 4 devices can be paralleled to achieve a VTT current of up to 8A.

Figure 7 shows an example circuit diagram for parallel operation of three EV1320QIs. The following guidelines must be followed for proper parallel operation.

1. The VDDQ inputs should be connected to a common VDDQ bus.
2. The VOUT connections should be connected to a common VTT bus.
3. Each EV1320QI device must have its own input and output capacitors connected close to the device as described in the input and output capacitor sections. The input and output capacitors should be connected to the local PGND pins on the respective EV1320QI devices.
4. The C1N-C1P capacitors should only be connected to their respective EV1320QI devices. They should not be connected to any common bus, VIN, VOUT, or any other signal or plane.
5. All AVIN connections should be tied to a common 3.3V supply rail. Each EV1320QI should have its own AVIN filter resistor and capacitor if required.
6. All ENABLE pins should be tied to a common enable signal.
7. All soft start pins should be tied together and a single soft start capacitor should be used. Each device should NOT have its own soft start capacitor.
8. All Analog ground (AGND) connections should be tied together. The single soft start capacitor should be connected to this common AGND.
9. All Power ground (PGND) connections should be tied together through a common PGND plane. However, each input and output capacitor compliment should be connected to the local PGND pins on each individual EV1320QI device.
10. The devices should be placed such that the impedance in each path to the load is equivalent to ensure current balance.

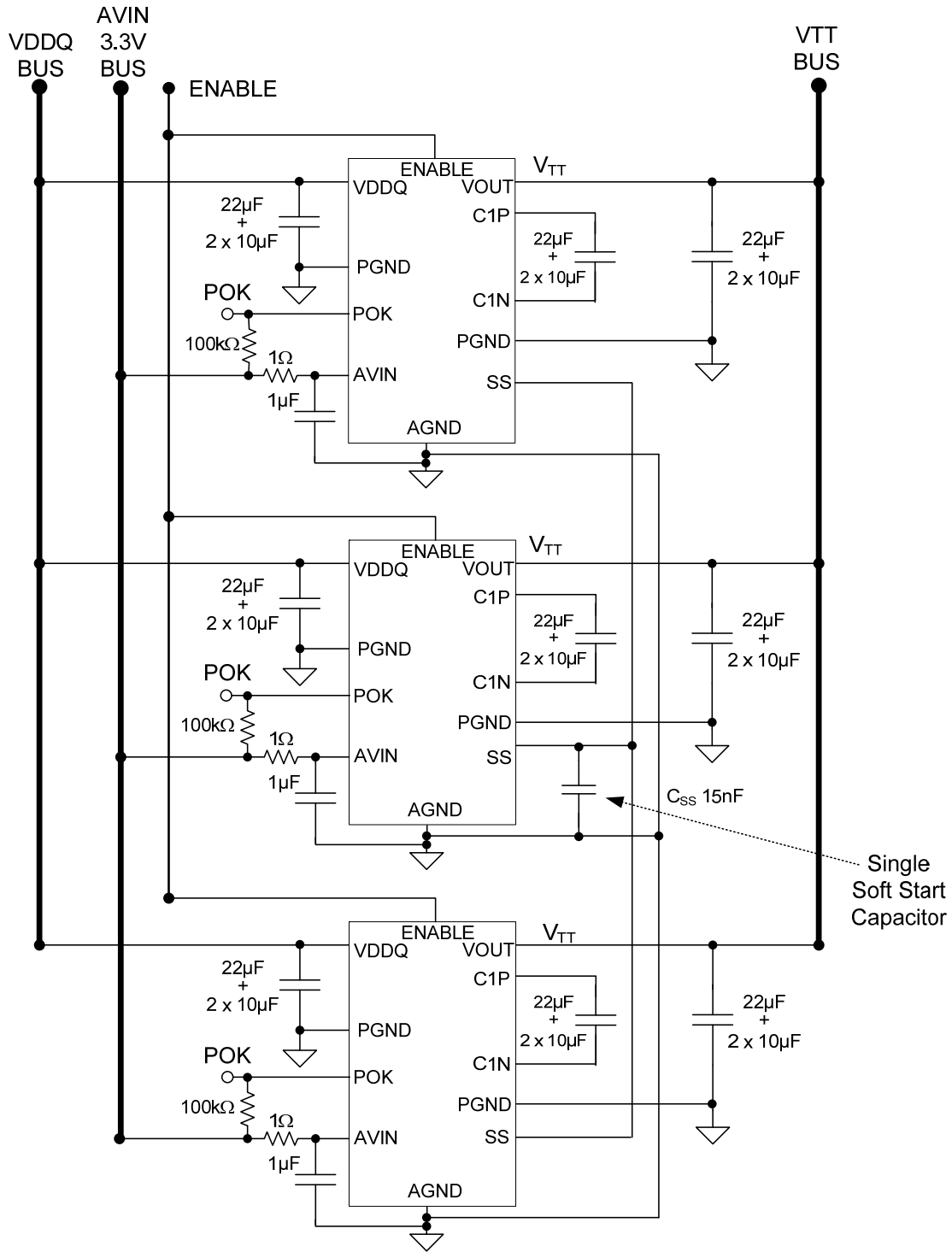


Figure 7. Parallel Operation with Three EV1320QI

Technical Support

Contact Enpirion Applications for additional support regarding the use of this product (techsupport@enpirion.com).

Thermal Considerations

Thermal considerations are important physical limitations that cannot be avoided in the real world. Whenever there are power losses in a system, the heat that is generated by the power dissipation needs to be accounted for.

The Enpirion EV1320QI VDDQ/VTT Converter is packaged in a 3x3x0.55mm 16-pin QFN package. The recommended maximum junction temperature for continuous operation is 125°C. Continuous operation above 125°C may reduce long-term reliability. The device has a thermal overload protection circuit designed to turn off the device at an approximate junction temperature value of 150°C.

The EV1320QI is guaranteed to support the full 2A output current up to 85°C ambient temperature. The following example and calculations illustrate the thermal performance of the EV1320QI.

Example:

$$V_{DDQ} = 1.2V$$

$$V_{TT} = 0.6V$$

$$I_{OUT} = 2A$$

First calculate the output power.

$$P_{OUT} = V_{TT} \times I_{OUT} = 0.6V \times 2A = 1.2W$$

Next, determine the input power based on the efficiency (η) shown in Figure 8.

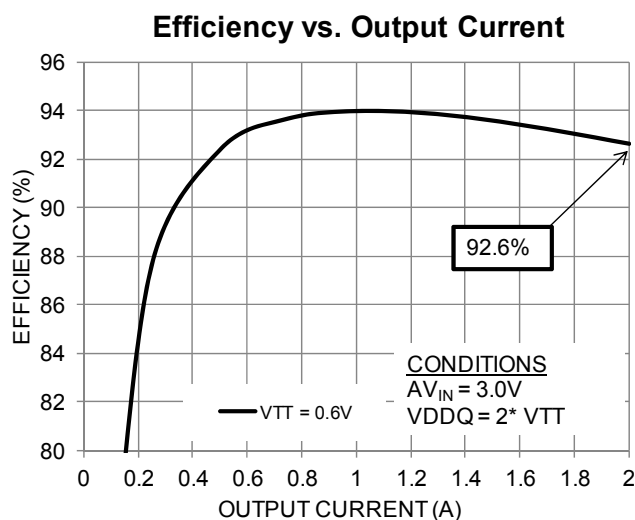


Figure 8: Efficiency vs. Output Current

For $V_{DDQ} = 1.2V$, $V_{TT} = 0.6V$ at 2A, $\eta \approx 92.6\%$

$$\eta = P_{OUT} / P_{IN} = 92.6\% = 0.926$$

$$P_{IN} = P_{OUT} / \eta$$

$$P_{IN} \approx 1.2W / 0.926 \approx 1.2959W$$

The power dissipation (P_D) is the power loss in the system and can be calculated by subtracting the output power from the input power.

$$P_D = P_{IN} - P_{OUT}$$

$$\approx 1.2959W - 1.2W \approx 0.0959W$$

With the power dissipation known, the temperature rise in the device may be estimated based on the theta JA value (θ_{JA}). The θ_{JA} parameter estimates how much the temperature will rise in the device for every watt of power dissipation. The EV1320QI has a θ_{JA} value of 50 °C/W without airflow.

Determine the change in temperature (ΔT) based on P_D and θ_{JA} .

$$\Delta T = P_D \times \theta_{JA}$$

$$\Delta T \approx 0.0959W \times 50^\circ C/W = 4.795^\circ C \approx 4.8^\circ C$$

The junction temperature (T_J) of the device is approximately the ambient temperature (T_A) plus the change in temperature. We assume the initial ambient temperature to be 25°C.

$$T_J = T_A + \Delta T$$

$$T_J \approx 25^\circ C + 4.8^\circ C \approx 29.8^\circ C$$

With 0.0959W dissipated into the device, the T_J will be 29.8°C.

The maximum operating junction temperature (T_{JMAX}) of the device is 125°C, so the device can operate at a higher ambient temperature. The maximum ambient temperature (T_{AMAX}) allowed can be calculated.

$$T_{AMAX} = T_{JMAX} - P_D \times \theta_{JA}$$

$$\approx 125^\circ C - 4.8^\circ C \approx 120.2^\circ C$$

The ambient temperature can actually rise by another 95.2°C, bringing it to 120.2°C before the device will reach T_{JMAX} . This indicates that the EV1320QI can support the full 2A output current range up to approximately 120.2°C ambient temperature given the input and output voltage conditions. This allows the EV1320QI to guarantee full 2A output current capability at 85°C with room for margin. Note that the efficiency will be slightly lower at higher temperatures and these calculations are estimates.

Layout Recommendation

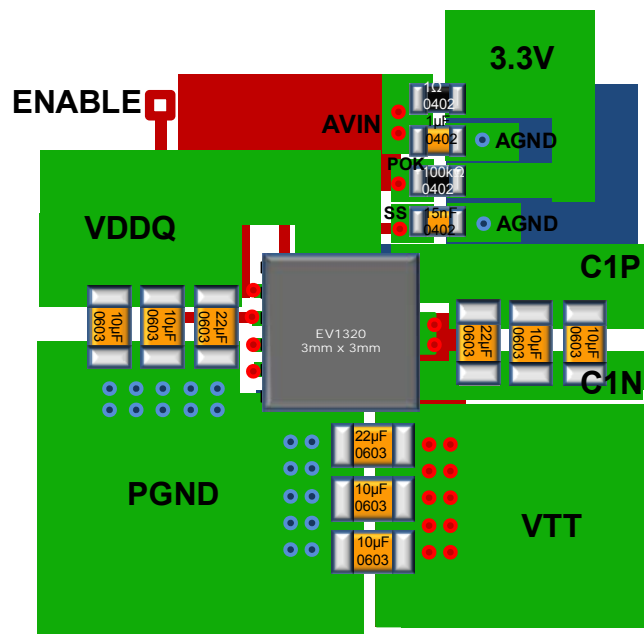


Figure 9: Typical Layout Recommendation (Top View)

Recommendation 1: Input and output filter capacitors should be placed on the same side of the PCB, and as close to the EV1320QI package as possible. They should be connected to the device with very short and wide traces. Do not use thermal reliefs or spokes when connecting the capacitor pads to the respective nodes. The +V and

GND traces between the capacitors and the EV1320QI should be as close to each other as possible so that the gap between the two nodes is minimized, even under the capacitors.

Recommendation 2: The C1N-C1P capacitors should be placed as close to the C1N-C1P pins as possible. Use large copper planes to minimize resistance.

Recommendation 3: The system ground plane should be the first layer immediately below the surface layer. This ground plane should be continuous and un-interrupted below the converter and the input/output capacitors.

Recommendation 4: AVIN is the power supply for the internal control circuits. It should be connected to the 3.3V bus at a quiet point. An input filter for AVIN (10µF with and optional 1Ω resistor) is recommended.

Recommendation 5: Follow all the layout recommendations as close as possible to optimize performance. Enpirion provides schematic and layout reviews for all customer designs. Please contact local Sales Representatives for references to Enpirion Applications Engineering support.

Package and Mechanical

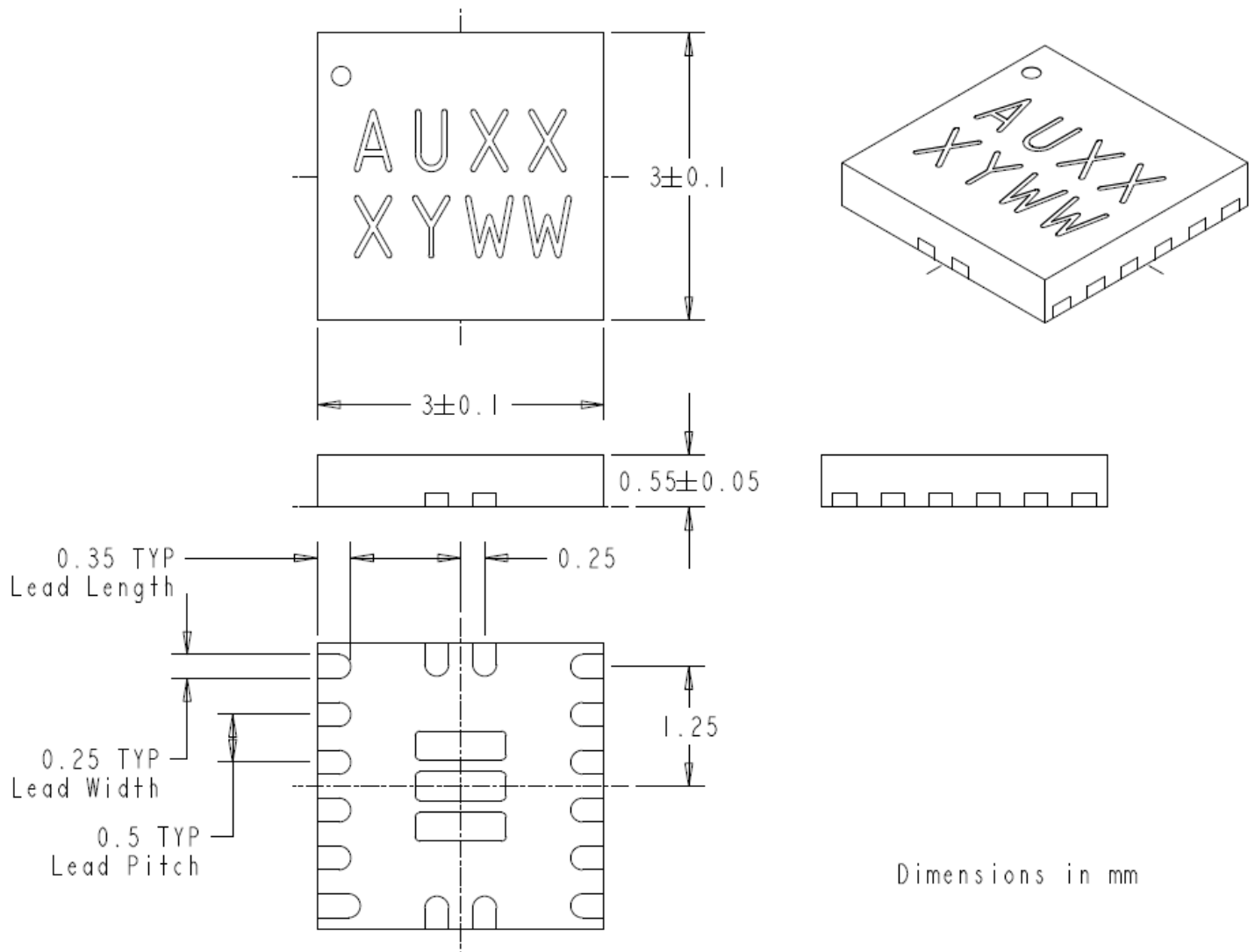


Figure 11: EV1320QI Package Dimensions (Bottom View)

Contact Information

Enpirion, Inc.
 Perryville III Corporate Park
 53 Frontage Road - Suite 210
 Hampton, NJ 08827 USA
 Phone: 1.908.894.6000
 Fax: 1.908.894.6090

Enpirion reserves the right to make changes in circuit design and/or specifications at any time without notice. Information furnished by Enpirion is believed to be accurate and reliable. Enpirion assumes no responsibility for its use or for infringement of patents or other third party rights, which may result from its use. Enpirion products are not authorized for use in nuclear control systems, as critical components in life support systems or equipment used in hazardous environment without the express written authority from Enpirion