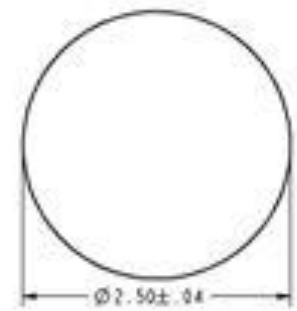
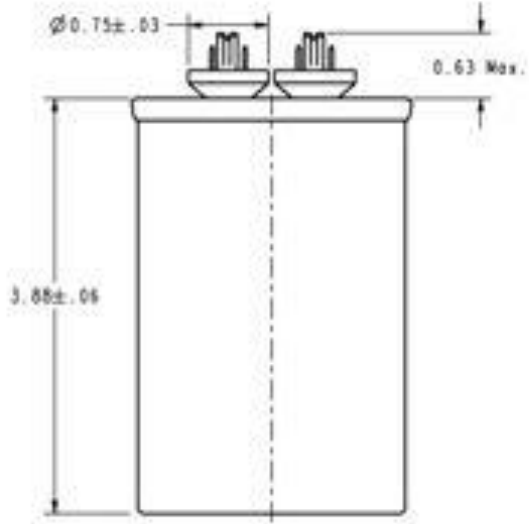
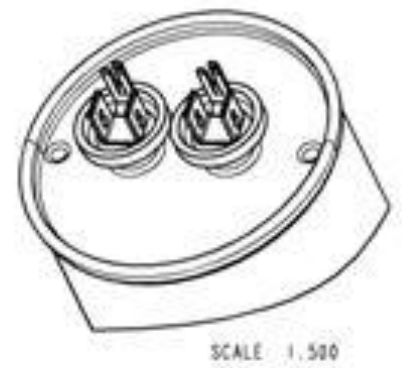
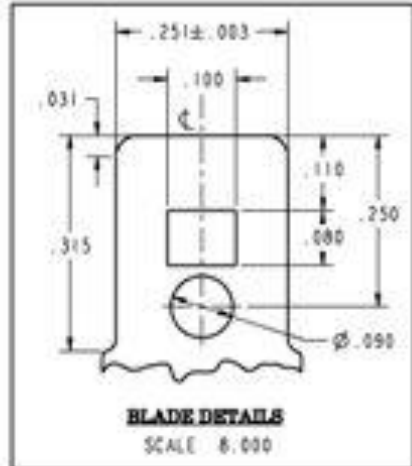
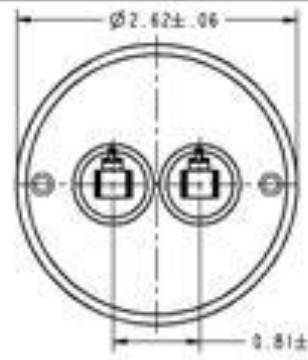


NAME: 501221413 OBJECT: CAPACITOR\_ASM\_DWG DATE: 28-Nov-05 19:36:20

14 | 13 | 12

REV. NO.		97F8238RR	REV. 1	SHEET 1
REVISIONS				
REV.	DESCRIPTION	DATE	APPROVED	
1	Modified per ODR NO. 8627	11/11/05	BY	

ALL PROPRIETARY AND CONFIDENTIAL INFORMATION  
 THIS DRAWING IS THE PROPERTY OF MILITARY AIRCRAFT ELECTRONICS CORPORATION  
 IT IS TO BE KEPT IN STRICTLY CONFIDENTIAL AND CONTROLLED DISTRIBUTION  
 UNLESS OTHERWISE SPECIFIED OTHERWISE, ALL RIGHTS ARE RESERVED  
 THIS DRAWING IS THE PROPERTY OF MILITARY AIRCRAFT ELECTRONICS CORPORATION  
 IT IS TO BE KEPT IN STRICTLY CONFIDENTIAL AND CONTROLLED DISTRIBUTION  
 UNLESS OTHERWISE SPECIFIED OTHERWISE, ALL RIGHTS ARE RESERVED



**SPECIFICATIONS:**

"GEM-III Capacitors are manufactured with High Grade Metallized Polypropylene Film"

Main Capacitance	± .99.93uF ± 4%
Secondary Capacitance	± NIL
Volts	± 480VAC
Leakage Current	± 30uA Max.
Frequency	± 50/60 HZ
Operating Temperature	± -40 DEG C TO 70 DEG C
Storage Temperature	± -40 DEG C TO 90 DEG C
Operative Life	± 60,000 HRS WITH 94% SURVIVAL
Dissipation Factor	± 0.1% MAX.
Case Material	± ALUMINIUM
Cover Material	± TERMPLETE
Terminals	± 0.250" x 0.031" Quick Connect Blades
Dielectric Fluid	± DIELECTROL VI
Internal Protection	± UL RECOGNIZED PRESSURE SENSITIVE INTERRUPTER



FOR ADDITIONAL INFO REFER TO:	SIGNATURES	DATE
DESIGN	WMS	8/21/03
ENGINEER	WMS	8/21/03
CHECKED	WMS	8/21/03
APPROVED		
DATE		
SCALE		
FINISH		

MILITARY AIRCRAFT ELECTRONICS CORPORATION	
TITLE: <b>GEM III CAPACITOR OUTLINE DRAWING</b>	
REV. NO.	97F8238RR
DATE	11/11/05
BY	
SHEET 1 OF 1	

14 | 13 | 12 | 11