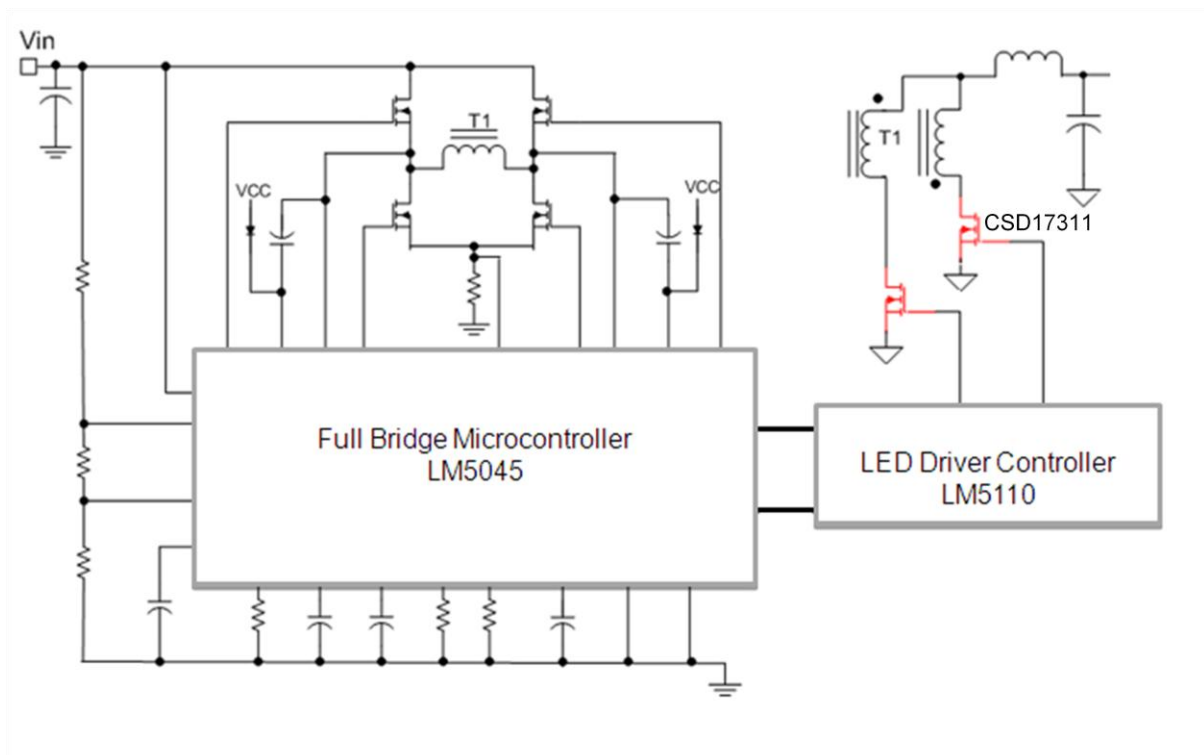


High Density Primary Side DC/DC Brick Power Supply

Description:

Combining an integrated sync FET controller capable of operating at a switching frequency of up to 2 Mhz and very low Qg Nex FETs make for an unprecedented power density enabling smaller footprints and higher efficient DC/DC power supplies.



Key Features:

- 100Vdc Input Voltage
 - Allows for power supplies operating from many common input voltage rails used in telecom and industrial market segments.
- Low voltage high current output

- High efficiency at low voltage and high current comes from the synchronous FET architecture combined with the NexFET performance FETs
- High power density solution
 - Integrated drivers and high efficiency allows for a smaller overall footprint as heat reduction enables tighter board layouts.

Devices:

Part Number	Description	Farnell order code
LM5045	Full-Bridge PWM Controller	2064692
LM5110	Resonant Switching LED Driver Controller	8181403 8181411 1008271 1359961
CSD17311	N-Channel NexFET	1863891