

IEC Appliance Inlet C8, Screw-on Mounting, Rear Side, Solder Terminal



0720-FS

C8

 70 ° C

**Description**

- Panel Mount:
- Screw-on mounting from rear-side Appliance Inlet,
- Pin temperature 70 °C, Protection class II
- Solder terminals

Approvals

- UL File Number: E96454
- CSA File Number: 73165

References**Weblinks**

[pdf](#), [html](#), [General Product Information](#), [Approvals](#), [RoHS](#), [CHINA-RoHS](#), [Mating Connectors](#), [e-Store](#), [SCHURTER-Stock-Check](#), [Distributor-Stock-Check](#), [Accessories](#)

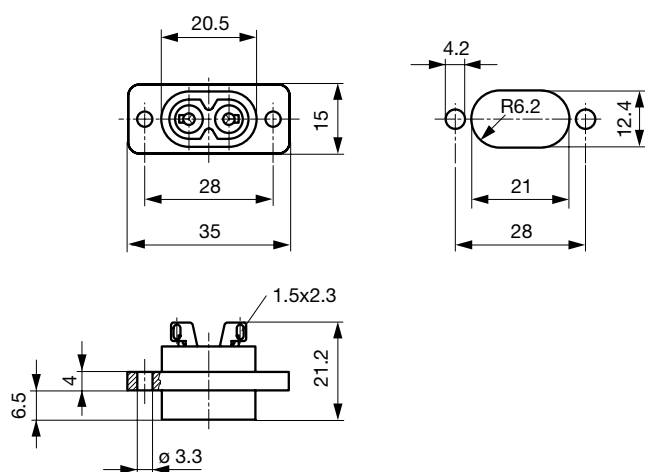
Technical Data

Ratings IEC	2.5 A / 250 VAC; 50 Hz
Ratings UL/CSA	2.5 A / 250 VAC; 60 Hz
Dielectric Strength	> 2 kVAC between L-N (1 min/50 Hz)
Allowable Operation Temp.	-25 °C to 70 °C
Degree of Protection	from rear-side IP 40 acc. to IEC 60529
Protection Class	Suitable for appliances with protection class 2 acc. to IEC 61140
Terminal	Solder terminals
Panel Thickness s	Screw: max 4 mm Mounting screw torque max 0.5 Nm
Material: Housing	Thermoplastic, black, UL 94V-0

Appliance Inlet	C8 acc. to IEC/EN 60320-1, UL 498, CSA C22.2 no. 42 (for cold conditions) pin-temperature 70 °C, 2.5 A, Protection Class 2
-----------------	--

Dimensions

0720-FS

 35 mm


Solder terminals for wires

Variants

Type	Panel mounting	Panel Thickness s [mm]	Terminal	Order Number
0720-FS	Screw	4	Solder terminals	4300.0096

Packaging unit 50 Pcs

Mating Outlets/Connectors

Category / Description

[Power Cord Overview complete](#)



Power Cord with IEC Connector C7, Straight 70°C	2510
Power Cord with IEC Connector C7, Angled	2511
Power Cord with IEC Plug C7, Angled	2514
Power Cord with IEC Connector C7, Straight 70°C	4810

[Power Cord further types to 0720-FS](#)

[Power Supply or Interconnection Cord Overview complete](#)



Divers Power Supply and Interconnection Cords 2.5 A	CS01.0121.150
Divers Power Supply and Interconnection Cords 2.5 A	CS01.0221.150
Divers Power Supply and Interconnection Cords 2.5 A	CS01.0321.150
Divers Power Supply and Interconnection Cords 2.5 A	CS01.0421.150
Divers Power Supply and Interconnection Cords 2.5 A	CS03.0421.150

[Power Supply or Interconnection Cord further types to 0720-FS](#) ...