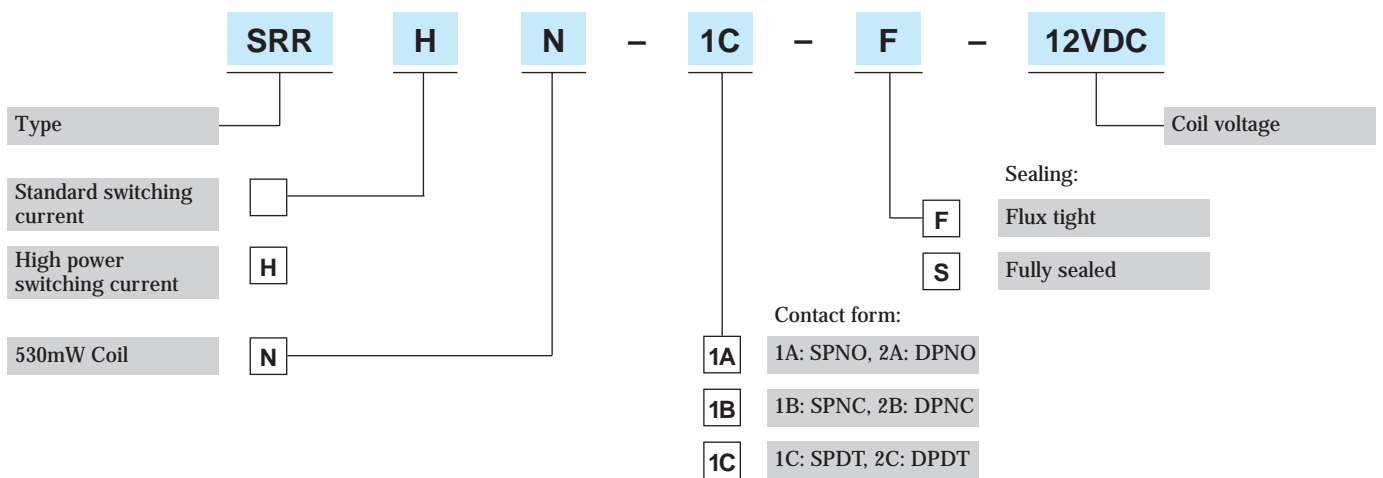


- Single pole and double pole contact arrangements
- Meets VDE 8mm spacing, 4kV dielectric strength, coil to contact
- Standard type (flux tight) and fully sealed type available
- UL/CSA recognised



## Options and ordering codes



## Contact rating

Type	SRRHN	SRRN	SRRHN
Contact form	1A, 1B, 1C	2A, 2B, 2C	2A, 2B, 2C
Maximum switching power	2880VA/360W	1200VAC/150W	1920VAC/240W
Maximum switching voltage	250VAC/125VDC		
Maximum switching/carry current	12A	5A	8A
TV rating	TV-5	TV-3	

UL, CSA and TUV safety approval ratings available on request

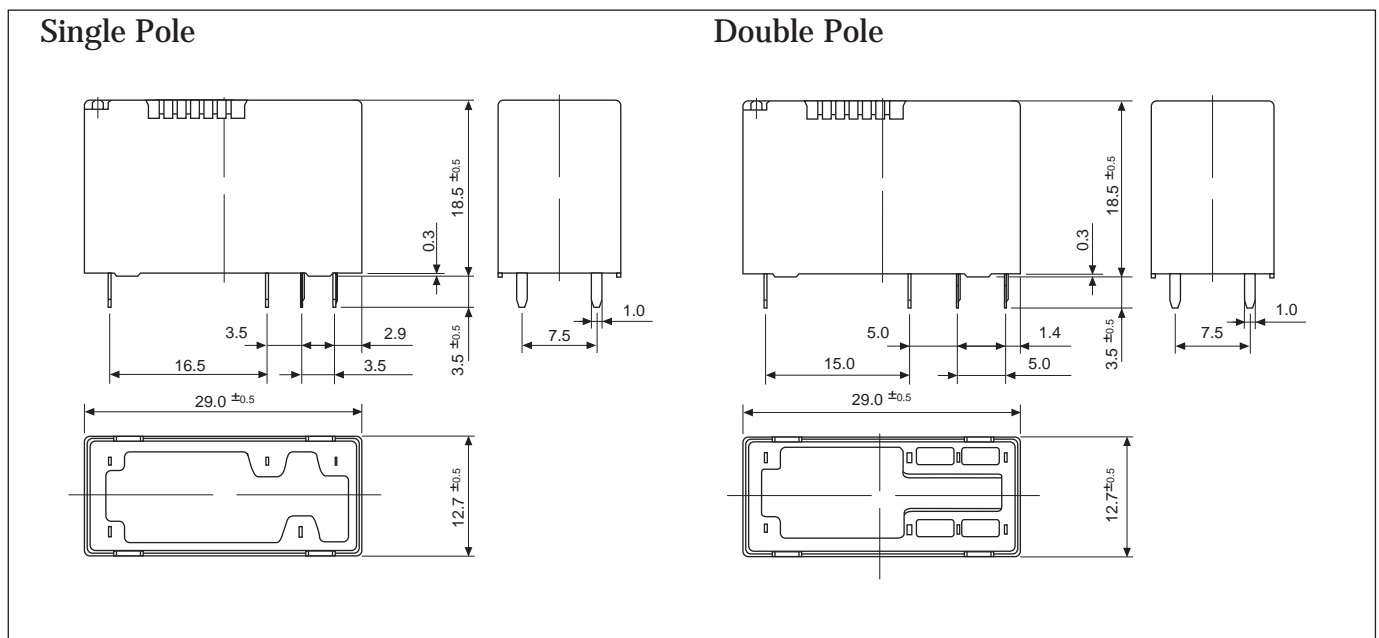
## Specification

Contact material	AgSnInO	
Initial contact resistance	100mΩ Max	
Operate time	20ms Max. (at rated voltage)	
Release time	10ms Max. (at rated voltage)	
Nominal operating power	Approx. 530mW	
Insulation resistance	1,000MΩ at 500VDC	
Breakdown voltage	Between coil and contacts	5,000VAC (for 1 minute)
	Between open contacts	1,000VAC (for 1 minute)
	Between adjacent contact sets	3,000VAC (for 1 minute)
Vibration resistance	Operating extremes	10-55Hz, amplitude 1.5mm
	Damage limits	10-55Hz, amplitude 1.5mm
Shock resistance	Operating extremes	10G
	Damage limits	100G
Ambient temperature	-40 to +70°C	
Life expectancy	Mechanical	10 x 10 <sup>6</sup> Operations (frequency 1,800 operations/hour)
	Electrical (at max. Load)	1 x 10 <sup>6</sup> Operations (frequency 1,200 operations/hour)
Weight	14g	

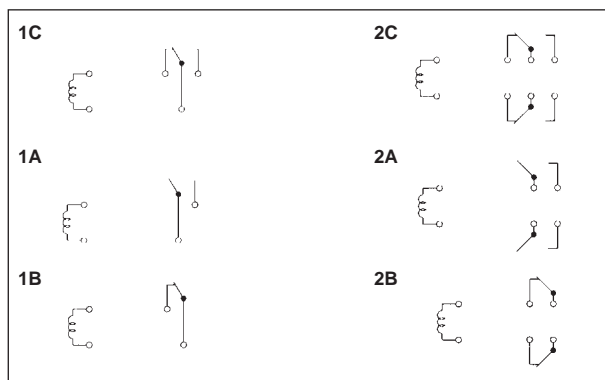
## Coil specification

Rated voltage	Rated Current $\pm$ 10% at 25°C (mA)	Coil Resistance $\pm$ 10% at 25°C ( $\Omega$ )	Max. continuous voltage at 25°C	Pick up voltage (Max) at 25°C	Drop out voltage (Min) at 25°C	Power consumption at rated load
3	176	17	130% of rated voltage	80% of rated voltage	10% of rated voltage	Approx. 530mW
5	105	47.7				
6	88	68				
9	60	150				
12	44	275				
24	22	1100				
48	11	4400				
60	8.8	6800				

## Dimensions mm



## Wiring diagram



## PCB layout

