



## Temperature sensors AS Part number 89750151



- Integrated converter: 0-10 V DC output for direct connection to the Millenium 3 analogue inputs

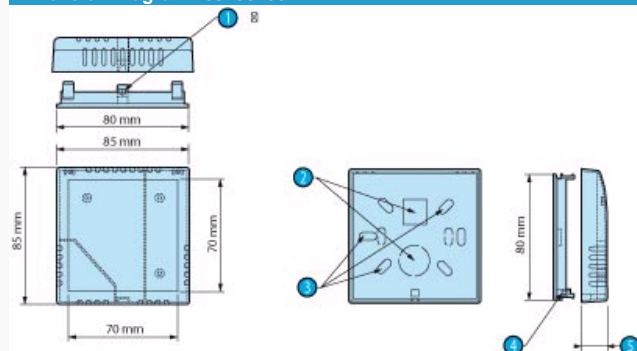
	Type	Description	Range	Accuracy	Supply	Protection casing	Protection probe
89750150	AS	Zone/space	-10 → +40°C	-0.2 °C + 1.2°C	24 V DC	IP30	-
89750151	AS	Ventilation duct	-10 → +60°C	-0.2 °C + 1.9°C	24 V DC	IP65	IP30
89750152	AS	External	-10 → +40°C	-0.2 °C + 1.2°C	24 V DC	IP65	-
89750153	AS	Remote/submersible probe	-10 → +150°C	-0.2 °C + 1.2°C	24 V DC	IP65	IP67
89750155	AS	Remote/submersible probe	-40 → +20°C	-0.2°C + 1.9°C	24 V DC	IP65	IP67

### Environmental characteristics

Ambient temperature	-10 → +60°C
Ambient humidity	5 → 95% RH
Housing material	Self-extinguishing
Electrical characteristics	
Supply voltage	24 V DC (± 10%)
Output	0 → 10 V DC
Temperature coefficients Derating	0.01%/°C of full scale
Temperature coefficients Offset	1,5 mV / °C

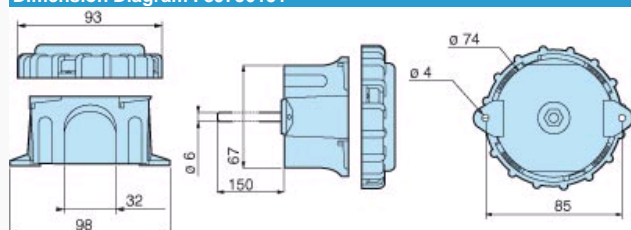
Accessories	Operating temperature	Operating pressure	Code
Copper protective sleeve	-20 → +100°C	10 bar	89750146
316 stainless steel protective sleeve	-20 → +400°C	16 bar	89750147
Heat transfer compound	-	-	18373112

### Dimension Diagram : 89750150

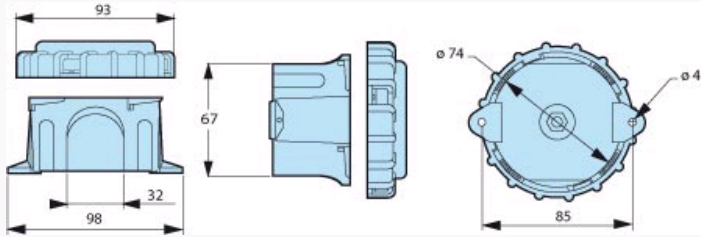


N°	Legend
1	Ø3 mm for M3 x 8 screw
2	Cut-outs made prior to delivery
3	Fixing holes
4	Indentation for M3 square nut
5	Total depth 26 mm

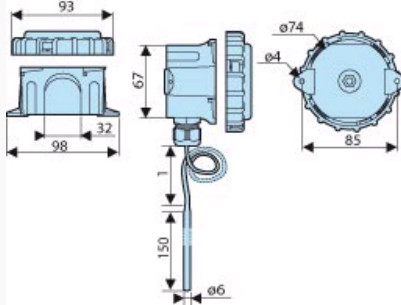
### Dimension Diagram : 89750151



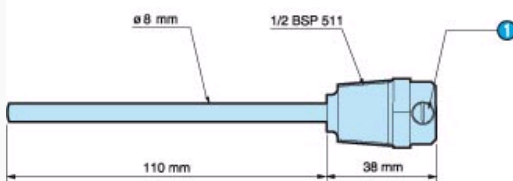
## Dimension Diagram : 89750152



## Dimension Diagram : 89750153 and 89750155



## Dimension Diagram : Accessory for 89750153 and 89750155



N°	Legend
1	M4 screw