



- [PRODUCTS](#)
- [APPLICATIONS](#)
- [RESOURCES & TOOLS](#)
- [ABOUT ADI](#)
- [MY ANALOG](#)

[Parametric Search](#)
[Cross-Reference Search](#)

[Print](#) | [Email this page](#) | [Save to myAnalog](#)

[Connect with ADI Specialists](#)

[ADI Home](#) > [Audio/Video Products](#) > [Analog/HDMI/DVI Interfaces](#) > [ADV7511](#)

ADV7511: 225 MHz, High Performance HDMI® Transmitter with ARC

Product Status Production

The ADV7511 is a 225 MHz High-Definition Multimedia Interface (HDMI®) transmitter, which is ideal for home entertainment products including DVD players/recorders, digital set top boxes, A/V receivers, gaming consoles, and PCs.

The digital video interface contains an HDMI 1.4- and a DVI 1.0-compatible transmitter, and supports all HDTV formats (including 1080p with 12-bit Deep Color). ...[More](#) ▶

DATA SHEET

[Download Data Sheet Rev Sp0, 03/2010](#) (pdf 87kB) ([About Data Sheets](#))

Technical Documentation

- [Quality and Reliability Information](#)
- [Lead\(Pb\)-Free Data](#)

Similar Products

[Samples & Purchase](#) | [Packaging](#)

FEATURES

SPECIFICATIONS

GENERAL

- Incorporates HDMI 1.4 features Audio return channel (ARC) 3D video support
- 225 MHz supports 12-bit Deep Color operation in all video formats up to 1080p
- Supports gamut metadata packet transmission
- Integrated CEC buffer/controller —upgraded to HDMI 1.4
- Compatible with DVI 1.0 and HDCP 1.4
- Video/audio inputs accept logic

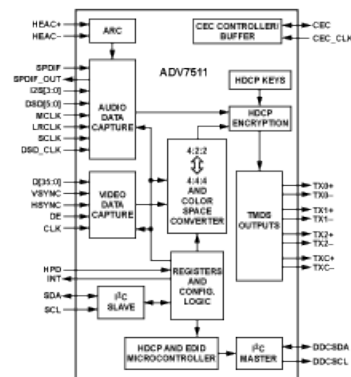
DIGITAL AUDIO

- Audio return channel (ARC) for HDMI 1.4 support
- Supports standard S/PDIF for stereo LPCM or compressed audio up to 192 kHz
- 8-channel uncompressed LPCM I2S audio up to 192 kHz

SPECIAL FEATURES FOR EASY SYSTEM DESIGN

- On-chip MPU with I2C master to perform HDCP operations and EDID reading operations
- 5 V tolerant I2C and HPD I/Os.

FUNCTIONAL BLOCK DIAGRAM FOR ADV7511



[Symbols and Footprints](#)

Enlarge

OF NOTE ...

Complete documentation is available within the Analog Devices [EngineerZone](#). Additional support is available from your Analog Devices [local sales](#). Information about obtaining licenses required for using HDMI and HDCP technologies is available from www.hdmi.org and www.digital-cp.com.



Additional product choices for Advanced TV applications are available on the [Advantiv® site](#).

SIMILAR PRODUCTS: [View Interactive Product Selection Table](#)

SAMPLES & PURCHASE | PACKAGING

[\[BACK TO TOP\]](#)

[Print Table](#)

ADV7511 Model Options

[CHECK INVENTORY AND PURCHASE](#)

Model	Status	Package	Pins	Temp. Range	Price* (100-499)	Price* (1000 pcs.)	Packing / Qty	RoHS?	View PCN/PDN	Samples***
ADV7511KSTZ	Prodn	LQFP 1.4 MM	100	Comm.	Tray, 90			Y Material Info	-	
ADV7511KSTZ-P	Prodn	LQFP 1.4 MM	100	Comm.		Tray, 90		Y Material Info	-	
EVAL-ADV7511-AKZ	Prodn	EVALUATION BOARDS	-	1				Y	-	

[\[BACK TO TOP \]](#)

*The USA list pricing shown is for BUDGETARY USE ONLY, shown in United States dollars (FOB USA per unit for the stated volume), and is subject to change. International prices may differ due to local duties, taxes, fees and exchange rates. For volume-specific price or delivery quotes, please contact your local Analog Devices, Inc. sales office or authorized distributor. Pricing displayed for Evaluation Boards and Kits is based on 1-piece pricing.

**When "Not recommended" is shown in the product status, it means that the model is still in production, but is not recommended for new design.

***Products with "Production" status are available to purchase from an Analog Devices authorized distributor. Select the "Check Inventory and Purchase" button to view distributor part availability. Pre-release products may be available for sample. Check above for further information.

[CHECK INVENTORY AND PURCHASE](#)

[» View Sales and Distribution Offices](#)