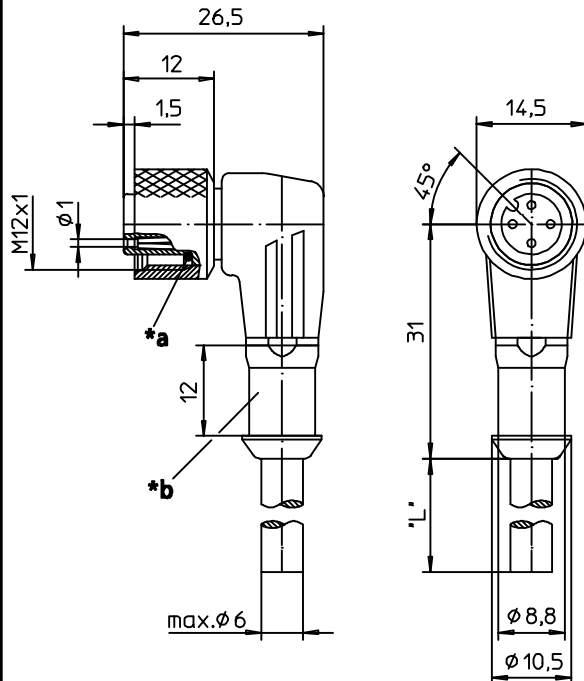


Female plug

062 60

Technical modifications reserved

**Catalog type: RKWT**

- Female plug with moulded cable
- Colour code of leads according to Euro-standard

1. Operating temperature : -25 °C / +80 °C

2. Material data

Moulded body	: TPU
Insert	: TPU
Contact	: CuSn, pre-nickel and 0,3 microns gold-plated
Knurled nut	: CuZn, nickel-plated
O - Ring	: FKM

3. Mechanical data

Degree of protection *	: IP67
Good chemical resistance	
Resistance needs to be approved in special cases	

4. Electrical data

Contact resistance	: $\leq 5 \text{ m}\Omega$
Nominal current at 40 °C	: 4 A
Nominal voltage	: 3 - 4 poles 240 V 5 poles 60 V
Test voltage	: 3 - 4 poles 2 kV _{eff.} / 60 s 5 poles 1,5 kV _{eff.} / 60 s
Insulation resistance	: $> 10^9 \Omega$
Pollution level	: 3

* Only in fully-locked position with its plugs

*a O-Ring

*b Installation of hose

*L"= Standard cable length

Additional technical data of the cable 909...

Type	Standard - Contact Configuration		
	Poles	Colour	
		Version 01	Version 02
RKWT 3...	3		1 = brown 3 = blue 4 = black
RKWT 4 - 3...	3		1 = brown 2 = n.c. 3 = blue 4 = black
RKWT 4...	4		1 = brown 2 = white 3 = blue 4 = black
RKWT 5...	5		1 = brown 2 = white 3 = blue 4 = black 5 = green / yellow

KS /																			
FP /																			
EK /																			
QP/QS /																			
PM /																			
USA /																			
WE-3 /																			
VK-MA /																			

Lumberg
Schalksmühle

	date	name	edit.	1										
	iss.	25.01.05	msch	name	se									
	appr.	20.06.06	dae	date	19.06.06									

Technical specification sheet

no. of modification

sheet
of 1