

10 9 8 7 6 5 4 3 2 1

F

E

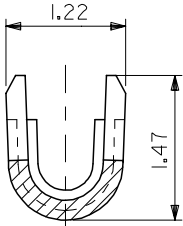
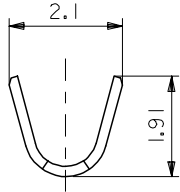
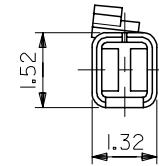
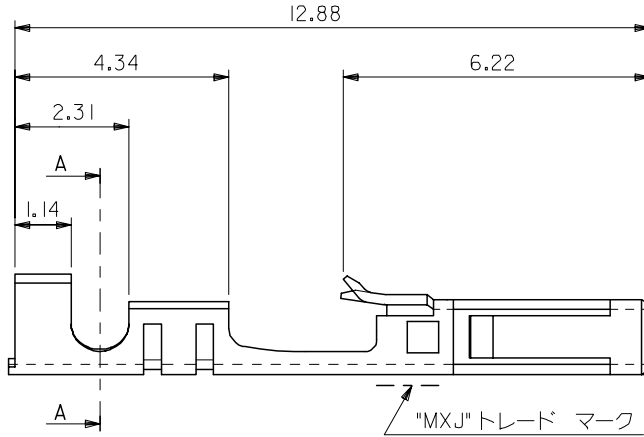
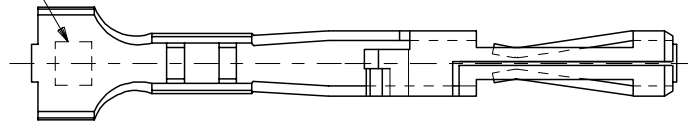
D

C

B

A

"A" 適用電線表示



断面 A-A
(SCALE 20:1)

注記:

- 1. 適合ハウジング: 51030-****
- △ 50083-8*70 仕上げ
ニッケル下地メッキ 1.0 μm MIN.
接点部 : 金メッキ 0.38 μm MIN.
圧着部 : 錫メッキ 1.0 μm MIN.
- 3. 50083-8*70 は、50083-8*60 の鉛フリー品である。

△	50083-8170	50083-8070
PLATING	バラ状	連鎖状
MATERIAL NO.		
50083-8***		MODEL NO.

MATERIAL	りん青銅 t=0.203 PHOSPHOR BRONZE
WIRE RANGE	AWG#24-#30
INS. RANGE	∅ 1.6 MAX.

REVISED	DESCRIPTION
EC NO: J2005-3404	2005/05/23
DRAWN: SUZUKI	2005/05/24
CHKD: K1010	2005/05/26
APP: NUKITA	

GENERAL TOLERANCES (UNLESS SPECIFIED)	
10 UNDER	±0.2
10 OVER 30 UNDER	±0.25
30 OVER	±0.3
ANGULAR	±3 °
DRAFT WHERE APPLICABLE MUST REMAIN WITHIN DIMENSIONS	

DIMENSION STYLE MM ONLY	
DRAWN BY	DATE
YSAKIYAMA	04/04/20
CHECKED BY	DATE
MSASAO	04/04/20
APPROVED BY	DATE
MSASAO	04/04/20
MATERIAL NO.	
SEE CHART	
SIZE	
A3	

SCALE	10:1	TITLE	J-SL FEMALE CRIMP TERMINAL -LEAD FREE-
DESIGN UNITS	METRIC	THIRD ANGLE PROJECTION	
MOLEX INCORPORATED		DOCUMENT NO.	SD-50083-001
SHEET NO.		1 OF 1	
THIS DRAWING CONTAINS INFORMATION THAT IS PROPRIETARY TO MOLEX INCORPORATED AND SHOULD NOT BE USED WITHOUT WRITTEN PERMISSION			