

Standard terminal blocks

Compression clamp

DIN 1 - 3



End stop	th. 9 mm	BADL V0	0199 408.02
End stop	th. 9,1 mm	BAM	0103 002.26
Rail	35 x 7,5 x 1	PR30 prepunched	0173 220.05
Rail	35 x 15 x 2,3	PR4	0168 500.12
Rail	35 x 15 x 1,5	PR5 prepunched	0101 598.26
Rail	32 x 15 x 1,5	PR1Z2	0163 050.04

Other end stops and rails : See Accessories section

Notes

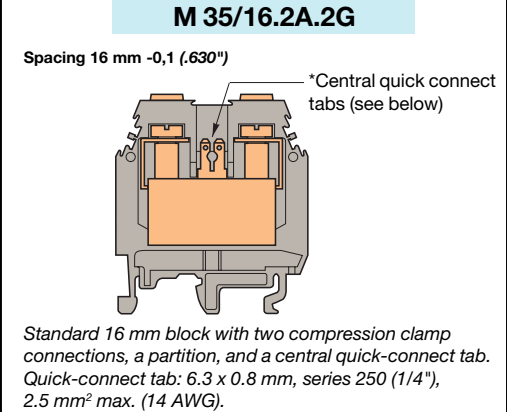
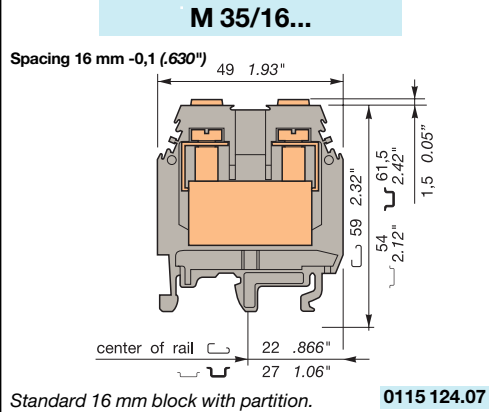
The use of some accessories may decrease the block's voltage rating. For more information, consult us.

BJDP1 permits the interconnection with a terminal block series "M" spacing 6 or 6,5 or 8 or 10 mm.

BJDP2 permits the interconnection with a terminal block series "M" spacing 12 mm.

Accessories

	1 End section	grey blue yellow beige blue	FEM16 FEM16 FEM16 FEM16V0 V0 FEM16V0 V0	th. 3,0 mm th. 3,0 mm th. 3,0 mm th. 3,0 mm th. 3,0 mm	0118 233.27 0128 233.21 0103 061.20 0198 233.20 0199 304.01
	2 Separator end section	grey beige	SCF16 SCF16.V0 V0	th. 3,0 mm th. 3,0 mm	0113 101.17 0193 101.10
	3 Separator end section for cover CPV	grey beige	SCFCV1.2 (1) SCFCV1.2 V0 (1)	th. 3,0 mm th. 3,0 mm	0116 795.11 0196 795.12
	4 Separator end section	grey	SCFEX1 (1) SCFEX3 (1)	th. 2,4 mm th. 2,4 mm	0103 619.04 0103 620.01
	5 Protective cover	grey	CPM (for SCF16...)		0187 312.14
	6 Protective cover	grey	CPV1.2 (for SCFCV1.2...)		0176 816.12
	7 Test socket		AL4	DIA. 4,0 mm	0168 237.05
	8 Test plug		FC2	DIA. 2,0 mm	0007 865.26
	9 Assembled jumper bar	125 A 125 A 125 A 125 A 125 A	FC4	DIA. 4,0 mm	0167 860.01
	10 Jumper bar not assembled	125 A	BJM16 (2) BJM16 (2) BJM16 (2) BJM16 (2) BJM16 (2)	2 poles 3 poles 4 poles 5 poles 10 poles	0179 613.01 0179 614.02 0179 615.03 0179 616.04 0179 617.05
	11 Universal jumper bar	50 A 95 A	BJS16 (2) EV16	10 poles	0168 238.16 0179 627.07
	12 Protection label		BJDP1 (2)(3)spacing 16 <-> spacing 6-6,5-8 or 10 BJDP2 (2)(3)spacing 16 <-> spacing 12		0179 623.03 0179 624.04
	Screw for protection label		EP12 EP16	3 blocks 4 blocks	0163 430.26 0163 431.13
	14 Ground identification		VSP16 IDT16		0173 147.20 0168 689.13
	R See section on markers marking method				



Color	Type	Part numbers
Grey	M 35/16	0115 124.07
Blue	M 35/16.N	0125 124.01
	M 35/16	0105 124.16
	M 35/16.V0	0195 124.00
	M 35/16.N.V0	0199 006.22

Color	Type	Part numbers
Grey	M 35/16.2A.2G	0115 719.23

Characteristics

Wire size	IEC		UL	CSA
	NFC	DIN		
Compression Solid wire	1-50 mm²		10-0 AWG	10-0 AWG
clamp Stranded wire	1-35 mm²		10-0 AWG	10-0 AWG

Characteristics

Wire size	IEC		UL	CSA
	NFC	DIN		
Compression Solid wire	1-50 mm²		16-0 AWG	16-0 AWG
clamp Stranded wire	1-35 mm²		16-2 AWG	16-2 AWG
Quick connect	4 tabs : 2,8 x 0,8 series 110 - 1,5 mm² max.			
	2 tabs : 6,3 x 0,8 series 250 - 2,5 mm² max.			

Voltage

Rated	800 V	600 V	600 V
Pulse	8 kV		
Pollution degree	3		

Current

Rated	125 A	150 A	140 A
-------	-------	-------	-------

Wire size

Rated / Gauge	35 mm² / B9	0 AWG	0 AWG
---------------	-------------	-------	-------

Wire stripping length	Recomm. Screwdriver	Recomm. torque	Protection
17 mm	6,5-7 mm	2,8-3 Nm	IP20
.669"	.255" - .276"	24.3-26.1 lb.in	NEMA 1

Voltage

Rated	800 V		
Pulse	8 kV		
Pollution degree	3		

Current

Rated	125 A (4)		
-------	-----------	--	--

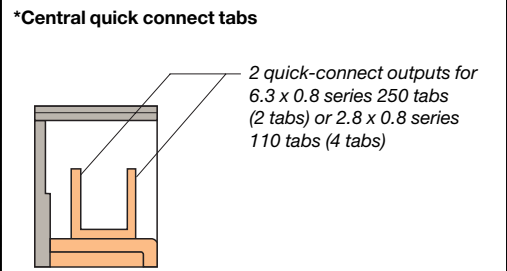
Wire size

Rated / Gauge	35 mm² / B9	0 AWG	0 AWG
---------------	-------------	-------	-------

Wire stripping length	Recomm. Screwdriver	Recomm. torque	Protection
17 mm	6,5-7 mm	2,8-3 Nm	IP20
.669"	.255" - .276"	24.3-26.1 lb.in	NEMA 1

Type	Part numbers
FEM16 th. 3,0 mm	0118 233.27
FEM16 th. 3,0 mm	0128 233.21
FEM16 th. 3,0 mm	0103 061.20
FEM16V0 V0 th. 3,0 mm	0198 233.20
FEM16V0 V0 th. 3,0 mm	0199 304.01
SCF16 th. 3,0 mm	0113 101.17
SCF16.V0 V0 th. 3,0 mm	0193 101.10
SCFCV1.2 (1) th. 3,0 mm	0116 795.11
SCFCV1.2 V0 (1) th. 3,0 mm	0196 795.12
SCFEX1 (1) th. 2,4 mm	0103 619.04
SCFEX3 (1) th. 2,4 mm	0103 620.01
CPM (for SCF16...)	0187 312.14
CPV1.2 (for SCFCV1.2...)	0176 816.12
AL4 DIA. 4,0 mm	0168 237.05
FC2 DIA. 2,0 mm	0007 865.26
FC4 DIA. 4,0 mm	0167 860.01
BJM16 (2) 2 poles	0179 613.01
BJM16 (2) 3 poles	0179 614.02
BJM16 (2) 4 poles	0179 615.03
BJM16 (2) 5 poles	0179 616.04
BJM16 (2) 10 poles	0179 617.05
BJS16 (2) 10 poles	0168 238.16
EV16	0179 627.07
BJDP1 (2)(3)spacing 16 <-> spacing 6-6,5-8 or 10	0179 623.03
BJDP2 (2)(3)spacing 16 <-> spacing 12	0179 624.04
EP12 3 blocks	0163 430.26
EP16 4 blocks	0163 431.13
VSP16	0173 147.20
IDT16	0168 689.13

Type	Part numbers
FEM16 th. 3,0 mm	0118 233.27
SCF16 th. 3,0 mm	0113 101.17
SCFCV1.2 (1) th. 3,0 mm	0116 795.11
SCFEX1 (1) th. 2,4 mm	0103 619.04
SCFEX3 (1) th. 2,4 mm	0103 620.01
CPM (for SCF16...)	0187 312.14
CPV1.2 (for SCFCV1.2...)	0176 816.12



Note : (1) Separator end section snapped on rail.
 (2) Use of these accessories requires the user to cut out the partition.
 (3) See column "various applications" on previous pages.
 (4) Maximum withstand current : 8 A for quick-connect connection for 2,8 x 0,8 mm tabs and 20 A for quick-connect connection for 6,3 x 0,8 mm tabs.