



Part Number:105-00321-**

MINI USB 5P female Short Type-I

- DIP
- Application for Mobile Phone

1.Materials:

Housing: High temperature thermoplastic, UL 94V-0 rated.
 Contact: Copper alloy
 Cover: Copper alloy with 50u" nickel over all

2.Contact finish:

Selective 1~30u" gold plating on contact area, over nickel plating (50u"min)

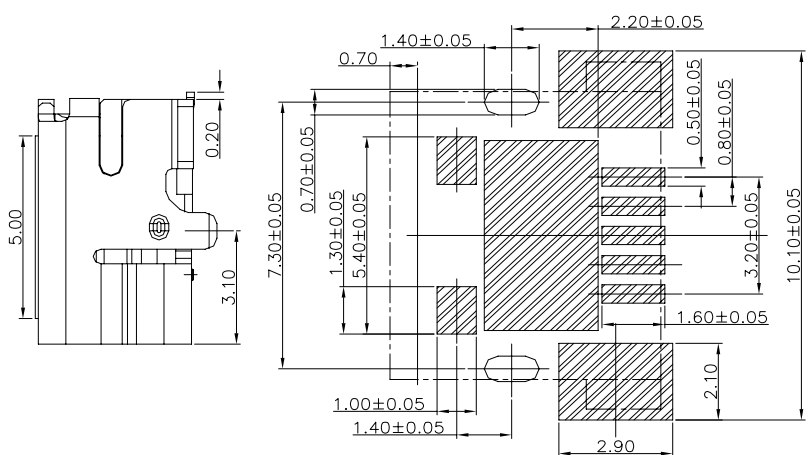
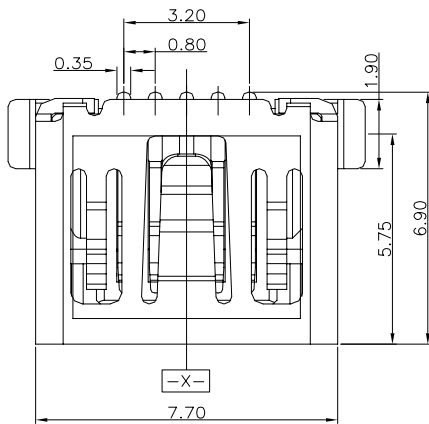
3.Electrical specifications:

Voltage Rating: 50VAC min
 Current Rating: 1.5A per contact max
 Dielectric strength: Apply 500V AC for 1 minute between adjacent terminals and ground
 Insulation Resistance: 1000MΩ min at 500VDC
 Contact Resistance: 50mΩ max
 Operating temperature: -20°C~+85°C

4.Mechanical specifications:

Durability: 5000cycles.
 Mating force: 35N max.
 Unmating force: 3N min

5.RoHS Compliant



Recommended PC Board Layout

