

2 TOGGLE SWITCHES

Special Purpose Heavy Duty and Heavy Duty Hesitation Switches

DESCRIPTION

One Hole Panel Mount




These heavy duty toggle switches are available in either two or three position. The three position switches offer a unique positive center stop feature which assures that the lever cannot be thrown from one side through the center "OFF" position without stopping. This design feature is a major factor in their widespread

acceptance for motor reversing and speed control applications. The most common application for the switch is to help prevent motor damage resulting from the high current generation by counter EMF of the armature at the time of reversing. This type of device is referred to within the industry as an anti-plugging, hesitation, positive stop or positive off switch. Typical applications include bench tools, coach and truck (electric lift) and X-Ray equipment.

Flush Mount

These three position switches also offer the positive center stop feature where the lever cannot be thrown from one side through the center "OFF" position without stopping. The high ratings of this series allow it to be used with a broad range of heavy duty applications. Copper contacts and brass screw terminals are standard.




ONE HOLE PANEL MOUNT SWITCH SELECTION TABLE (BOLD FACE TYPE INDICATES ITEMS NORMALLY IN DISTRIBUTOR STOCK)

| Rating | Poles and Throw | Circuit with Toggle in | | | BASE CIRCUIT SEE PAGE 4.28 | Bushing Length mm (inches) | Lever Length mm (inches) | Lever Type | CATALOG NUMBERS |
|---|-----------------|---|---|---|----------------------------|------------------------------|------------------------------|--------------|------------------|
| | | UP Position  | CENTER Position  | DOWN Position  (Keyway) | | | | | Screw Terminals |
| ONE HOLE PANEL MOUNT | | ONE HOLE PANEL MOUNT | | | | | | | |
| 14A, 125V ac/dc 7A, 250V ac/dc 3/4 Hp, 125-250V ac/dc | 2 P.D.T. | ON ON | NONE OFF | ON ON | D | 10.31 (.406) 10.31 (.406) | 13.49 (.531) 13.49 (.531) | Ball Ball | 7814K1 7814K2 |
| 15A, 125V ac ① 10A, 250V ac 3/4 Hp, 250V ac | 2 P.D.T. | ON | OFF | ON | D | 11.89 (.468) | 17.45 (.687) | Bat | 7992K10 |
| 10A, 125V ac/dc 5A, 250V ac/dc | 3 P.D.T. | ON | OFF | ON | F | 10.31 (.406) | 13.49 (.531) | Ball | 7815K3 |
| 15A, 125V ac ① 10A, 250V ac 3/4 Hp, 250V ac | 3 P.D.T. | ON | OFF | ON | F | 11.89 (.468) | 17.45 (.687) | Bat | 7991K10 |
| 10A, 125V ac/dc 5A, 250V ac/dc | 4 P.D.T. | ON | NONE | ON | F | 10.31 (.406) | 13.49 (.531) | Ball | 7815K1 ② |
| 10A, 125V ac/dc 5A, 250V ac/dc 1/2 Hp, 125-250V ac/dc | 4 P.D.T. | ON | OFF | ON | F | 10.31 (.406) | 13.49 (.531) | Ball | 7816K2 |
| 15A, 125V ac ① 10A, 250V ac 3/4 Hp, 250V ac | 4 P.D.T. | ON | OFF | ON | F | 11.89 (.468) | 17.45 (.687) | Bat | 7990K10 |

① Listed Rating for 125V ac also applies at 28V dc.

② Not UL Recognized.

FLUSH MOUNT SWITCH SELECTION TABLE

| Rating | Poles and Throw | Circuit with Toggle in | | | Lever Type | Type of Termination | CATALOG NUMBERS |
|------------------------------------|-----------------|---|---|---|------------------|---------------------|----------------------|
| | | UP Position  | CENTER Position  | DOWN Position  (Keyway) | | | |
| FLUSH MOUNT SWITCH | | FLUSH MOUNT SWITCH | | | | | |
| 20A, 125V ac/dc 10A, 250V ac/dc | 2 P.D.T. | ON ON | NONE OFF | ON ON | Square Square | Screw Screw | 7810K1 7810K2 ① ② |
| 30A, 125V ac/dc 20A, 250V ac/dc | 2 P.D.T. | ON | OFF | ON | Square | Screw | 7811K2 ① ③ |
| | 3 P.D.T. | ON | OFF | ON | Square | Screw | 7812K2 |
| | 4 P.D.T. | ON | OFF | ON | Square | Screw | 7813K2 |

① CSA Certified.

② Also rated 5A, 600V ac; 1-1/2 Hp, 250V dc; 2 Hp, 240V ac.

③ Also rated 2 Hp, 250V ac/dc.

SPECIFICATIONS

Ratings:

See selection tables.

Circuits:

2PDT, 3PDT, 4PDT.
Maintained action.

Contact Mechanism:

One Pole Panel Mount

AC Rated Devices —
Slow-make/Slow-break
butt contact.

AC/DC Rated Devices —
Quick-make/Quick-break
wiping contacts.

Flush Mount

Quick-make/Quick-break
wiping contacts.

Contact Material:

One Pole Panel Mount

AC Rated Devices —
Movable — Silver plated
copper with fine or coin
silver contact face button.

Stationary — Copper with
fine or coin silver contact
face button.

AC/DC Rated Devices —

Movable — Copper.

Stationary — Bronze.

Flush Mount

Movable — Copper.

Stationary — Copper.

Terminal Types:

Screw Terminals — Brass.

Mounting Means:

One Pole Panel Mount

AC Rated Devices —
Threaded Bushing —
11.89mm (.468") dia.,
32 threads/inch.
Keyway — 1.73 x .89mm
deep (.068 x .035" deep),
provide anti-rotation feature.
Hardware Supplied —
1 hexagon locknut
(Cat No. 15-192) and 1 hex
facenut (Cat No. 15-966-2).
Furnished unassembled.

AC/DC Rated Devices —

Threaded Bushing —
19.05 mm (.750") dia.,
32 threads/inch.

Keyway — 2.59 x 2.64mm
(.102 x .104") x
1.04 x 1.09mm
(.041 - .043") deep.

Hardware Supplied —
2 hexnuts
(Cat No. 15-1043).
Furnished unassembled.

Flush Mount

Flush mounting panel tabs.

Dielectric Withstand:

1,000V RMS minimum.

Operating Temperature Range:

-17.8°C to +65.6°C
(0°F to +150°F).

Approvals:

UL Recognized
(except where noted).

CSA Certified
(where noted).



7814K2
Panel Mount



7815K1
Panel Mount



7810K2
Flush Mount

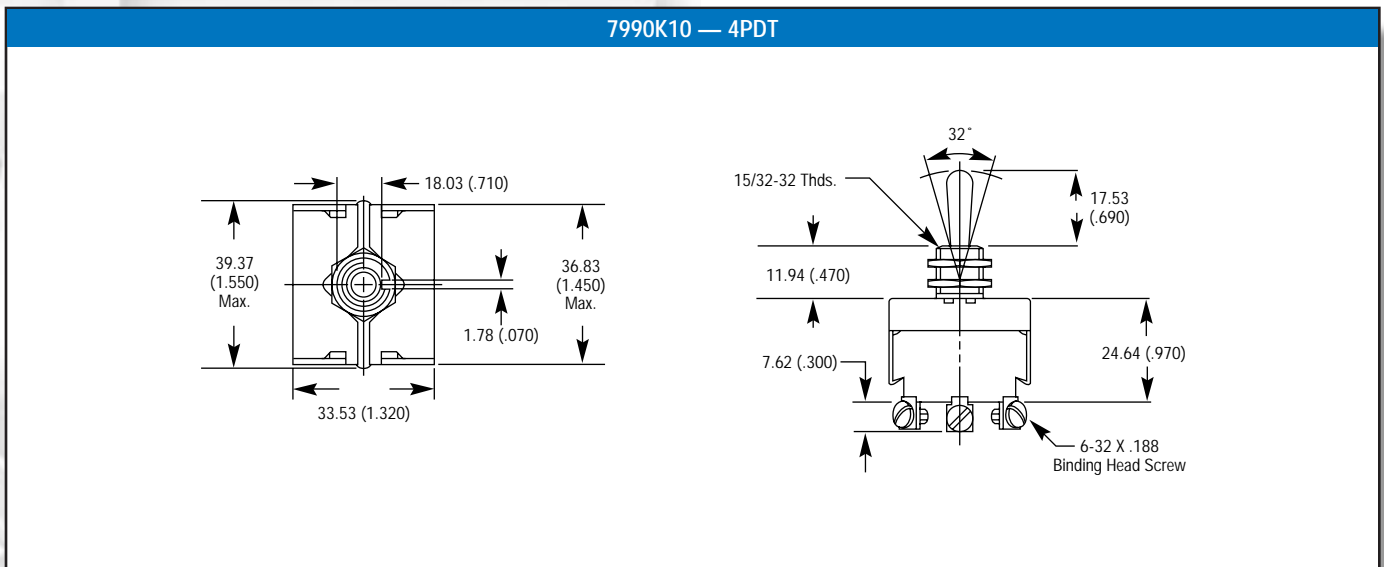
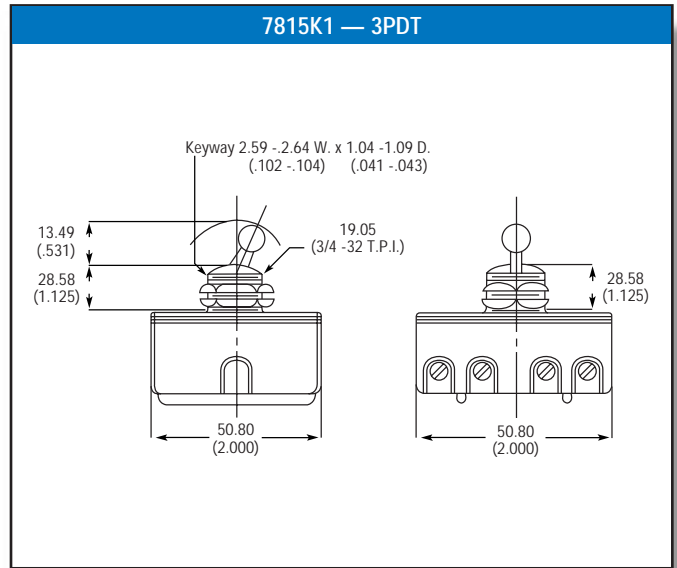
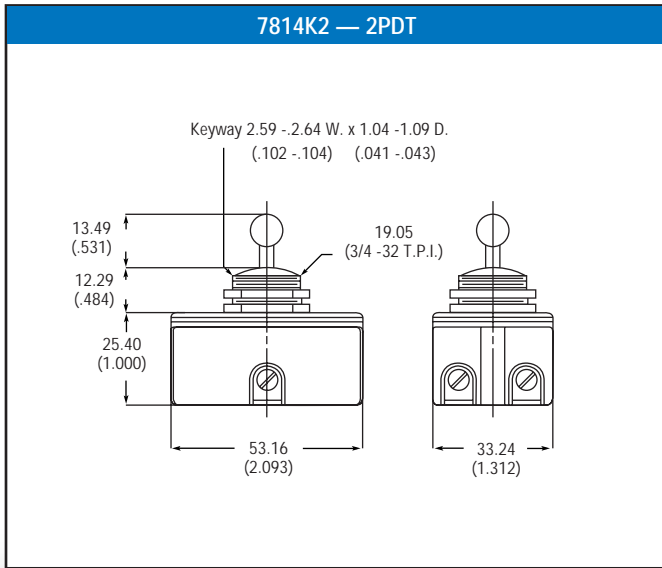


7811K2
Flush Mount

2 TOGGLE SWITCHES

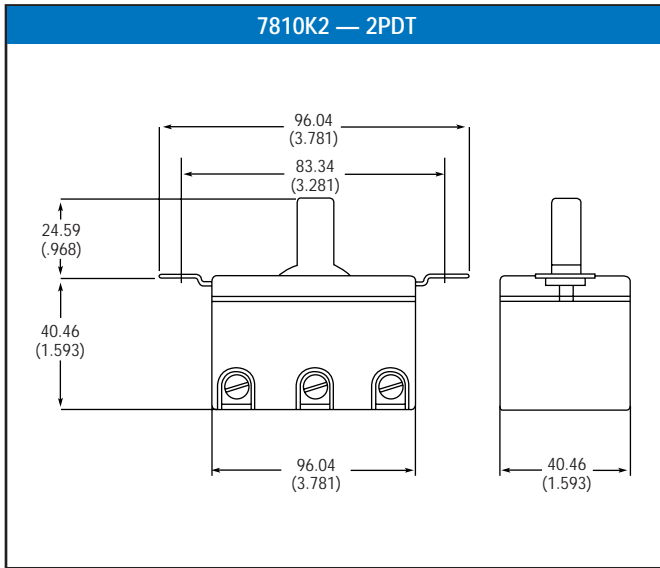
Special Purpose Heavy Duty and Heavy Duty Hesitation Switches (continued)

ONE HOLE PANEL MOUNT DIMENSIONS APPROXIMATE IN MM (INCHES)

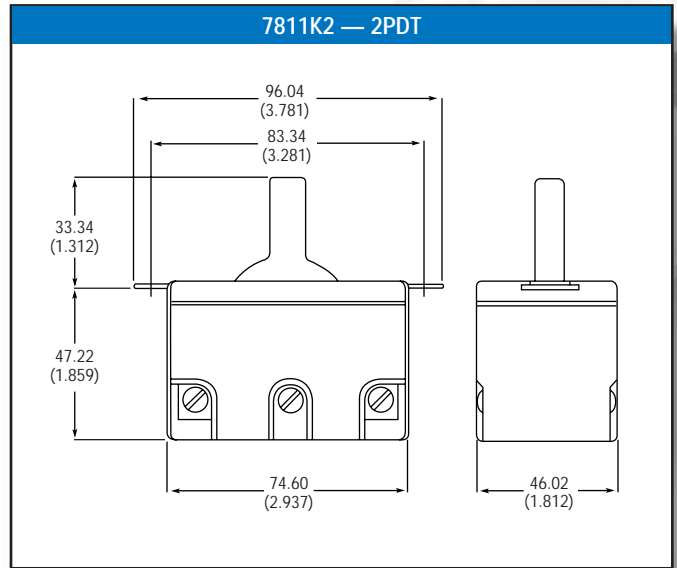


FLUSH MOUNT DIMENSIONS APPROXIMATE IN MM (INCHES)

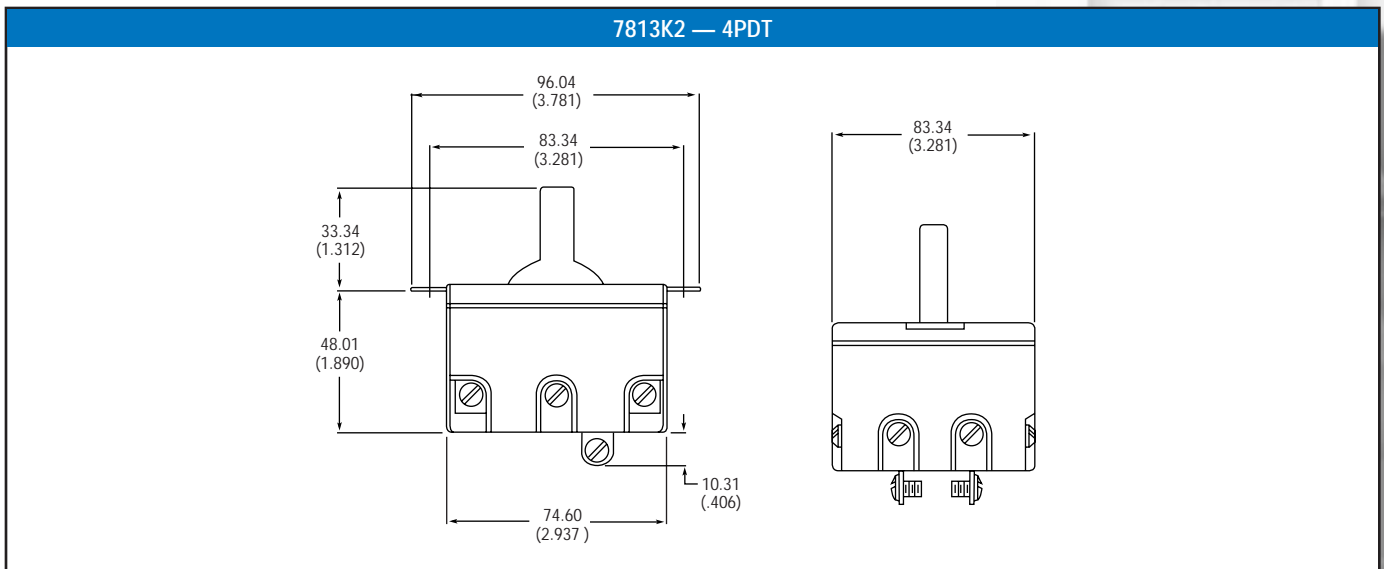
7810K2 — 2PDT



7811K2 — 2PDT



7813K2 — 4PDT



2 TOGGLE SWITCHES

Military Purpose Toggle Switches

DESCRIPTION

Eaton's Military Purpose switches are designed to meet the requirements of MIL-S-83731 or JAN-S-23. Sealed Switches have a silicone rubber lever seal assembled between the lever and the bushing to resist the entrance of contaminants such as dust, sand or water into the contact structure.

The switch mechanisms are completely enclosed to resist the entrance of contaminants into the switch. All metal parts are plated to resist corrosion. The Heavy Duty Switches are offered in both Standard Toggle Lever and Lever

Lock versions. Circuit designations are stamped on the side of each switch.

SPECIFICATIONS

Ratings:

See selection table.

Circuits:

1PST, 1PDT, 2PST, 2PDT, 1P3T (ON-ON-ON), 4PST and 4PDT.

Maintained and momentary action.

Contact Action:

Heavy Duty

Slow-make/Slow-break butt contact.

Medium Duty

Quick-make/Quick break, wiping action.

Contact Material:

Heavy Duty


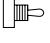

Movable — Silver plated copper with fine or coin silver contact face button.

Stationary — Copper with fine or coin silver contact face button.

Medium Duty

Movable — Copper silver plated.
Stationary — Bronze silver plated.

AC/DC RATED (MEDIUM DUTY) MIL-S-83731 SWITCHES SELECTION TABLE (BOLD FACE TYPE INDICATES ITEMS NORMALLY IN DISTRIBUTOR STOCK)

| Rating | Poles and Throw | Circuit with Toggle in | | | BASE CIRCUIT SEE PAGE 4.28 | Dimension "A" mm (inches) | Dimension "B" mm (inches) | CATALOG NUMBERS | |
|--------------------|-----------------|---|---|--|----------------------------|---------------------------|---------------------------|---|----------------|
| | | UP Position  | CENTER Position  | DOWN Position (Keyway)  | | | | Military or JAN (ST) Solder Lug Terminals | |
| | | | | | | | | MIL-S-83731 With Sealed Lever | Catalog Number |
| SINGLE POLE | | | | | | | | | |
| 1 | 1 P.S.T. | ON | NONE | OFF | A | — | 23.01 (.906) | MS25098-22 | 8261K22 |
| 1 | | ON | NONE | OFF* | | | | MS25098-29 | 8261K29 |
| 1 | | OFF | NONE | ON* | | | | MS25098-30 | 8261K30 |
| 1 | 1 P.D.T. | ON | NONE | ON | B | 23.80 (.937) | — | MS25098-23 | 8261K23 |
| 1 | | ON | NONE | ON* | | | | MS25098-26 | 8261K26 |
| DOUBLE POLE | | | | | | | | | |
| 2 | 2 P.S.T. | ON | NONE | OFF | C | — | 23.01 (.906) | MS25100-22 | 8262K22 |
| 2 | | ON | NONE | OFF* | | | | MS25100-29 | 8262K29 |
| 2 | | OFF | NONE | ON* | | | | MS25100-30 | 8262K30 |
| 3 | 2 P.D.T. | ON | NONE | ON | D | 23.80 (.937) | — | MS25100-23 | 8262K23 |
| 3 | | ON | NONE | ON* | | | | MS25100-26 | 8262K26 |

* Momentary Contact.

CURRENT RATINGS

| Code From Selection Table | Part Number | CURRENT CAPACITY IN AMPERES PER POLE | |
|---------------------------|--------------------|--------------------------------------|----------------|
| | | 125V ac, 60 Hz | |
| | | Resistive Load | Inductive Load |
| 1 | All MS25098 | 3.0 | 1.5 |
| 2 | MS25100-22, 29, 30 | 3.0 | 1.5 |
| 3 | MS25100-23, 26 | 1.0 | 1.0 |

Terminal Types:

**Heavy Duty
MIL-S-83731 Types**

Screw Terminals — Brass designed to accept #6-32 x 6.35mm (.250") pan head (Cat. No. 11-1893) screws and Si bronze #6 Helical lockwasher (Cat. No. 16-1096).
Furnished unassembled.
Terminal screws are tin dipped to facilitate soldering if required.

Heavy Duty Jan-S-23 Types

Screw Terminals — Brass designed to accept #6-32 x 4.78mm (.188") binding head (Cat. No. 811-2) screws.
Furnished unassembled.

Solder Lug Terminals — Tintillate plated brass.

**Medium Duty
MIL-S-83731 Types**

Solder Lugs — Brass silver plated furnished with 2.39mm (.094") dia. hole.

Base Material:

Thermoset molding material.

Mounting Means:

Threaded Bushing — 11.89mm (.468") dia., 32 threads/inch.

Keyway — 1.73 x .89mm deep (.068 x .035" deep) — provides anti-rotation feature.

Hardware Supplied —

MIL-S-83731 Types:

2 hexagon facenuts (Cat. No. 15-966-6), 1 locking ring (Cat. No. 29-761) and 1 internal tooth lockwasher (Cat. No. 16-886).
Furnished unassembled.

Jan-S-23 Types:

2 hexagon facenuts (Cat. No. 15-966-6).
Furnished unassembled.

Dielectric:

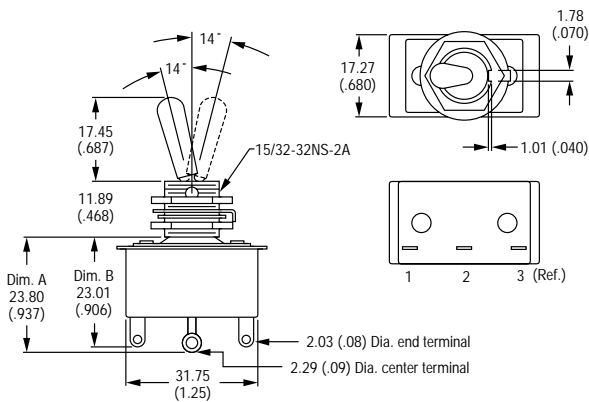
1000V RMS minimum.

Operating Temperature Range:

-17.8°C to +65.6°C (0°F to 150°F).

DIMENSIONS APPROXIMATE IN MM (INCHES)

1PDT MAINTAINED ACTION (SOLDER LUG)



8261K22
Medium Duty



8262K22
Medium Duty

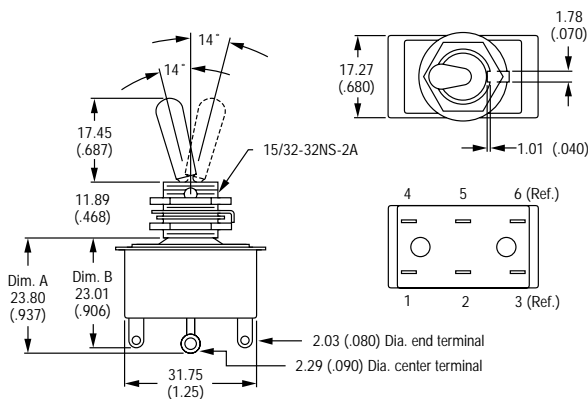


8801K22
Heavy Duty



8820K16
Heavy Duty


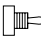
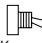
2PDT MAINTAINED ACTION (SOLDER LUG)



2 TOGGLE SWITCHES

Military Purpose Toggle Switches (continued) AC Rated (Heavy Duty) MIL-S-83731 Switches with Lever Seal

AC RATED (HEAVY DUTY) MIL-S-83731 SWITCHES SELECTION TABLE (BOLD FACE TYPE INDICATES ITEMS NORMALLY IN DISTRIBUTOR STOCK)

| Rating | Poles and Throw | Circuit with Toggle in | | | BASE CIRCUIT SEE PAGE 4.28 | Bushing Length "A" mm (inches) | Lever Length "B" mm (inches) | CATALOG NUMBERS | |
|--|----------------------|--|--|---|----------------------------|--|--|--|--|
| | | UP Position | CENTER Position | DOWN Position (Keyway) | | | | Screw Terminals with Sealed Lever | |
| | |  |  |  | | | | MS Part Number | Catalog Number |
| ONE POLE | | | | | | | | | |
| 1 1 2 2 2 2 | 1 P.S.T. | ON ON ON ON NONE OFF | NONE OFF NONE OFF* OFF NONE | OFF NONE OFF* NONE ON* ON* | A | 11.89 (.468) 11.89 (.468) 11.89 (.468) 11.89 (.468) 11.89 (.468) 11.89 (.468) | 17.45 (.687) 17.45 (.687) 17.45 (.687) 17.45 (.687) 17.45 (.687) 17.45 (.687) | MS35058-22 MS35058-24 MS35058-29 MS35058-25 MS35058-28 MS35058-30 | 8801K22 8801K23 8813K17 8813K18 8811K18 8811K17 |
| 1 1 2 2 2 | 1 P.D.T. | ON ON ON ON* | OFF NONE NONE OFF | ON ON ON* ON* | B | 11.89 (.468) 11.89 (.468) 11.89 (.468) 11.89 (.468) 11.89 (.468) | 17.45 (.687) 17.45 (.687) 17.45 (.687) 17.45 (.687) 17.45 (.687) | MS35058-21 MS35058-23 MS35058-26 MS35058-27 MS35058-31 | 8800K16 8810K15 8804K13 8812K14 8809K16 |
| TWO POLE | | | | | | | | | |
| 3 3 4 4 4 4 | 2 P.S.T. | ON ON ON ON NONE OFF | NONE OFF NONE OFF* OFF NONE | OFF NONE OFF* NONE ON* ON* | C | 11.89 (.468) 11.89 (.468) 11.89 (.468) 11.89 (.468) 11.89 (.468) 11.89 (.468) | 17.45 (.687) 17.45 (.687) 17.45 (.687) 17.45 (.687) 17.45 (.687) 17.45 (.687) | MS35059-22 MS35059-24 MS35059-29 MS35059-25 MS35059-28 MS35059-30 | 8822K20 8822K21 8828K13 8828K12 8826K14 8826K15 |
| 3 3 4 4 4 | 2 P.D.T. | ON ON ON ON* | OFF NONE NONE OFF | ON ON ON* ON* | D | 11.89 (.468) 11.89 (.468) 11.89 (.468) 11.89 (.468) 11.89 (.468) | 17.45 (.687) 17.45 (.687) 17.45 (.687) 17.45 (.687) 17.45 (.687) | MS35059-21 MS35059-23 MS35059-26 MS35059-27 MS35059-31 | 8820K16 8824K14 8830K13 8834K5 8832K6 |
| 5 5 5 5 5 5 | 1 P.3.T in a 2P Base | ON 3 ON 3 ON* 3 ON 3 ON 3 ON* 3 | ON 3 ON 3 ON 3 ON 3 ON 3 ON 3 | ON 10 ON* 10 ON 10 ON* 10 ON 10 ON* 10 | See Diagram On Page 4.28 | 11.89 (.468) 11.89 (.468) 11.89 (.468) 11.89 (.468) 11.89 (.468) 11.89 (.468) | 17.45 (.687) 17.45 (.687) 17.45 (.687) 17.45 (.687) 17.45 (.687) 17.45 (.687) | MS25201-4 MS25201-5 MS25201-6 MS25201-7 MS25201-8 MS25201-9 | 8860K4 8860K5 8860K6 8860K7 12 8860K8 12 8860K9 12 |
| FOUR POLE | | | | | | | | | |
| 6 6 7 7 7 | 4 P.S.T. | ON ON ON NONE OFF | NONE OFF OFF* OFF NONE | OFF NONE NONE ON* ON* | E | 11.89 (.468) 11.89 (.468) 11.89 (.468) 11.89 (.468) 11.89 (.468) | 17.45 (.687) 17.45 (.687) 17.45 (.687) 17.45 (.687) 17.45 (.687) | — MS25068-24 MS25068-25 MS25068-28 — | 7660K12 7660K13 7668K7 7666K9 7666K6 |
| 6 6 7 7 7 | 4 P.D.T. | ON ON ON ON* | OFF NONE NONE OFF | ON ON ON* ON* | F | 11.89 (.468) 11.89 (.468) 11.89 (.468) 11.89 (.468) 11.89 (.468) | 17.45 (.687) 17.45 (.687) 17.45 (.687) 17.45 (.687) 17.45 (.687) | MS25068-21 MS25068-23 MS25068-26 MS25068-27 MS25068-31 | 7662K7 7664K5 7674K5 7672K5 7670K6 |

* Momentary Contact.

CURRENT RATINGS

| Code From Selection Table | Switch | Type of Operation | CURRENT CAPACITY IN AMPERES PER POLE | | | | | | | | |
|---------------------------|---------|-------------------------|--------------------------------------|----------------|----------------|----------------|----------------|----------------|-----------------|----------------|----------------|
| | | | 28V dc | | | 115V ac, 60 Hz | | | 115V ac, 400 Hz | | |
| | | | Lamp Load | Resistive Load | Inductive Load | Lamp Load | Resistive Load | Inductive Load | Lamp Load | Resistive Load | Inductive Load |
| 1 2 | MS35058 | Maintained Momentary | 7 5 | 25 20 | 15 10 | — — | 10 10 | 10 7 | 3 — | 10 — | 10 — |
| 3 4 | MS35059 | Maintained Momentary | 7 5 | 20 18 | 15 10 | — — | 20 11 | — — | 4 — | 20 — | 15 — |
| 5 | MS25201 | ON-ON-ON | 5 | 18 | 10 | 2 | 11 | 8 | 2 | 11 | 8 |
| 6 7 | MS25068 | Maintained Momentary | 5 4 | 20 18 | 12 10 | — — | — — | — — | 4 2 | 20 11 | 15 5 |

3 Across terminals 2-3 and 5-6.
4 Across terminals 1-2 and 5-6.
10 Across terminals 1-2 and 4-5.
11 Across terminals 2-3 and 4-5.
12 For "INDEPENDENT ON-ON-ON" circuit arrangement see page 4.28.

DIMENSIONS APPROXIMATE IN MM (INCHES)

| ONE POLE MAINTAINED & MOMENTARY ACTION | TWO POLE MAINTAINED ACTION |
|---|--|
| <p>Keyway 0.76 (.030) Deep 1.52 (.060) Wide</p> <p>15/32-32 Thds.</p> <p>15.75 (.620)</p> <p>28.45 (1.120)</p> <p>26.42 (1.040)</p> <p>#6-32 x 4.57 (.180) Long Pan Head Screws</p> | <p>Keyway 0.76 (.030) Deep 1.52 (.060) Wide</p> <p>15/32-32 Thds.</p> <p>19.05 (.750)</p> <p>33.27 (1.310)</p> <p>26.92 (1.060)</p> <p>#6-32 X 6.35 (.250) Pan Head Screws</p> |
| TWO POLE MOMENTARY ACTION & 3 "ON" CIRCUITS | FOUR POLE MAINTAINED & MOMENTARY ACTION |
| <p>Keyway 0.76 (.030) Deep 1.52 (.060) Wide</p> <p>15/32-32 Thds.</p> <p>19.05 (.750)</p> <p>33.27 (1.310)</p> <p>30.48 (1.200)</p> <p>#6-32 X 6.35 (.250) Pan Head Screws</p> | <p>Keyway 0.76 (.030) Deep 1.52 (.060) Wide</p> <p>15/32-32 Thds.</p> <p>36.32 (1.430)</p> <p>33.53 (1.320)</p> <p>31.75 (1.250)</p> <p>#6-32 X 6.35 (.250) Long Pan Head Screws</p> |



8858K39
Heavy Duty



8859K44
Heavy Duty



7301K36
Heavy Duty



7310K38
Heavy Duty

2 TOGGLE SWITCHES

Military Purpose Toggle Switches (continued) AC Rated (Heavy Duty) MIL-S-83731 Lever Lock Switches with Lever Seal

AC RATED (HEAVY DUTY) MIL-S-83731 LEVER LOCK SWITCHES SELECTION TABLE (BOLD FACE TYPE INDICATES ITEMS NORMALLY IN DISTRIBUTOR STOCK)

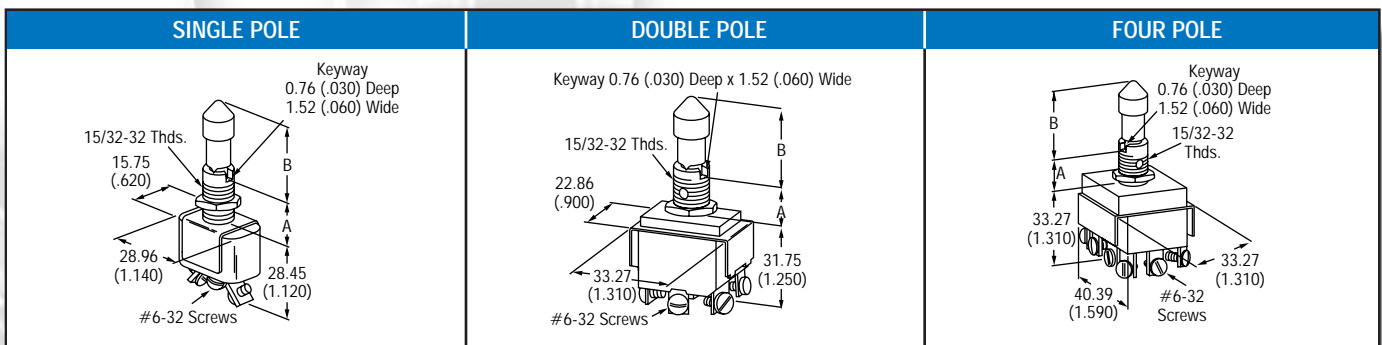
| Rating | Poles and Throw | Circuit with Toggle in | | | BASE CIRCUIT SEE PAGE 4.28 | Lever Lock Bushing Style (see below) | Bushing Length "A" mm (inches) | Lever Lock Length "B" mm (inches) | CATALOG NUMBERS | | | | |
|----------------------------------|-----------------|------------------------|-----------------|------------------------|----------------------------|--------------------------------------|--------------------------------|-----------------------------------|-----------------------------------|----------------|---------------|------------|---------|
| | | UP Position | CENTER Position | DOWN Position (Keyway) | | | | | Screw Terminals with Sealed Lever | | | | |
| | | | | | | | | | MS Part Number | Catalog Number | | | |
| ONE POLE | | ONE POLE | | | | | | | | | | | |
| 1 1 1 | 1 P.S.T. | ON | NONE | ←OFF | A | 3 | 14.27 (.562) | 25.40 (1.000) | MS25125-C2 | 8857K47 | | | |
| | | ON→ | NONE | ←OFF | | | | | 4 | 14.27 (.562) | 25.40 (1.000) | MS25125-E2 | 8857K48 |
| | | ON→ | ←OFF | NONE | | | | | 5 | 14.27 (.562) | 25.40 (1.000) | MS25125-J4 | 8857K49 |
| 1 1 1 | 1 P.D.T. | ON | ←OFF→ | ON | B | 2 | 14.27 (.562) | 25.40 (1.000) | MS25125-B1 | 8857K40 | | | |
| | | ON | ←OFF→ | ←ON | | | | | 3 | 14.27 (.562) | 25.40 (1.000) | MS25125-C3 | 8857K45 |
| | | ON→ | NONE | ←ON | | | | | 4 | 14.27 (.562) | 25.40 (1.000) | MS25125-E3 | 8857K44 |
| TWO POLE | | TWO POLE | | | | | | | | | | | |
| 2 2 2 | 2 P.D.T. | ON→ | ←OFF→ | ←ON | C | 1 | 14.27 (.562) | 25.40 (1.000) | MS25126-A1 | 8858K39 | | | |
| | | ON | ←OFF→ | ON | | | | | 2 | 14.27 (.562) | 25.40 (1.000) | MS25126-B1 | 8858K40 |
| | | ON→ | NONE | ←ON | | | | | 4 | 14.27 (.562) | 25.40 (1.000) | MS25126-E3 | 8858K44 |
| FOUR POLE | | FOUR POLE | | | | | | | | | | | |
| 3 | 4 P.D.T. | ON→ | NONE | ←ON | F | 4 | 14.27 (.562) | 25.40 (1.000) | MS25127-E3 | 8859K44 | | | |

← Indicates direction against which lever is locked.

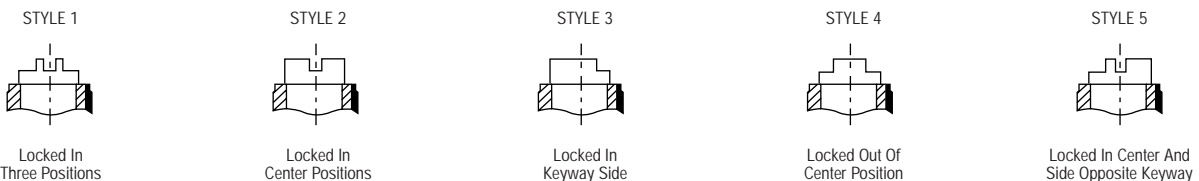
CURRENT RATINGS

| Code From Selection Table | Switch | Type of Operation | CURRENT CAPACITY IN AMPERES PER POLE | | | | | | | | |
|---------------------------|---------|-------------------|--------------------------------------|----------------|----------------|----------------|----------------|----------------|-----------------|----------------|----------------|
| | | | 28V dc | | | 115V ac, 60 Hz | | | 115V ac, 400 Hz | | |
| | | | Lamp Load | Resistive Load | Inductive Load | Lamp Load | Resistive Load | Inductive Load | Lamp Load | Resistive Load | Inductive Load |
| 1 | MS25125 | Maintained | 5 | 20 | 15 | — | — | — | 3 | 10 | 10 |
| 2 | MS25126 | Maintained | 7 | 20 | 15 | — | — | — | 4 | 20 | 15 |
| 3 | MS25127 | Maintained | 5 | 20 | 15 | — | — | — | 4 | 20 | 15 |

DIMENSIONS APPROXIMATE IN MM (INCHES)



LEVER LOCK BUSHING STYLES



1 For pictorial representation only — keyway on right hand side.



Military Purpose Toggle Switches (continued)

AC Rated (Heavy Duty) Military (Jan-S-23 Equivalents) with Unsealed Lever

AC RATED (HEAVY DUTY) MILITARY JAN-S-23 EQUIVALENTS SELECTION TABLE (BOLD FACE TYPE INDICATES ITEMS NORMALLY IN DISTRIBUTOR STOCK)

| Rating | Poles and Throw | Circuit with Toggle in | | | BASE CIRCUIT SEE PAGE 4.28 | Bushing Length "A" mm (inches) | Bushing Length "B" mm (inches) | CATALOG NUMBERS | | | | | |
|-----------------|-----------------|------------------------|-----------------|------------------------|----------------------------|--------------------------------|--------------------------------|-------------------------------------|----------------|-------------------------------------|----------------|--------|----------------|
| | | UP Position | CENTER Position | DOWN Position (Keyway) | | | | Solder Lug Terminals | | Screw Terminals | | | |
| | | | | | | | | Former Jan-S-23 with Unsealed Lever | Catalog Number | Former Jan-S-23 with Unsealed Lever | Catalog Number | | |
| ONE POLE | | | | | | | | | | | | | |
| 1 | 1 P.S.T. | ON | NONE | OFF | A | 11.89 (.468) | 17.45 (.688) | ST-42A | 7300K38 | ST-40A | 7300K36 | | |
| 2 | | ON | NONE | OFF* | | | | 11.89 (.468) | 17.45 (.688) | ST-42B | 7304K38 | ST-40B | 7304K36 |
| 2 | | OFF | NONE | ON* | | | | 11.89 (.468) | 17.45 (.688) | ST-42C | 7303K38 | ST-40C | 7303K36 |
| 1 | 1 P.D.T. | ON | OFF | ON | B | 11.89 (.468) | 17.45 (.688) | ST-42E | 7301K38 | ST-40E | 7301K36 | | |
| 1 | | ON | NONE | ON | | | | 11.89 (.468) | 17.45 (.688) | ST-42D | 7302K38 | ST-40D | 7302K36 |
| 2 | | ON | NONE | ON* | | | | 11.89 (.468) | 17.45 (.688) | ST-42F | 7307K38 | ST-40F | 7307K36 |
| 2 | | ON* | OFF | ON* | | | | 11.89 (.468) | 17.45 (.688) | ST-42G | 7306K38 | ST-40G | 7306K36 |
| 2 | | ON | OFF | ON* | | | | 11.89 (.468) | 17.45 (.688) | ST-42H | 7305K38 | ST-40H | 7305K36 |
| TWO POLE | | | | | | | | | | | | | |
| 3 | 2 P.S.T. | ON | NONE | OFF | C | 11.89 (.468) | 17.45 (.688) | ST-52K | 7310K38 | ST-50K | 7310K36 | | |
| 4 | | ON | NONE | OFF* | | | | 11.89 (.468) | 17.45 (.688) | ST-52L | 7314K38 | ST-50L | 7314K36 |
| 4 | | OFF | NONE | ON* | | | | 11.89 (.468) | 17.45 (.688) | ST-52M | 7313K38 | ST-50M | 7313K36 |
| 3 | 2 P.D.T. | ON | OFF | ON | D | 11.89 (.468) | 17.45 (.688) | ST-52P | 7311K38 | ST-50P | 7311K36 | | |
| 3 | | ON | NONE | ON | | | | 11.89 (.468) | 17.45 (.688) | ST-52N | 7312K38 | ST-50N | 7312K36 |
| 4 | | ON | NONE | ON* | | | | 11.89 (.468) | 17.45 (.688) | ST-52R | 7317K38 | ST-50R | 7317K36 |
| 4 | | ON* | OFF | ON* | | | | 11.89 (.468) | 17.45 (.688) | ST-52S | 7316K38 | ST-50S | 7316K36 |
| 4 | | ON | OFF | ON* | | | | 11.89 (.468) | 17.45 (.688) | ST-52T | 7315K38 | ST-50T | 7315K36 |

* Momentary Contact.

CURRENT RATINGS

| Code From Selection Table | Type of Operation | CURRENT CAPACITY IN AMPERES PER POLE | | | | | | | | |
|---------------------------|----------------------|--------------------------------------|----------------|----------------|----------------|----------------|-------------|----------------|----------------|-------------|
| | | 30V dc | | | 125V ac, 60 Hz | | | 250V ac, 60 Hz | | |
| | | Lamp Load | Resistive Load | Inductive Load | Resistive Load | Inductive Load | Horse Power | Resistive Load | Inductive Load | Horse Power |
| ONE POLE | | | | | | | | | | |
| 1 | Maintained Momentary | 5 | 20 | 15 | 15 | — | — | 6 | — | — |
| 2 | | 4 | 15 | 10 | 15 | — | — | 6 | — | — |
| TWO POLE | | | | | | | | | | |
| 3 | Maintained Momentary | 7 | 30 | 15 | 25 | — | — | 9 | — | — |
| 4 | | 5 | 20 | 10 | 15 | — | — | 6 | — | — |

DIMENSIONS APPROXIMATE IN MM (INCHES)

