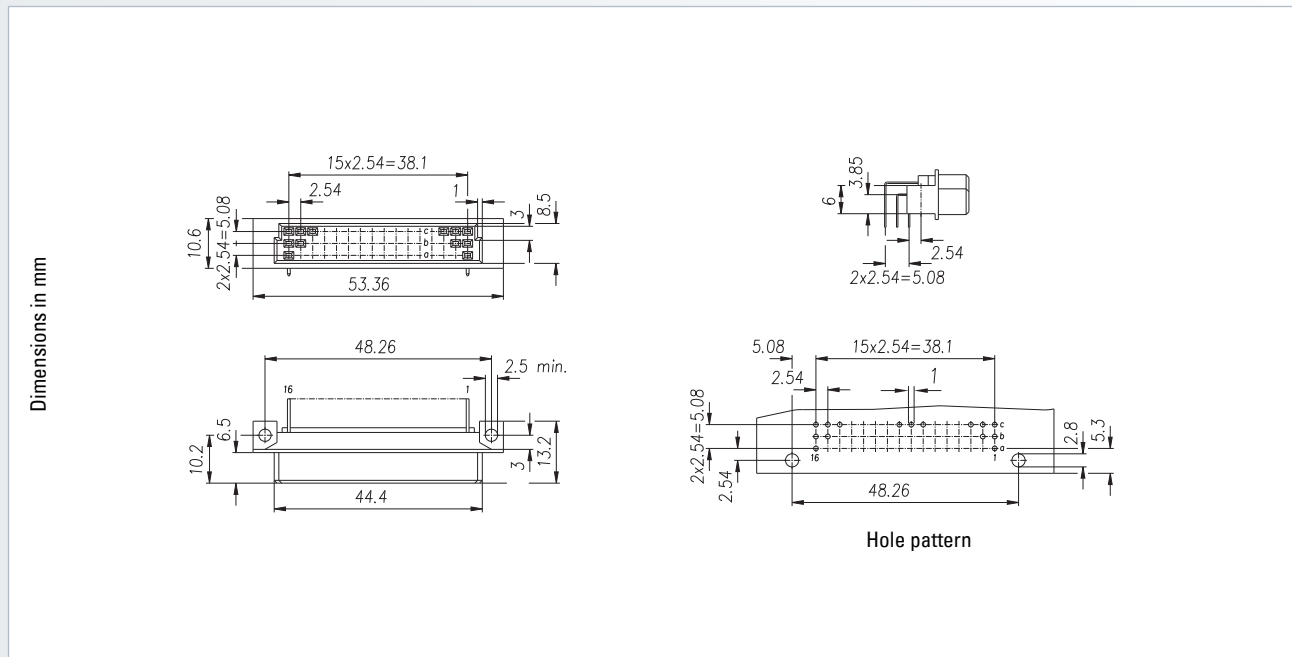


Connectors according to DIN 41612 / IEC 60603-2

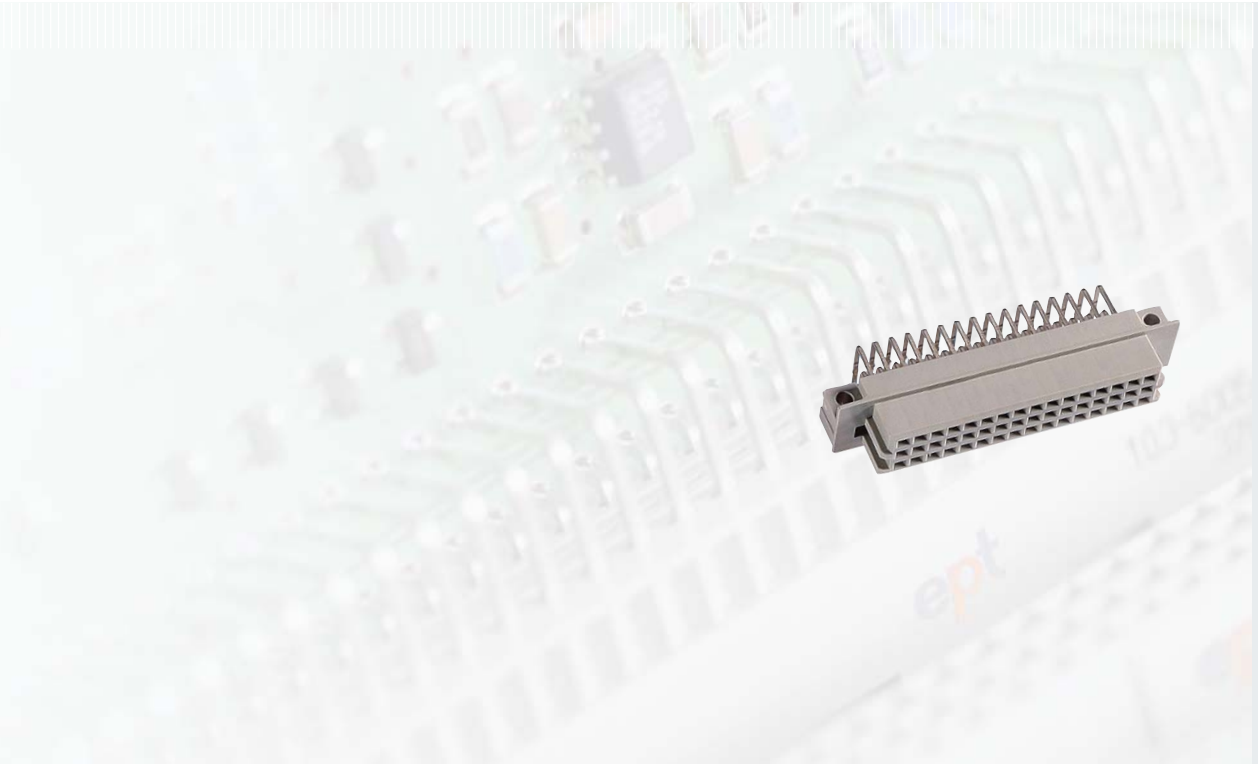
Type R/2

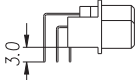
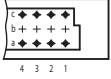
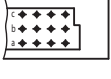
Female connector



No. of contacts	Contact arrangement	Press-fit technology – Performance level II
		Termination length
		Part number
32		116-69054
48		116-69064

Accessories <ul style="list-style-type: none"> – Press-fit tool (see page 210) – Support tool (see page 211) 	On request <ul style="list-style-type: none"> – Performance levels I + III or customer-specific – Special contact length 	Options <ul style="list-style-type: none"> – Without flange – Contact arrangement (see page 162)
---	---	---



No. of contacts	Contact arrangement	Solder technology – Performance level II	
		Termination length	
			
		Part number	
32		116-90054	
48		116-90064	

On request

- Performance levels I + III or customer-specific
- Special contact length
- Also in THTR

Options

- Board lock (see page 159)
- Contact arrangement (see page 162)