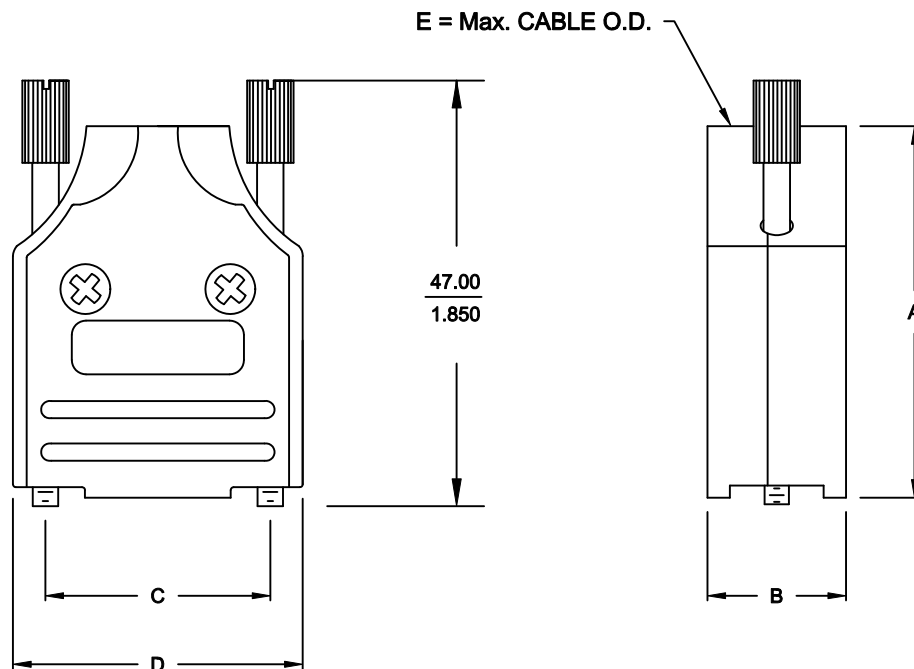


BACKSHELL KIT INCLUDES:

- (2) BACKSHELL HALVES
- (2) STRAIN RELIEF CLAMPS
- (2) STRAIN RELIEF SCREWS
- (2) MOUNTING SCREWS
- (2) THUMBSCREWS
- (1) SET METALIZED PLASTIC INSERTS - VARIOUS SIZES,
6.2mm (0.244"), 8.2mm (0.323"), 10.2mm (0.402")

DIMENSIONS (mm/in)					
SIZE:	A ± 0.25 ± 0.010	B ± 0.25 ± 0.010	C ± 0.13 ± 0.005	D ± 0.25 ± 0.010	E
09	41.30	15.39	24.99	32.21	13.00
	1.626	0.606	0.984	1.268	0.512
15	43.31	15.39	33.32	40.59	13.00
	1.705	0.606	1.312	1.598	0.512
25	49.50	15.39	47.04	54.51	13.00
	1.949	0.606	1.852	2.146	0.512
37	54.31	15.39	63.50	70.69	13.00
	2.138	0.606	2.500	2.783	0.512



ORDERING INFORMATION:

SIZE:	P/N - KITTED:	PRODUCT CODE:
9-WAY	6560-0136-01	MHDM-09-K
15-WAY	6560-0136-02	MHDM-15-K
25-WAY	6560-0136-03	MHDM-25-K
37-WAY	6560-0136-04	MHDM-37-K

SIZE:	P/N - BULK:	PRODUCT CODE:
9-WAY	6561-0136-01	MHDM-09
15-WAY	6561-0136-02	MHDM-15
25-WAY	6561-0136-03	MHDM-25
37-WAY	6561-0136-04	MHDM-37

SPECIFICATION:

- BACKSHELL: MATERIAL: DIE CAST ZINC NICKEL PLATED
- COMPRESSION INSERT: ABS - UL RECOGNIZED
- 4-40 THUMBSCREWS: STEEL - Zn PLATED
- HOUSING SCREWS: STEEL - Zn PLATED
- STRAIN RELIEF CLAMP: STEEL - NICKEL PLATED
- STRAIN RELIEF SCREWS: STEEL - Zn PLATED
- OPERATING TEMP: -40°C TO +120°C

THESE DRAWINGS AND SPECIFICATIONS ARE THE PROPERTY OF MH CONNECTORS LTD. AND SHALL NOT BE REPRODUCED, COPIED OR USED AS THE BASIS FOR THE MANUFACTURE OR SALE OF APPARATUS WITHOUT WRITTEN PERMISSION.

DRAWN	DATE
P. JENKINS	03-14-12

APPROVED	DATE
D. CROFT	03-14-12

SCALE	SHEET	OF	REV:
NTS	1	1	A

DRAWING No
MHDM SERIES

RoHS COMPLIANT



MH CONNECTORS LTD.