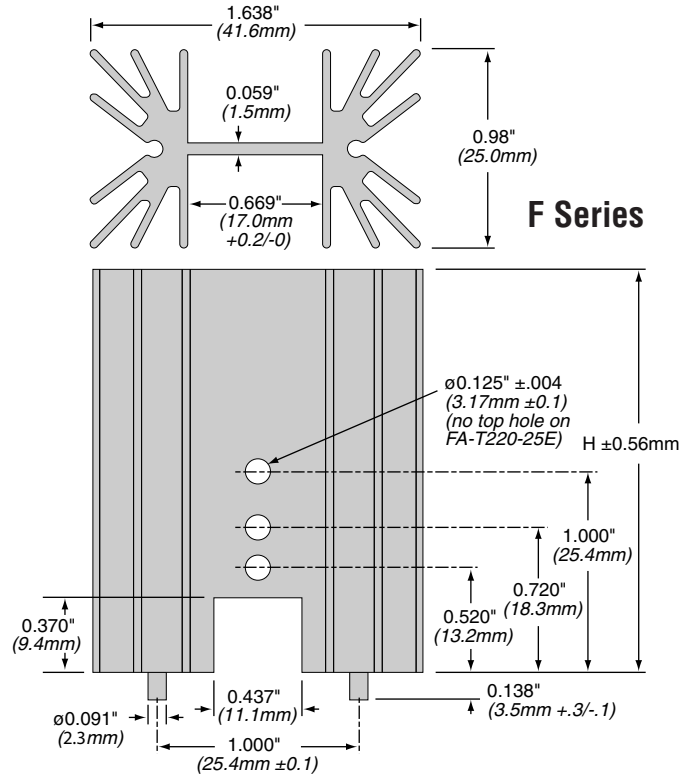
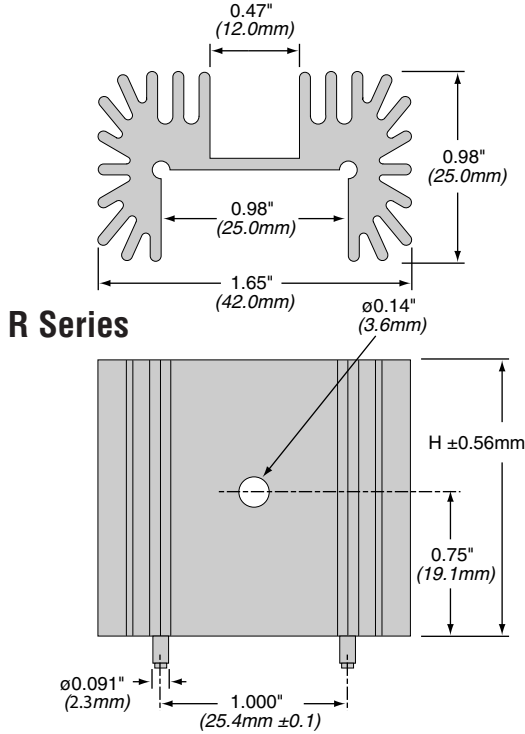


# F and R Series Heatsinks

For TO-218, TO-220 and TO-247 devices



Heatsink Part Number	Height (in. ±.010 / mm ±.25)	For Package Type	Ohmite Resistor Series	Surface Area (mm <sup>2</sup> )	Weight (g)	Thermal Resistance* (°C/W)
RA-T2X-25E	1.0/25.4	TO-220, -218, -247	TBH25,TCH35, TEH70, TEH100	8,901	25	4.8
RA-T2X-38E	1.5/38.1	TO-220, -218, -247	TBH25,TCH35, TEH70, TEH100	12,983	38	3.9
RA-T2X-51E	2.0/50.8	TO-220, -218, -247	TBH25,TCH35, TEH70, TEH100	17,065	51	3.5
RA-T2X-64E	2.5/63.5	TO-220, -218, -247	TBH25,TCH35, TEH70, TEH100	21,148	63	3.1
FA-T220-25E	1.0 / 25.4	TO-220	TBH25,TCH35	9,285	18	4.7
FA-T220-38E	1.5 / 38.1	TO-220	TBH25,TCH35	13,756	27	3.8
FA-T220-51E	2.0 / 50.8	TO-220	TBH25,TCH35	18,222	37	3.4
FA-T220-64E	2.5 / 63.5	TO-220	TBH25,TCH35	22,814	46	3

\*Natural convection

## FEATURES

- For vertical mounting with solderable pins
- For TO-220, TO-218, TO-247

## SPECIFICATIONS

- Finish:** Black anodized
- Material:** 6063-T5 aluminum
- Solder:** 100% Tin (Sn)
- PC board attachment:** 0.091" dia. pre-tinned pins.

### ORDERING INFORMATION

Series: F or R, T2X = R Series, T220 = F Series, RoHS Compliant

**RA - T2X - 25E**

Finish: A = black anodized, V = degreased

Height (mm): 25

### STANDARD PART NUMBERS FOR F AND R SERIES

Part Number	Description	Packaging
RA-T2X-25E	Heat sink for TO-220, TO-218, TO-247, Black Anodized	Bulk
RA-T2X-38E	Heat sink for TO-220, TO-218, TO-247, Black Anodized	Bulk
RA-T2X-51E	Heat sink for TO-220, TO-218, TO-247, Black Anodized	Bulk
RA-T2X-64E	Heat sink for TO-220, TO-218, TO-247, Black Anodized	Bulk
FA-T220-25E	Heat sink for TO-220, Black Anodized	Bulk
FA-T220-38E	Heat sink for TO-220, Black Anodized	Bulk
FA-T220-51E	Heat sink for TO-220, Black Anodized	Bulk
FA-T220-64E	Heat sink for TO-220, Black Anodized	Bulk

## HEAT DISSIPATION

