

# multipacPRO



Overview ..... 0

Cabinets ..... 1

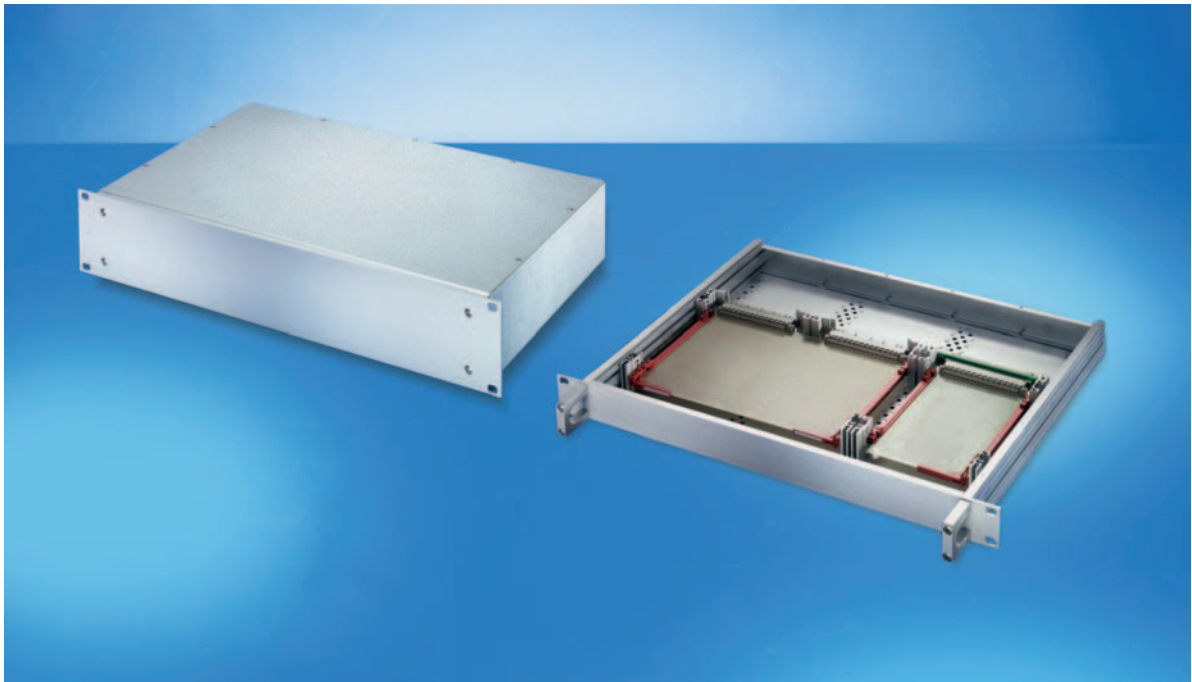
Wall mounted cases ..... 2

Accessories for cabinets and wall mounted cases .... 3

Climate control .... 4

Desk-top cases .... 5

**19" chassis - multipacPRO**



0600200306002001

**Subracks/  
19" chassis ..... 6**

**Standards/certifications**

- External dimensions in accordance with IEC 602973
- Type of protection IP 20 in accordance with IEC 60529
- EMC test in accordance with VG 95373 part

**Modifications**

- Special colours
- Special depths and widths
- **Front Panel Express:** customised cut-outs in front panels, rear panels, cover and base plates
- Base plate with integrated rear panel
- Customised assembly service

**Note**

- Where finish is identified as being chromated this provides a conductive surface to maintain high levels of EMC shielding effectiveness

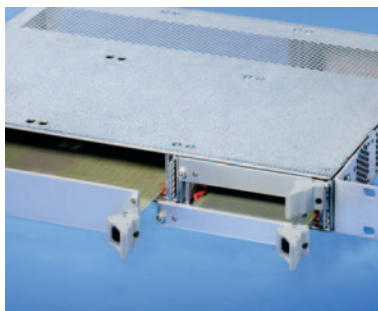
**FRONT PANEL  
FAST TRACK**

**Modification examples**



Different cut-outs

06002006



Combined 3 U and 6 U assembly

06002007



2 U version with 2 x 3 U assembly

06002005

For further application examples, see multipac on the Internet

Front panels, plug-in units ..... 7


Systems ..... 8

Power supply units ..... 9

Backplanes ..... 10

Connectors, front panel component system ..... 11

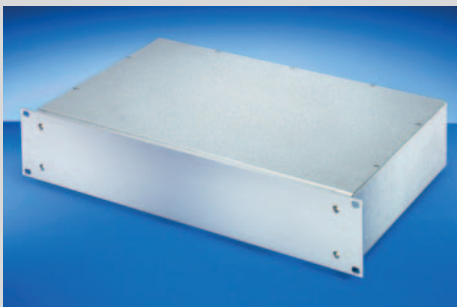
Appendix ..... 12

 **Further important information can be found on the internet under [www.schroff.biz](http://www.schroff.biz)**



## 19" chassis for horizontal board assembly (standardised) and non-standardised components

- EMC shielding can be retrofitted
- Versions made of Aluminium or Steel (zinc-plated, AlZn coated)
- Use of telescopic slides possible



06002003

### 19" complete chassis

- 1, 2 U
- Al front panel, St chassis (AlZn coating)

19" complete chassis ..... 6.78

## Configuration of 19" chassis



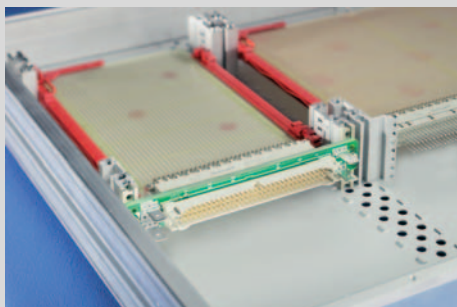
06002004

### 19" chassis for non-standardised assembly

- For the assembly of power supplies with chassis plate, boards...
- 1 ... 5 U
- Al front panel, Al extrusion

Configuration of 19" chassis ..... 6.79  
19" chassis for non-standardised components . . . . . 6.80

(Basic frame, chassis plate, covers, front handles, assembly kit for assembly of telescopic slides)



06004002

### 19" chassis for standardised assembly, IEC 60297

- For the assembly of a connector (EN 60603) or isolated backplanes
- 1, 2 U
- Al front panel, Al extrusion

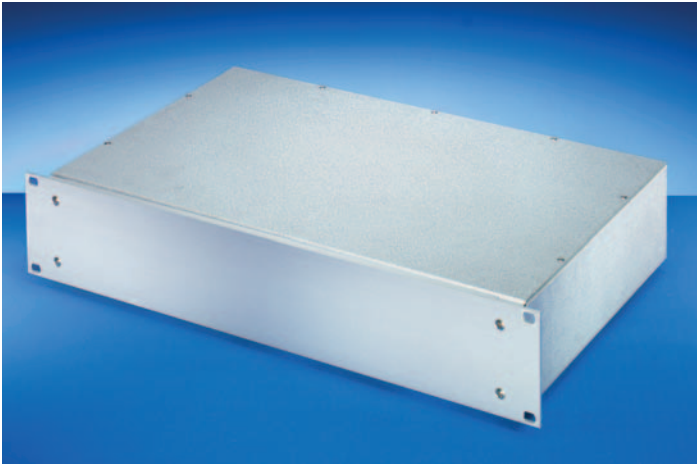
19" chassis for standardised 19" components .... 6.82

(Basic frame, base plate, internal configuration, front handles, assembly kit for assembly of telescopic slides)

Guide rails . . . . . 6.84

# 19" chassis - *multipacPRO*

## 19" complete chassis



06002003

- Complete chassis, St (AlZn coated), with Al extrusion front panel
- Detachable rear panel for easy assembly
- 19" and ATX power supplies can be assembled in the 1 U version up to a clearance of 40 mm

### Delivery comprises (kit)

Item	Qty	Description
1	1	Front panel, Al extrusion, 2 mm, front anodised, rear etched (at 1 U), colourless chromated front and rear side of the front panel, from 2 U clear chromated
2	1	Base body plain, St, 1mm, (AlZn coated)
3	1	Rear panel, St, 1mm, (AlZn coated)
4	1	Cover plain, St, 1mm, (AlZn coated)
5	1	Assembly kit

### Order Information

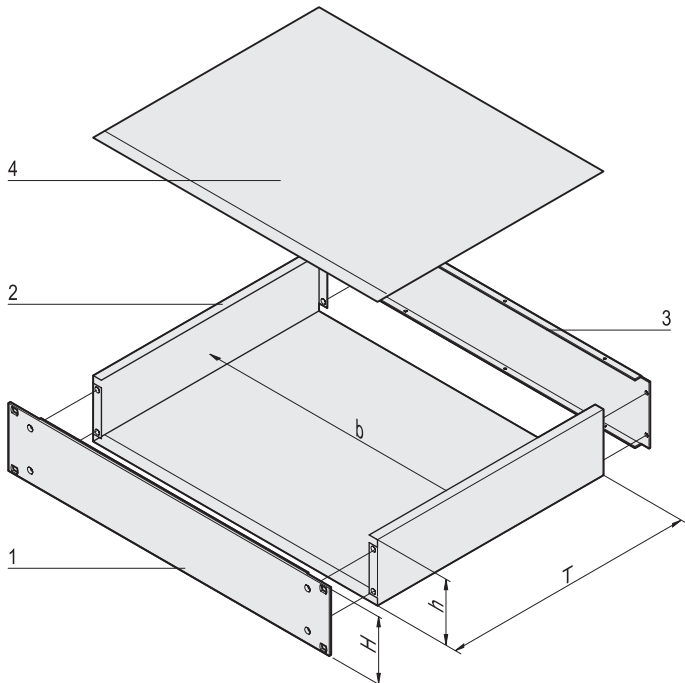
Height U	Height H mm	Depth T mm	Order no.
1	43.7	220	<b>20860-120</b>
1	43.7	280	<b>20860-121</b>
1	43.7	340	<b>20860-122</b>
2	88.1	280	<b>20860-126</b>
2	88.1	340	<b>20860-127</b>
<b>Front handles</b> For 1 U, Al extrusion, anodised, PU 2 pieces			<b>20860-256</b>
<b>Front handles</b> For 2 U, Al extrusion, anodised, PU 2 pieces			<b>20860-257</b>

### Note

- Further dimensions available on request
- Use of telescopic slides not possible
- No EMC version available
- Internal configuration kits cannot be used



For further information [www.schroff.biz/oneclick](http://www.schroff.biz/oneclick)  
oneClick code = Order no.



06002051

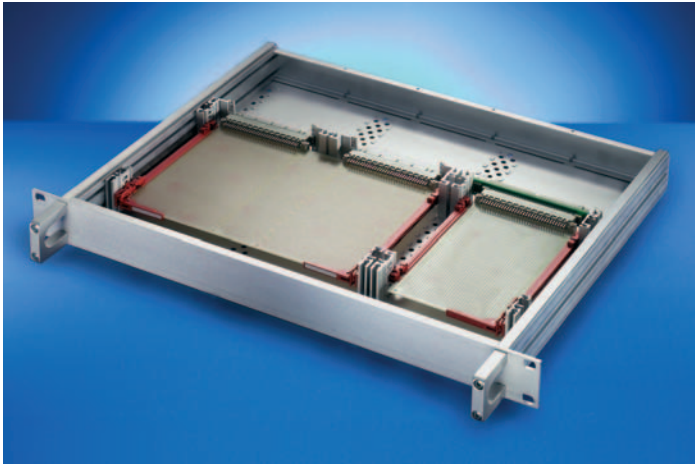
$h = \text{clearance (height } H - 30)$ ,  $w = \text{clearance width} = 447 \text{ mm}$





# 19" chassis - *multipacPRO*

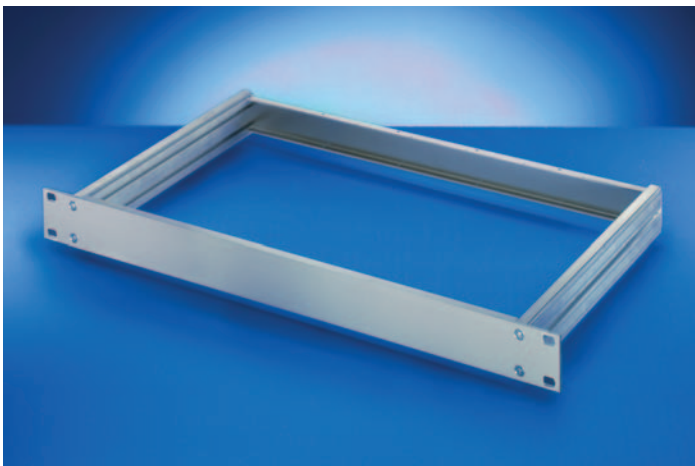
## Configuration of 19" chassis



Example for standardised configuration

06002001

- Choose height and depth of the basic kit
- Choose further components
- For **non-standardised** versions (1 ... 5 U)
  - Chassis plate
  - Cover
  - Front handles
  - EMC gasket
  - Telescopic slides
- For **standardised** versions (1, 2 U) in accordance with IEC 60297
  - Support cover for horizontal board assembly
  - Internal configuration for connector or backplane assembly
  - Front handles
  - EMC gasket
  - Telescopic slides



Basic kit

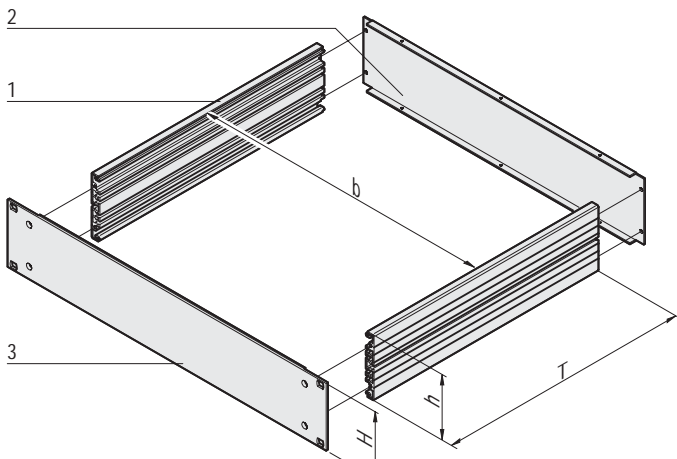
06002004

### Delivery comprises (basic kit)

Item	Qty	Description
1	2 (4)	Al extrusion (2 pieces from 5 U)
2	1	Rear panel, Al, 2 mm, clear chromated
3	1	Front panel, Al extrusion, 3 mm, front anodised, rear etched (at 1U), front and rear side of the front panel from clear chromated (at 2U)
4	1	Assembly kit and user manual
5	1	EMC gasket profile kit (only at 5 U)

### Note

- $h$  = clearance height =  $H - 8.1$  mm
- $b$  = clearance width = 403 mm
- Non-standardised assembly (1 ... 5 U), see page 6.80
- Standardised assembly (1, 2 U), see page 6.82



Dimensions basic kit

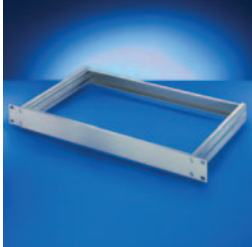
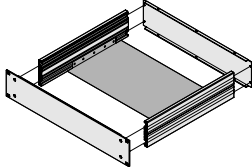
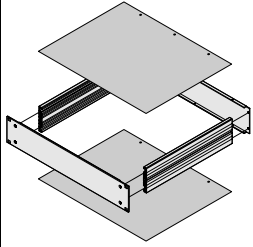
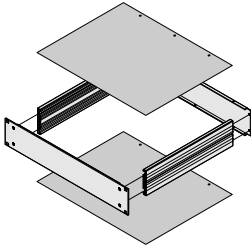
06002050

# 19" chassis - *multipacPRO*

## 19" chassis for non-standardised components

- Select
  - Height and depth of the basic kit (1 ... 5 U)
  - Chassis plate
  - Cover plate
  - Front handles
  - EMC gasket
  - Telescopic slides

### Order Information

Height U	Height mm	Width W HP	Depth D mm	Basic frame	Chassis plate	Cover plate,	
						plain	perforated
				 <p>06002004</p> <p>Frame, Al extrusion, front panel, Al, rear panel, Al, (5 U 2 pieces and with EMC shielding)</p>	 <p>06002058</p> <p>For heavy components, Al, 2 mm</p>	 <p>06002053</p> <p>Pushed into basic frame, Al, 1 mm, clear chromated, please order EMC gasket separately</p>	 <p>06002053</p> <p>Pushed into basic frame, Al, 1 mm, clear chromated, hole diameter 4 mm, degree of perforation 58 %</p>
				1 piece	1 piece	1 piece	1 piece
5	43.7	84	220	<b>20860-201</b>	<b>20860-107</b>	<b>30860-501</b>	<b>30860-510</b>
5	43.7	84	280	<b>20860-202</b>	<b>20860-108</b>	<b>30860-502</b>	<b>30860-511</b>
5	43.7	84	340	<b>20860-203</b>	<b>20860-109</b>	<b>30860-503</b>	<b>30860-512</b>
2	88.1	84	220	<b>20860-210</b>	<b>20860-107</b>	<b>30860-501</b>	<b>30860-510</b>
2	88.1	84	280	<b>20860-211</b>	<b>20860-108</b>	<b>30860-502</b>	<b>30860-511</b>
2	88.1	84	340	<b>20860-212</b>	<b>20860-109</b>	<b>30860-503</b>	<b>30860-512</b>
3	132.6	84	280	<b>20860-219</b>	<b>20860-108</b>	<b>30860-502</b>	<b>30860-511</b>
3	132.6	84	340	<b>20860-220</b>	<b>20860-109</b>	<b>30860-503</b>	<b>30860-512</b>
3	132.6	84	400	<b>20860-221</b>	<b>20860-110</b>	<b>30860-504</b>	<b>30860-513</b>
3	132.6	84	460	<b>20860-222</b>	<b>20860-111</b>	<b>30860-505</b>	<b>30860-514</b>
4	177.0	84	280	<b>20860-228</b>	<b>20860-108</b>	<b>30860-502</b>	<b>30860-511</b>
4	177.0	84	340	<b>20860-229</b>	<b>20860-109</b>	<b>30860-503</b>	<b>30860-512</b>
4	177.0	84	400	<b>20860-230</b>	<b>20860-110</b>	<b>30860-504</b>	<b>30860-513</b>
4	177.0	84	460	<b>20860-231</b>	<b>20860-111</b>	<b>30860-505</b>	<b>30860-514</b>
5	221.5	84	460	<b>20860-240</b>	<b>20860-111</b>	<b>30860-505</b>	<b>30860-514</b>

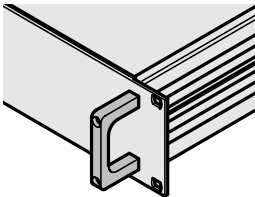
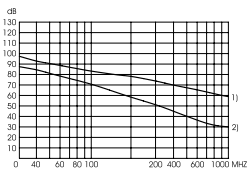

### Note

- Further dimensions available on request

# 19" chassis - *multipacPRO*

## 19" chassis for non-standardised components

### Order Information

				Front handles	EMC gasket	Telescopic slides assembly kit
				 <p>06002052</p> <p>Al extrusion, anodised</p>	 <p>ESA44237</p> <p>To increase EMC shielding; delivery comprises, see page 6.85</p>	 <p>06094004</p> <p>For assembly of 19" chassis on telescopic slides, please order telescopic slides separately, see chapter cabinets - accessories</p>
Height U	Height mm	Width W HP	Depth D mm	PU 2 pieces	PU 1 kit	PU 1 kit
5	43.7	84	220	<b>20860-256</b>	<b>20860-130</b>	<b>21101-622</b>
5	43.7	84	280			
5	43.7	84	340			
2	88.1	84	220	<b>20860-257</b>		
2	88.1	84	280			
2	88.1	84	340			
3	132.6	84	280	<b>20860-258</b>		
3	132.6	84	340			
3	132.6	84	400			
3	132.6	84	460			
4	177.0	84	280	<b>20860-259</b>		
4	177.0	84	340			
4	177.0	84	400			
4	177.0	84	460			
5	221.5	84	460	<b>20860-260</b>		

#### Note

- Further dimensions available on request

# 19" chassis - *multipacPRO*

## 19" chassis for standardised 19" components

- Select
  - Height and depth of the basic kit (1, 2 U)
  - Support cover for horizontal board assembly
  - Internal configuration for connector or backplane assembly
  - Front handles
  - EMC gasket
  - Telescopic slides

### Order Information

Height U	Height mm	Width W HP	Depth D mm	Basic frame	Support cover for horizontal board assembly	Internal configuration	
				06002004 Frame, Al extrusion, front panel, Al, rear panel Al	06002053 Al, 1 mm, clear chromated	for connector EN 60603 06003050 Horizontal rail for 3 and 6 U boards	for insulated backplane assembly 06003051 Horizontal rails, threaded inserts, insulation strips for 3 and 6 U boards
				1 piece	1 piece	PU 1 kit	PU 1 kit
1	43.7	84	220	<b>20860-201</b>	<b>30860-519</b>	<b>20860-115</b>	<b>20860-116</b>
1	43.7	84	280	<b>20860-202</b>	<b>30860-520</b>	<b>20860-115</b>	<b>20860-116</b>
1	43.7	84	340	<b>20860-203</b>	<b>30860-521</b>	<b>20860-115</b>	<b>20860-116</b>
2	88.1	84	220	<b>20860-210</b>	<b>30860-519</b>	<b>20860-117</b>	<b>20860-118</b>
2	88.1	84	280	<b>20860-211</b>	<b>30860-520</b>	<b>20860-117</b>	<b>20860-118</b>
2	88.1	84	340	<b>20860-212</b>	<b>30860-521</b>	<b>20860-117</b>	<b>20860-118</b>

### Note

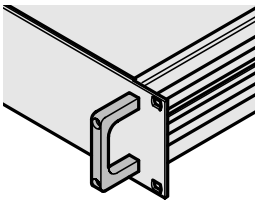
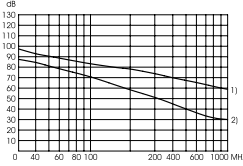

- Further dimensions available on request



# 19" chassis - *multipacPRO*

19" chassis for standardised 19" components

## Order Information

				Front handles	EMC gasket	Assembly kit for telescopic slides
				 <p>06002052</p> <p>Al extrusion, anodised</p>	 <p>ESA44237</p> <p>To increase EMC shielding; delivery comprises, see page 6.85</p>	 <p>06094004</p> <p>For mounting of 19" chassis on telescopic slides, please order telescopic slides separately, see chapter cabinet - accessories</p>
Height U	Height mm	Width W HP	Depth D mm	PU 2 pieces	PU 1 Kit	PU 1 Kit
1	43.7	84	220	<b>20860-256</b>	<b>20860-130</b>	<b>21101-622</b>
1	43.7	84	280			
1	43.7	84	340			
2	88.1	84	220	<b>20860-257</b>	<b>20860-130</b>	<b>21101-622</b>
2	88.1	84	280			
2	88.1	84	340			

### Note

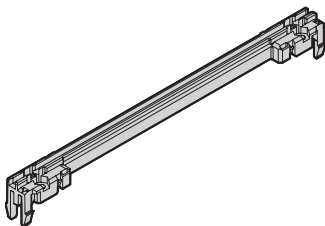
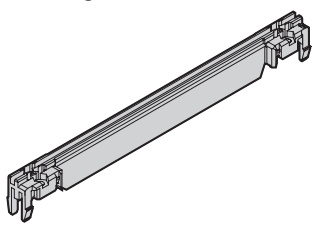
- Further dimensions available on request

# 19" chassis - *multipacPRO*

## Guide rails

- For printed board lengths: 100, 160, 220, 280, 340 mm
- Material: up to 280 mm length PBT UL 94-V-0, > 280 mm length, head piece PBT UL 94-V-0, middle part Al extrusion, strengthened version
- Guide rails:
  - Can be plugged into horizontal rails made of Al extrusion
  - Can be plugged into metal which is 1.5 mm thick
- Printed board retainer, printed board handle see Accessories

## Order Information

			Guide rails				
			"accessories"			"strengthened accessories"	
							
				BZA45829			BZA46554
Board length mm	Groove width mm	Colour	PU 2) 10 pieces	SPQ 1) 50 pieces			SPQ 1) 50 pieces
100	2	red	–	<b>64560-082</b>			–
160	2	red	<b>24560-373</b>	<b>64560-005</b>			<b>64560-076</b>
160	2	grey	–	<b>64560-055</b>			–
220	2	red	<b>24560-374</b>	<b>64560-006</b>			<b>64560-078</b>
220	2	grey	–	<b>64560-166</b>			–
280	2	red/silver	<b>24560-375</b>	–			–
280	2	red	–	–			<b>64560-080</b>
340	2	red/silver	<b>24560-376</b>	–			–

## Accessories

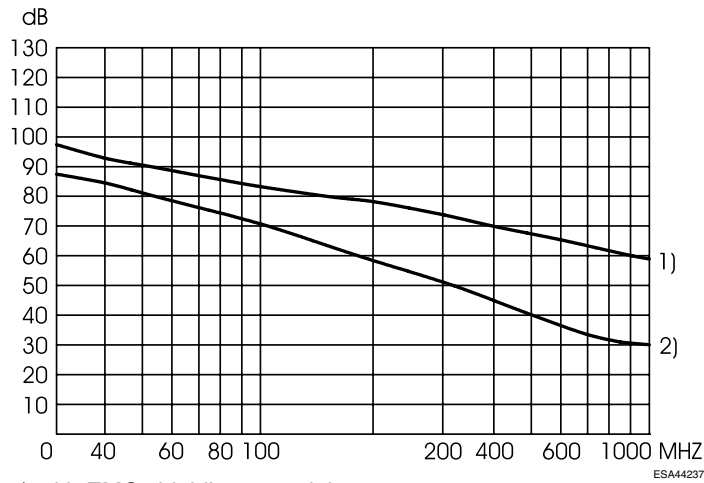
Printed board retainer, red, PU 10 pieces	<b>24560-377</b>
Printed board handle, red, PU 10 pieces	<b>24560-378</b>
Identification strips for printed board handle, red, PU 1 sheet = 438 pieces	<b>60817-228</b>
ESD clip, PU 50 pieces	<b>24560-255</b>
Retention screw, PU 100 pieces	<b>24560-141</b>

1) Delivery may be in Standard Pack Quantity (SPQ). Please order the 'SPQ' quantity or a multiple. Pricing is per individual item.

2) Order no. comprises one Packaging Unit (PU); multiple items in one pack. Pricing per PU.

# 19" chassis - *multipacPRO*

## EMC gasket kit



- 1) with EMC shielding material  
2) without EMC shielding material

- A high EMC shielding is achieved with the EMC gasketing and cover plates

### Delivery comprises (kit)

Item	Qty	Description
1	1	Seal 2100 mm; silicone / nickel, connection side panel / cover
2	2	Saw tooth 400 mm; stainless steel; connection front panel / cover

### Order Information

Description	Order no.
EMC gasket kit	<b>20860-130</b>

### Note

- EMC test report on the Internet



For further information [www.schroff.biz/oneclick](http://www.schroff.biz/oneclick)  
oneClick code = Order no.