



Deutsche Version

Home
About Us

Products

- Audio**
- Video
- Lighting
- Data Connectors
- Industrial

Support
News
Sitemap

Search

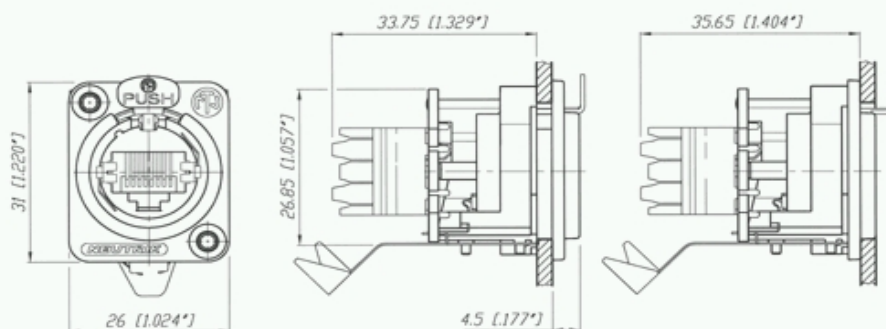
PRODUCTS ONLY

Search

© Neutrik® AG
All rights reserved
Legal Notices



NE8FDV-Y110-B



Product

Connector Type	RJ45
Gender	female

Electrical

Contact resistance	< 10 mΩ
Dielectric strength	1 kVdc
Frequencyrange	1 - 100 MHz
Insulation resistance	> 0.5 GΩ
Rated current per contact	1,5 A
Rated voltage	50 V
Transmission performance	CAT 5e
Standard compliance	TIA/EIA 586B, IEC11801

Mechanical

Insertion force	≤ 20 N
Withdrawal force	≤ 20 N
Lifetime	> 1000 mating cycles
Panel thickness	max. 4 mm 0.16"
Wire size	0.14 - 0.5 mm ²
Wire size	26 - 20 AWG
Wiring	IDC 110 punch down terminals (2 mounting screws included)
Locking device	latch lock
Mounting direction	front & rear
Chassis shape	D

Material

Contact plating	0.2 μm Au over Ni plating
Contacts	Bronze (CuSn8)
Insert	PBTP 15 % GR
Shell	Zinc diecast (ZnAl4Cu1)
Shell plating	Black chromium
Strain relief	CuZn35Pb2, Tin plated

Environmental

Flammability	UL 94 V-0
Temperature range	-30 °C to +80 °C