

6200N Series

Tubeaxial

Ø 172x51mm

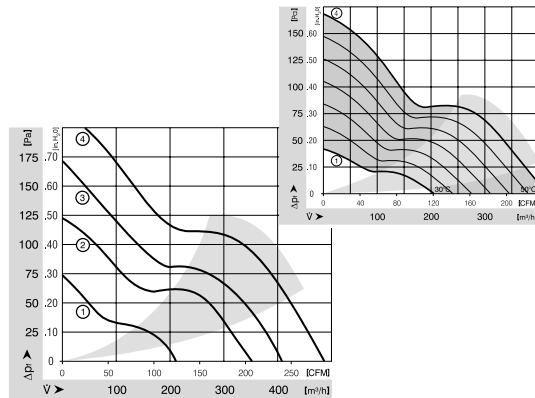
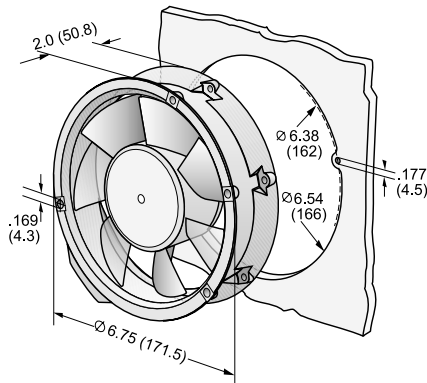


- DC fans with electronically commutated external rotor motor. Fully integrated commutation electronics. With electronic protection against reverse polarity and blocking; electronic motor current limitation in the start-up phase when rotor is blocked.
- Metal fan housing, impeller of fiber-glass reinforced plastic PA.
- Air exhaust over struts. Rotational direction CCW looking at rotor.
- Electrical connection via 2 flat pins 3 x 0.5 mm. Housing with ground lug for screw M4 x 8 (TORX).
- UL, CSA, VDE approvals on some models, please contact application engineering.
- Mounting from either face using two 4.3 mm holes.

| Part Number | Curve | CFM @ 0 | VDC | Volt. Range | Power (W) | dBa | Max Amb. Temp C | Bearing Type | Features | Wgt. (lbs) |
|-------------|-------|---------|-----|-------------|-----------|-----|-----------------|--------------|-----------|------------|
| 6212NM | 2 | 206.0 | 12 | 8 to 15 | 12.0 | 50 | 72 | Ball | Terminals | 1.75 |
| 6224NM | 2 | 206.0 | 24 | 12 to 32 | 12.0 | 50 | 72 | Ball | Terminals | 1.75 |
| 6224N | 3 | 241.3 | 24 | 12 to 28 | 18.0 | 55 | 72 | Ball | Terminals | 1.75 |
| 6224N/2 | 3 | 241.3 | 24 | 12 to 28 | 18.0 | 55 | 72 | Ball | Terminals | 1.75 |
| 6224N/12 | 3 | 241.3 | 24 | 12 to 28 | 18.0 | 55 | 72 | Ball | Terminals | 1.75 |
| 6224NH | 4 | 282.5 | 24 | 12 to 28 | 26.0 | 61 | 55 | Ball | Terminals | 1.75 |
| 6248NL | 1 | 120.7 | 48 | 28 to 60 | 4.0 | 35 | 72 | Ball | Terminals | 1.75 |
| 6248NM | 2 | 206.0 | 48 | 28 to 60 | 11.5 | 50 | 72 | Ball | Terminals | 1.75 |
| 6248N | 3 | 241.3 | 48 | 28 to 60 | 17.0 | 55 | 72 | Ball | Terminals | 1.75 |
| 6248N/2 | 3 | 241.3 | 48 | 28 to 60 | 17.0 | 55 | 72 | Ball | Terminals | 1.75 |
| 6248N/12 | 3 | 241.3 | 48 | 28 to 60 | 17.0 | 55 | 72 | Ball | Terminals | 1.75 |
| 6248NH | 4 | 282.5 | 48 | 36 to 56 | 26.0 | 61 | 55 | Ball | Terminals | 1.75 |

Variofan - DC fans with temperature-dependent speed control

| | | | | | | | | | | | |
|-------------------|--------|---|-------|----|----------|-----|----|----|------|-------|------|
| 30°C ▼ 50°C | 6224NT | 1 | 120.7 | 24 | 12 to 28 | 8.5 | 35 | 72 | Ball | Leads | 1.75 |
| | | 4 | 241.3 | | | | | | | | |
| 30°C ▼ 50°C | 6248NT | 1 | 120.7 | 48 | 28 to 60 | 8.5 | 35 | 72 | Ball | Leads | 1.75 |
| | | 4 | 241.3 | | | | | | | | |



ebmpapst

e-mail: sales@us.ebmpapst.com - TEL: 860-674-1515 - FAX: 860-674-8536

ebm-papst Inc., 100 Hyde Road, Farmington, CT 06034 USA

ebm-papst Inc., 2006 © ebm-papst Inc. reserves the right to change any specifications or data without notice