



Main

Range of product	Harmony XB5R
Product or component type	Wireless and batteryless package
Device short name	XB5R
Head material	Plastic
Kit composition	1 plastic pushbutton, 1 receiver and 1 set of caps
Device composition	ZBA79 ZBRRRA ZBRT1 ZB5AZ009 ZB5RZA0

Complementary

Control type	Wireless and batteryless pushbutton Ø 22 mm assembled on fixing collar
Type of receiver	Programmable receiver (2 relays)
[Us] rated supply voltage	24...240 V AC/DC 50/60 Hz
Status LED	1 LED green and yellow for reception signal 2 LEDs green for function mode 2 LEDs green for relay ON 1 LED green for power ON

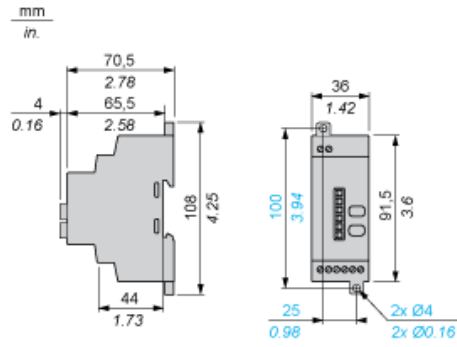
Environment

Product certifications	CSA C-Tick GOST UL ANATEL SRRC
Marking	CE
Standards	IEC 6100-4-2 IEC 6100-4-3 IEC 6100-4-4 IEC 6100-4-5 IEC 6100-4-6 IEC 6100-4-11

Offer Sustainability

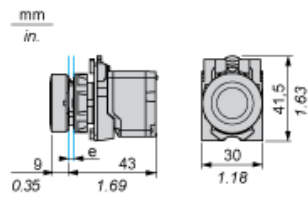
Sustainable offer status	Not Green Premium product
Product environmental profile	Available
Product end of life instruction	Available

Programmable Receiver



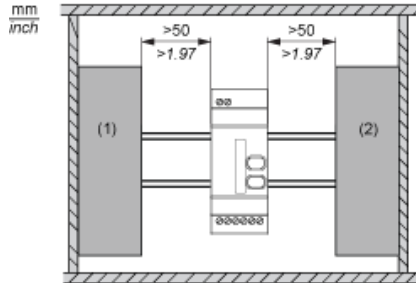
Wireless and Batteryless Pushbutton - Transmitter

With Plastic Pushbutton and Cap



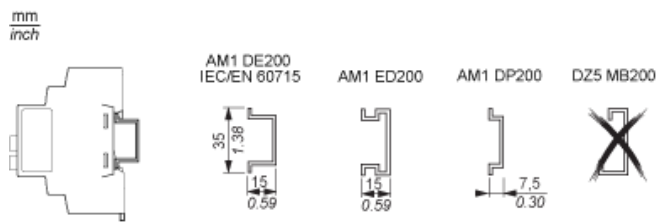
e: panel thickness 1 to 6 mm / 0.039 to 0.24 in.

Receiver Clearance



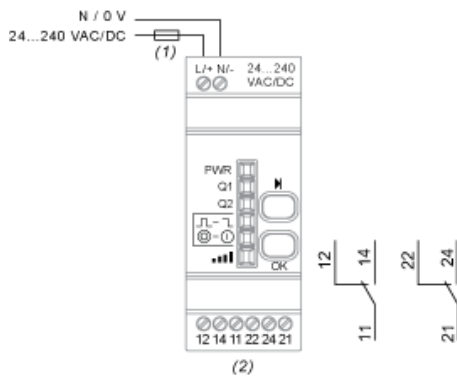
- (1) Drive
- (2) Power Supply or PLC

Receiver Mounting



Programmable Receiver

Wiring Diagram



- (1) 400 mA fast-blow fuse
- (2) $I_{max} = 3\text{ A}$