



### Main

|                           |  |
|---------------------------|--|
| Range of product          | Harmony XB5R   |
| Product or component type | Wireless and batteryless package                         |
| Device short name         | XB5R   |
| Head material             | Plastic  |
| Kit composition           | 1 plastic pushbutton, 1 receiver and 1 set of caps       |
| Device composition        | ZBA79<br>ZBRR4<br>ZBRT1<br>ZB5AZ009<br>ZB5RZA0<br>ZBRM01 |

### Complementary

|                           |  |
|---------------------------|--|
| Control type              | Wireless and batteryless pushbutton handy box assembled on fixing collar   |
| Type of receiver          | Programmable receiver (2 relays)   |
| [Us] rated supply voltage | 24...240 V AC/DC 50/60 Hz  |
| Status LED                | 1 LED green and yellow for reception signal<br>2 LEDs green for function mode<br>2 LEDs green for relay ON<br>1 LED green for power ON |

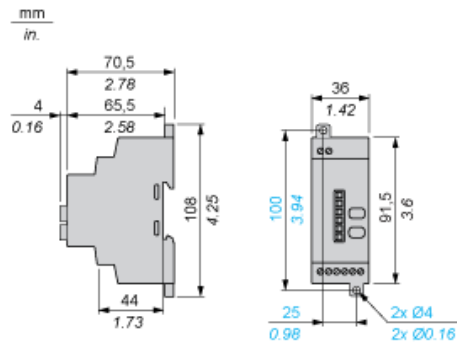
### Environment

|                        |   |
|------------------------|---|
| Product certifications | CSA<br>C-Tick<br>GOST<br>UL<br>ANATEL<br>SRRC   |
| Marking                | CE  |
| Standards              | IEC 6100-4-2<br>IEC 6100-4-3<br>IEC 6100-4-4<br>IEC 6100-4-5<br>IEC 6100-4-6<br>IEC 6100-4-11 |

### Offer Sustainability

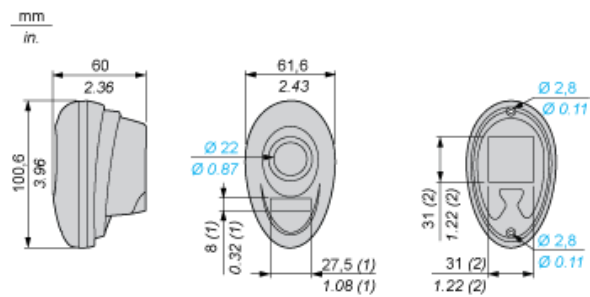
|                                 |                           |
|---------------------------------|---------------------------|
| Sustainable offer status        | Not Green Premium product |
| Product environmental profile   | Available                 |
| Product end of life instruction | Available                 |

Programmable Receiver



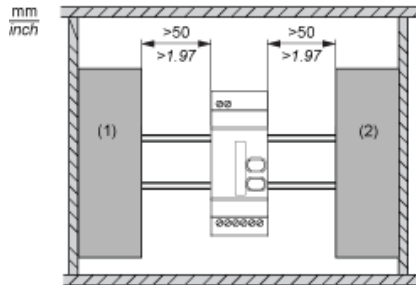
Wireless and Batteryless Pushbutton - Transmitter

Plastic Handy Box for Mobile Use



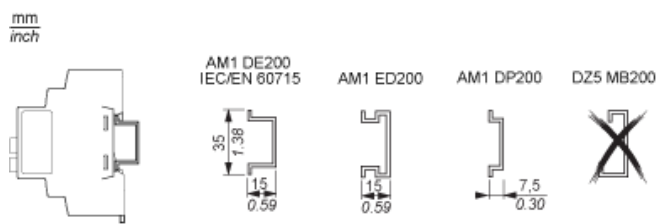
- (1) Location for ZBY0101T legend.
- (2) Location for magnet to be stuck on by the customer.

Receiver Clearance



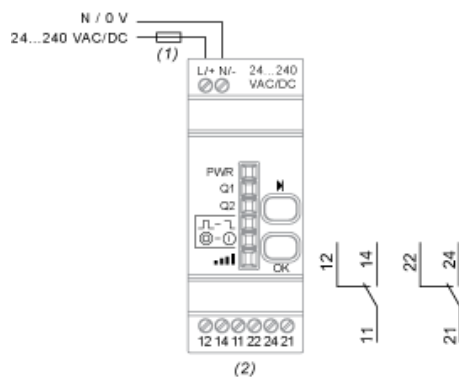
- (1) Drive
- (2) Power Supply or PLC

Receiver Mounting



## Programmable Receiver

### Wiring Diagram



- (1) 400 mA fast-blow fuse
- (2)  $I_{max} = 3\text{ A}$