

## IEC Rectangular Distribution Units

### COMPACT DISTRIBUTION UNIT



**PXD200**

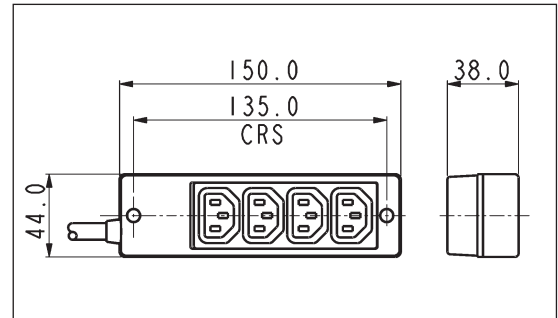
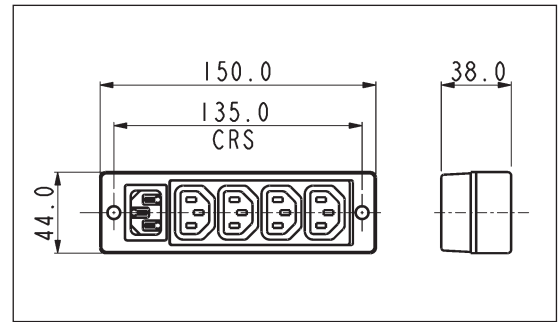
- Four Outlets
- EN60320 Inlet
- 10A, 250V ac
- cULus Approval

### COMPACT DISTRIBUTION UNIT



**PXD201**

- Four Outlets
- 2m Cable with BS1363 connector, Schuko connector (CEE7) or NEMA 5/15 connector
- 10A, 250V a.c.



### Specification

|                 |  |
|-----------------|--|
| Mouldings:      | Thermoplastic  |
| Housing:        | ABS, UL94V-0   |
| Connectors:     | BS1363, CEE7, NEMA 5/15                                    |
| Contacts:       | Outlets: Brass, Tin Plated<br>Inlets: Brass, Nickel Plated |
| Voltage Rating: | 250V a.c. 50/60Hz  |
| Current Rating: | 10A  |
| Proof Voltage:  | 2kV  |
| Temp. Range:    | -5°C to +60°C  |
| Approvals:      | cULus Listed (PXD200)                                      |
| <b>RoHS</b>     | Compliant  |

| Part No. | Inlet                      | Outlet |
|----------|----------------------------|--------|
| PXD200   | 1                          | 4      |
| PXD201   | 2m cable with BS 1363 plug | 4      |
| PXD201/1 | 2m cable with Schuko plug  | 4      |
| PXD201/2 | 2m cable with NEMA 5/15    | 4      |