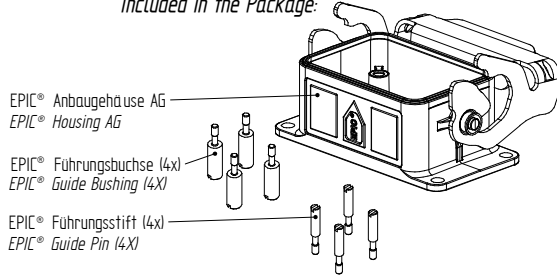
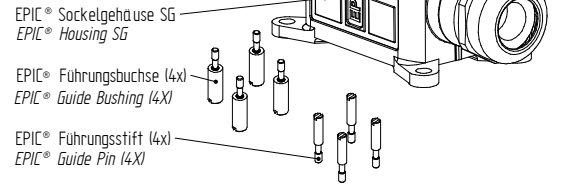


Art. Nr.: 20250206
Im Lieferumfang sind enthalten:
Included in the Package:

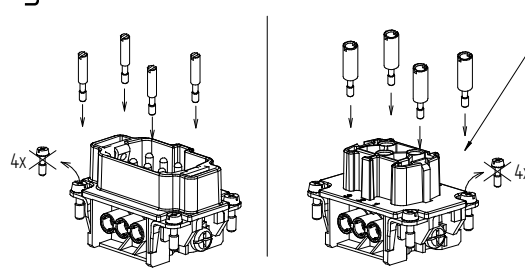


Art. Nr. 20250207
20250208
20250209

Im Lieferumfang sind enthalten:
Included in the Package:



Beispiel zur Montageanleitung *Assembly example*

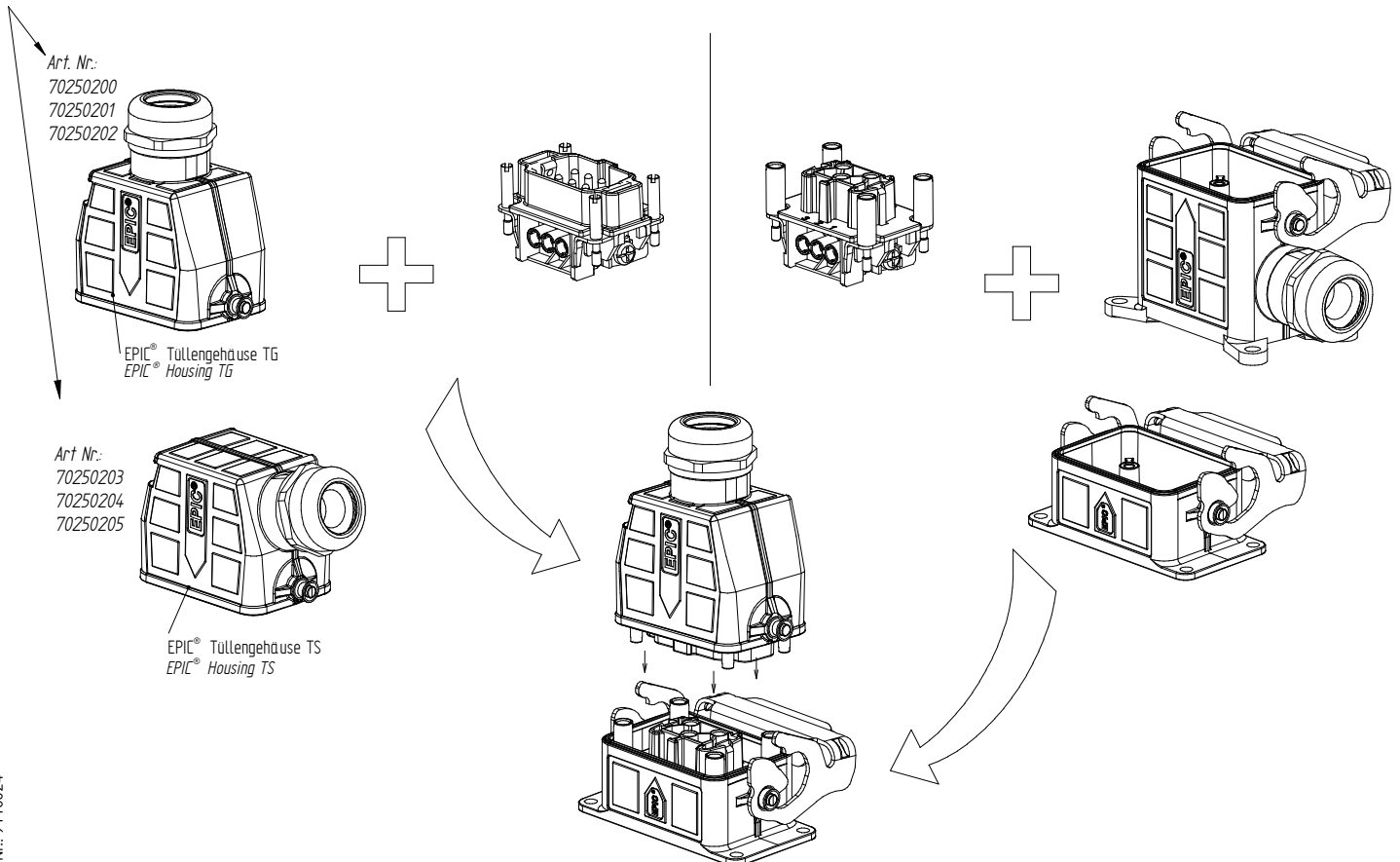


Einsetze sind nicht in Lieferung enthalten und müssen separat bestellt werden.
inserts are not included in the package, order separately.

Gehäuse TG/TS sind nicht in Lieferung enthalten und müssen separat bestellt werden.

Housings TG/TS are not included in the Package, Order Separately.

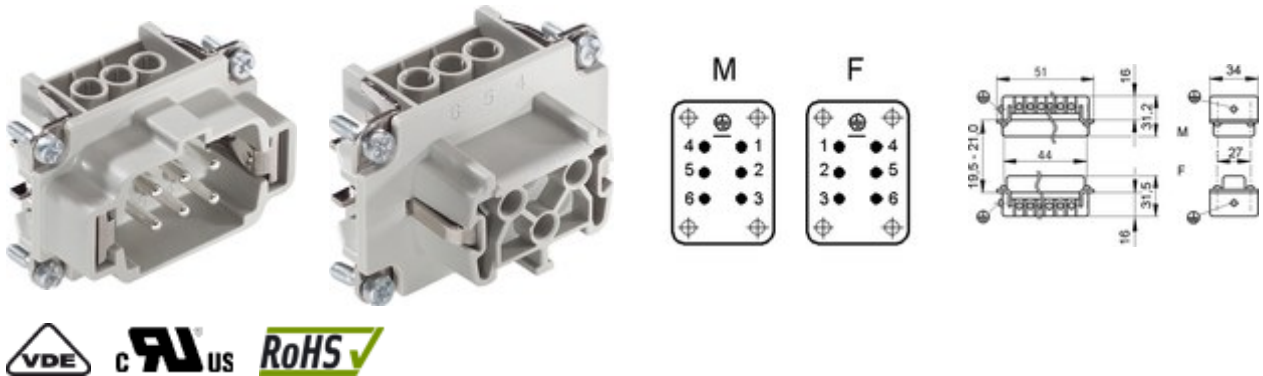
Schrauben demontieren und durch die beigefügten Stift- und Buchsen Führungselemente ersetzen.
Remove Screws and replace by Guide Elements.



Standard inserts with screw termination, crimp termination and cage clamp termination

Product Description

Standard inserts with screw, crimp and cage clamp termination; The EPIC® H-BE series is suitable for applications that require a reliable connection when working with high voltages and currents



Application range

- Mechanical engineering
- Light & sound technology
- Plastics industry

Benefits

- Standard inserts with screw, crimp and cage clamp termination
- The EPIC® H-BE series is suitable for applications that require a reliable connection when working with high voltages and currents



Technical Data

Rated voltage (V)

IEC: 500 V UL: 600 V CSA: 600 V

Rated impulse voltage

6 kV

Rated current (A)

IEC: 16 A UL: 16 A CSA: 16 A

Contact resistance

< 2 mOhm

Contacts

Copper alloy, hard silver-plated

Number of contacts

6 + PE

Termination methods

Screw termination: 0.5 - 2.5 mm²

Cycle of mechanical operation

100

Temperature range

-40 °C to +100 °C, short-term up to +125 °C

VDE-tested

Certified production control: VDE-REG. no. 437

Degree of soiling

3

Article List

Part number	Article	Version	Wire protection	Contacts	Pieces / PU
H-BE 6 screw termination					
10190000	H-BE 6 SS	male	yes	1 - 6	10
10191000	H-BE 6 BS	female	yes	1 - 6	10
10190100	H-BE 6 SS	male		1 - 6	10
10191100	H-BE 6 BS	female		1 - 6	10

Footnote:

Photographs are not to scale and do not represent detailed images of the respective products.